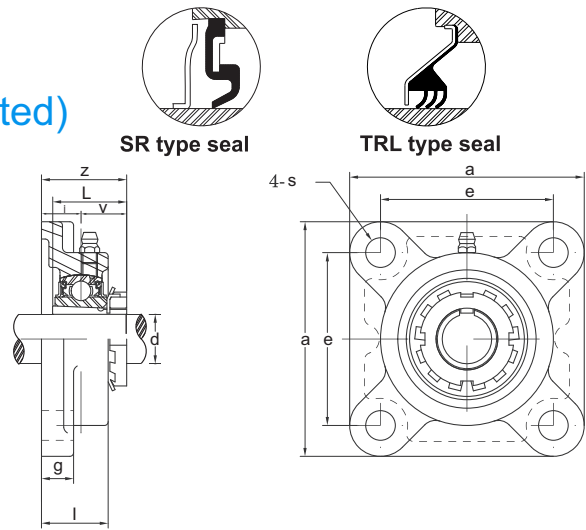


UKF 2

Flange Unit (square)(with adapter mounted)
(normal-duty)



unit No.	Shaft Dia	Dimensions (mm)									Bolt Used (mm)	Bearing No.	Housing No.	Adapter Used	Weight kg.
	d (mm)	a	e	i	g	l	s	z	L	v					
UKF 205	20	95	70	16	13	27	12	34.7	31	19.5	10	UK 205	F 205	HE 305 H 305	087
UKF 206	25	108	83	18	13	31	12	37.7	34	21	10	UK 206	F 206	HS 306 HA 306 H 306 HE 306	1.20
UKF 207	30	117	92	19	15	34	14	41.2	36	22.5	12	UK 207	F 207	HS 307 H 307 HA 307	1.50
UKF 208	35	130	102	21	15	36	16	44.7	39	24.5	14	UK 208	F 208	HE 308 HS 308 H 308	2.00
UKF 209	40	137	105	22	16	38	16	47.2	41	26	14	UK 209	F 209	HA 309 HE 309 H 309 HS 309	2.40
UKF 210	45	143	111	22	16	40	16	48.7	43	27.5	14	UK 210	F 210	HA 310 HE 310 H 310	2.60
UKF 211	50	162	130	25	18	43	19	52.7	45	28.5	16	UK 211	F 211	HS 311 HA 311 H 311 HE 311	3.50
UKF 212	55	175	143	29	18	48	19	58.0	49	31	16	UK 212	F 212	HS 312 H 312	4.30
UKF 213	60	187	149	30	22	50	19	61.5	52	33	16	UK 213	F 213	HA 313 HE 313 H 313 HS 313	5.40
UKF 215	65	200	159	34	22	56	19	68.5	56	35.5	16	UK 215	F 215	HA 315 HE 315 H 315	6.90
UKF 216	70	208	165	34	22	58	23	71.8	61	39	20	UK 216	F 216	HA 316 HE 316 H 316	7.90
UKF 217	75	220	175	36	24	63	23	75.8	64	41	20	UK 217	F 217	HA 317 H 317 HE 317	9.40
UKF 218	80	235	187	40	25	68	23	81.8	66	42	20	UK 218	F 218	H 318	11.50

