

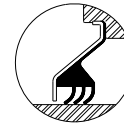
## UCFC 2

### Flange Cartridge Units

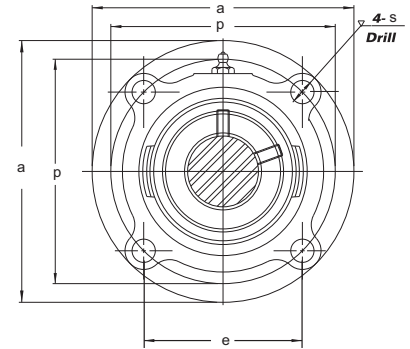
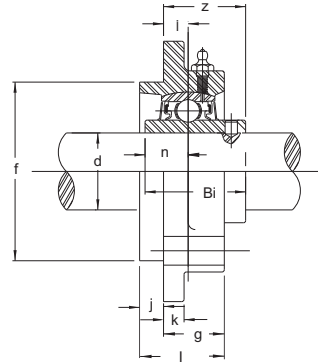
(normal-duty)



SR type seal



TRL type seal



unit No.	Shaft Dia	Dimensions (mm)													Bolt Used (mm)	Bearing No.	Housing No.	Weight kg.
	d (mm)	a	p	e	i	l	s	j	k	g	f	z	Bi	n				
UCFC <sub>201</sub> 201-8	12	100	78	55.1	10	25.5	12	5	7	20.5	62	28.3	31.0	12.7	10	UC 201 201-8	FC 204	0.78
UCFC <sub>202</sub> 202-10	15	100	78	55.1	10	25.5	12	5	7	20.5	62	28.3	31.0	12.7	10	UC 202 202-10	FC 204	0.78
UCFC <sub>203</sub>	17	100	78	55.1	10	25.5	12	5	7	20.5	62	28.3	31.0	12.7	10	UC 203	FC 204	0.78
UCFC <sub>204-12</sub> 204	20	100	78	55.1	10	25.5	12	5	7	20.5	62	28.3	31.0	12.7	10	UC 204-12 204	FC 204	0.78
UCFC <sub>205-14</sub> 205-15 205	25	115	90	63.6	10	27	12	6	7	21	70	29.7	34.0	14.3	10	UC 205-14 205-15 205	FC 205	0.95
UCFC <sub>205-16</sub> 206-18	30	125	100	70.7	10	31	12	8	8	23	80	32.2	38.1	15.9	10	UC 205-16 206-18	FC 206	1.4
UCFC <sub>206</sub> 206-19	35	135	110	77.8	11	34	14	8	9	26	90	36.4	42.9	17.5	12	UC 206 206-19	FC 207	1.7
UCFC <sub>207-20</sub> 207-21 207-22 207	40	145	120	84.8	11	36	14	10	9	26	100	41.2	49.2	19.0	12	UC 207-20 207-21 207-22 207	FC 208	2.0
UCFC <sub>207-23</sub> 208-24 208-25 208	45	160	132	93.3	10	38	16	12	14	26	105	40.2	49.2	19.0	14	UC 207-23 208-24 208-25 208	FC 209	2.8
UCFC <sub>209-26</sub> 209-27 209-28 209	50	165	138	97.6	10	40	16	12	14	28	110	42.6	51.6	19.0	14	UC 209-26 209-27 209-28 209	FC 210	3.0
UCFC <sub>210-30</sub> 210-31 210	55	185	150	106.1	13	43	19	12	15	31	125	46.4	55.6	22.2	16	UC 210-30 210-31 210	FC 211	4.0
UCFC <sub>211</sub> 211-32 211-34	60	195	160	118.1	17	48	19	12	15	36	135	56.7	65.1	25.4	16	UC 211 211-32 211-34	FC 212	4.7
UCFC <sub>212</sub> 212-36 212	65	65	170	120.2	16	50	19	14	15	36	145	55.7	65.1	25.4	16	UC 212 212-36 212	FC 213	5.4
UCFC <sub>212-38</sub> 212-39	70	70	177	125.1	17	54	19	14	18	40	150	61.4	74.6	30.2	16	UC 212-38 212-39	FC 214	6.8
UCFC <sub>213-40</sub> 213	75	75	184	130.1	18	56	19	16	18	40	160	62.5	77.8	33.3	16	UC 213-40 213	FC 215	7.3
UCFC <sub>214-44</sub> 214	80	80	200	141.4	18	58	23	16	18	42	170	67.3	82.6	33.3	20	UC 214-44 214	FC 216	8.9
UCFC <sub>215</sub> 215-48	85	85	208	147.1	18	63	23	18	20	45	180	69.6	85.7	34.1	20	UC 215 215-48	FC 217	10.4
UCFC <sub>217-52</sub> 217	90	90	220	155.5	22	68	23	18	20	50	190	78.3	96.0	39.7	20	UC 217-52 217	FC 218	13.0
UCFC <sub>218-56</sub> 218																UC 218-56 218		

