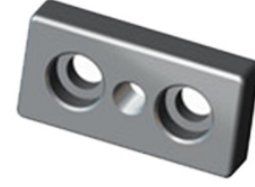
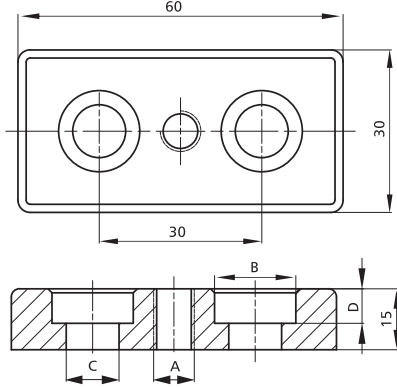


Alu Profile Accessories/Connectors/End Connectors



Item No.	A	B	C	D	Material	Finish	PCS/CTN	KGS/CTN	CTN SIZE(mm)
K3030-3-4	M8	Φ11	Φ6.6(M6)	7	Die-Cast Alu	Dull Polished	200	9.95	225*170*180
K3030-3-5	M10						200	9.85	225*170*180
K3030-3-6	M12						200	9.35	225*170*180
K3030-3-7	M14						200	9.10	225*170*180
K3030-4-4	M8	Φ15.5	Φ9(M8)	9	Die-Cast Alu	Dull Polished	200	8.60	225*170*180
K3030-4-5	M10						200	8.30	225*170*180
K3030-4-6	M12						200	8.05	225*170*180
K3030-4-7	M14						200	7.85	225*170*180

