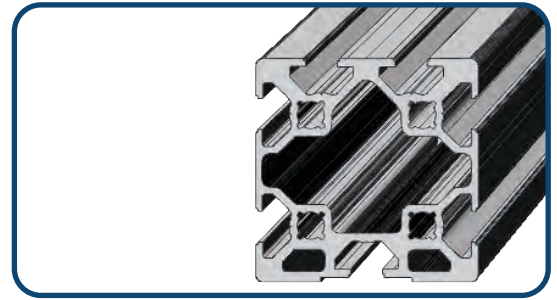
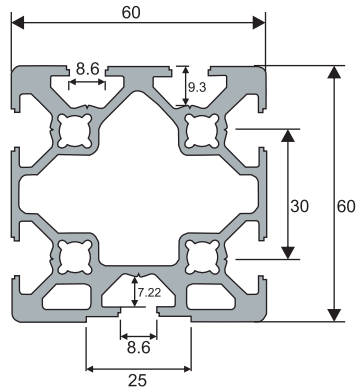
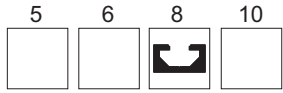


OBC-60*60 H سنگین



Part No.	Wy cm ³	Wx cm ³	Ly cm ⁴	Lx cm ⁴	L mm	coating	Material	Area cm ²	Weight kg/m
OBC-60*60 H	-	-	-	-	6000	Anodizad	AL-6063	-	2.700

L(Standard) : 6050 mm



