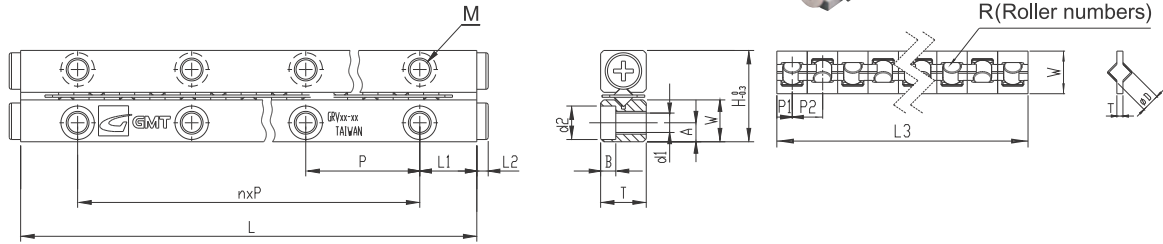


Linear Motion Component ◉ Guides & Bearings ◉ Silde Rail Set

GRVP



Model No.	Max. Stroke (mm)	Main Dimensions (mm)							Retainer Dimensions (mm)				
		H	T	W	L	n*p	L1	L2	ØD	L3	R	P1	P2
GRVP01-20	8.4	8.5	4	3.9	20	1*10	5	1.3	Ø1.5	15.8	5	1.9	3
GRVP01-30	16.4				30	2*10				21.8	7		
GRVP01-40	24.4				40	3*10				27.8	9		
GRVP01-50	32.4				50	4*10				33.8	11		
GRVP01-60	40.4				60	5*10				39.8	13		
GRVP01-70	48.4				70	6*10				45.8	15		
GRVP01-80	56.4				80	7*10				51.8	17		
GRVP02-30	16.8	12	6	5.5	30	1*15	7.5	1.5	Ø2	21.6	5	2.8	4
GRVP02-45	22.8				45	2*15				33.6	8		
GRVP02-60	36.8				60	3*15				41.6	10		
GRVP02-75	50.8				75	4*15				49.6	12		
GRVP02-90	64.8				90	5*15				57.6	14		
GRVP02-105	78.8				105	6*15				65.6	16		
GRVP02-120	92.8				120	7*15				73.6	18		
GRVP02-135	98.8				135	8*15				85.6	21		
GRVP02-150	112.8				150	9*15				93.6	23		
GRVP02-165	126.8				165	10*15				101.6	25		
GRVP02-180	140.8	180	11*15	109.6	27								
GRVP03-50	27.2	18	8	8.3	50	1*25	12.5	2	Ø3	36.4	7	3.2	5
GRVP03-75	47.2				75	2*25				51.4	10		
GRVP03-100	67.2				100	3*25				66.4	13		
GRVP03-125	97.2				125	4*25				76.4	15		
GRVP03-150	117.2				150	5*25				91.4	18		
GRVP03-175	137.2				175	6*25				106.4	21		
GRVP03-200	157.2				200	7*25				121.4	24		
GRVP03-225	177.2				225	8*25				136.4	27		
GRVP03-250	197.2				250	9*25				151.4	30		
GRVP03-275	217.2				275	10*25				166.4	33		
GRVP03-300	237.2				300	11*25				181.4	36		

Ordering Example : GR Roller - V V rail - P POM Retainer - 06 Roller dia. - 100 Rail length - P Precision Level

GRVP

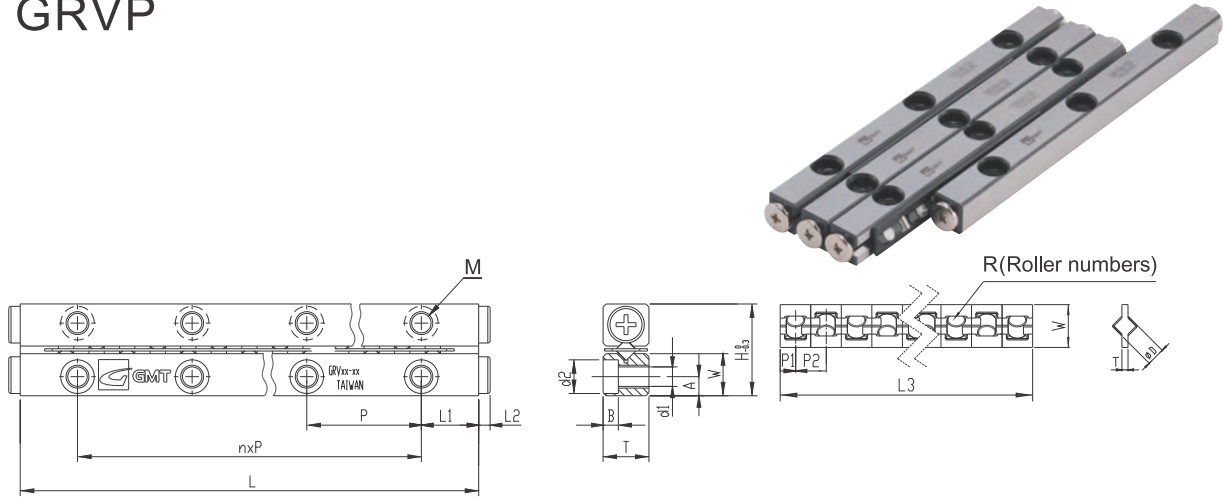


Material Specification

Material Component	Rail	Roller	Retainer
Model No.			
GRVP	SUJ2		POM

Mounting Dimensions (mm)					Load Per Roller			Weight (g) / 2 Pieces
A	M	d1	d2	B	Basic Dynamic Load Rating	Basic Static Load Rating	Allowable Load	Standard
1.8	M2	1.65	3	1.4	125N/1pcs	144N/1pcs	48N/1pcs	4.0
								6.0
								8.0
								10.0
								12.0
								14.0
								16.0
2.5	M3	2.55	4.4	2	293N/1pcs	292N/1pcs	97N/1pcs	13.0
								20.0
								26.0
								32.0
								39.0
								45.0
								51.0
								58.0
								64.0
								70.0
77.0								
3.5	M4	3.3	6	3.1	638N/1pcs	761N/1pcs	254N/1pcs	46.0
								68.0
								90.0
								112.0
								134.0
								157.0
								179.0
								201.0
								223.0
								245.0
267.0								

GRVP



Model No.	Max. Stroke (mm)	Main Dimensions (mm)							Retainer Dimensions (mm)				
		H	T	W	L	n*p	L1	L2	ØD	L3	R	P1	P2
GRVP04-80	44.8	21	11	10	80	1*40	20	2	Ø4	57.6	8	4.3	7
GRVP04-120	82.8				120	2*40				78.6	11		
GRVP04-160	120.8				160	3*40				99.6	14		
GRVP04-200	144.8				200	4*40				127.6	18		
GRVP04-240	182.8				240	5*40				148.6	21		
GRVP04-280	220.8				280	6*40				169.6	24		
GRVP04-320	244.8				320	7*40				197.6	28		
GRVP04-360	282.8				360	8*40				218.6	31		
GRVP04-400	320.8				400	9*40				239.6	34		
GRVP04-440	344.8				440	10*40				267.6	38		
GRVP04-480	382.8				480	11*40				288.6	41		
GRVP06-100	70.4	31	15	14	100	1*50	25	2	Ø6	64.8	7	5.4	9
GRVP06-150	98.4				150	2*50				100.8	11		
GRVP06-200	144.4				200	3*50				127.8	14		
GRVP06-250	190.4				250	4*50				154.8	17		
GRVP06-300	236.4				300	5*50				181.8	20		
GRVP06-350	264.4				350	6*50				217.8	24		
GRVP06-400	310.4				400	7*50				244.8	27		
GRVP06-450	356.4				450	8*50				271.8	30		
GRVP06-500	402.4				500	9*50				298.8	33		
GRVP06-550	448.4				550	10*50				325.8	36		
GRVP06-600	476.4				600	11*50				361.8	40		

Ordering Example :	GR	V	P	06	100	P
	Roller	V rail	POM Retainer	Roller dia.	Rail length	Precision Level

GRVP



Material Specification

Material / Component / Model No.	Rail	Roller	Retainer
GRVP	SUJ2		POM

Mounting Dimensions (mm)					Load Per Roller			Weight (g) / 2 Pieces
A	M	d1	d2	B	Basic Dynamic Load Rating	Basic Static Load Rating	Allowable Load	Standard
4.5	M5	4.3	7.5	4.1	1230N/1pcs	1170N/1pcs	390N/1pcs	122
								180
								238
								296
								355
								413
								472
								530
								589
								647
6	M6	5.3	9.5	5.2	2570N/1pcs	2632N/1pcs	877N/1pcs	706
								287
								435
								577
								721
								864
								1006
								1150
								1292
								1436
1579								
1273								