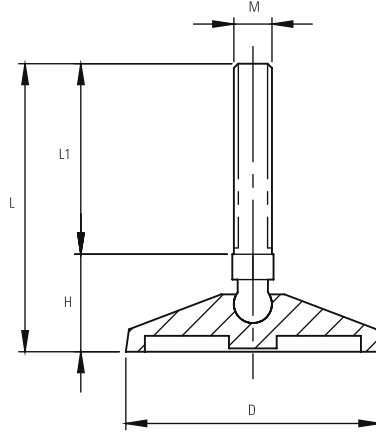


EP80 SERIES (13 SW) Ø80 Polyamide Articulated Feet

CODE	D (mm)	M	L (mm)	L1 (mm)	H (mm)	Load kg / pcs
EP80 0845	80	M8x45	75	45	30	600
EP80 0860	80	M8x60	90	60	30	600
EP80 1045	80	M10x45	75	45	30	600
EP80 1060	80	M10x60	90	60	30	600
EP80 1075	80	M10x75	105	75	30	600
EP80 1090	80	M10x90	120	90	30	600
EP80 1012	80	M10x120	150	120	30	600
EP80 1245	80	M12x45	75	45	30	600
EP80 1260	80	M12x60	90	60	30	600
EP80 1275	80	M12x75	105	75	30	600
EP80 1290	80	M12x90	120	90	30	600
EP80 1212	80	M12x120	150	120	30	600



Material: GLASS FIBER REINFORCED POLYAMID BASE

Metal: ST 37,

Coating: WHITE CR + 3 COATED PLATE

Add (L) to the standard product code for the anti-slip rubber pad and (S) for the addition of nut

