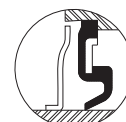
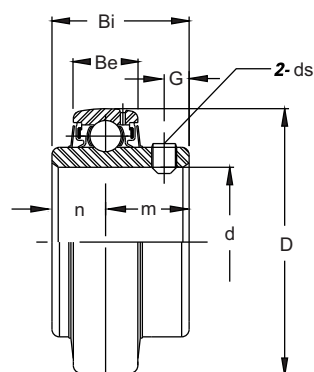
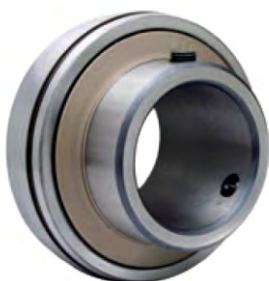


## UC 2

### Ball Bearings (normal-dury)



SR type seal



TRL type seal

Suffix G5 : Inch sized set screws

Bearing No.	Bore Dia of Bearing	Dimensions (mm)							Basic Load Rating kg.	Basic Static Load Rating kg.	Weight kg.
	d (mm)	D	Bi	Be	n	m	G	ds			
UC 201 201-8	12	47	31.0	16	12.7	18.3	5	M6x1.0	1280	750	0.21 0.21
UC 202 202-10	15	47	31.0	16	12.7	18.3	5	M6x1.0	1280	750	0.19 0.19
UC 203	17	47	31.0	16	12.7	18.3	5	M6x1.0	1280	750	0.18
UC 204-12 204	20	47	31.0	16	12.7	18.3	5	M6x1.0	1280	750	0.16 0.16
UC 205-14 205-15 205 205-16	25	52	34.0	17	14.3	19.7	5.5	M6x1.0	1400	790	0.23 0.21 0.20 0.20
UC 206-18 206 206-19	30	62	38.1	19	15.9	22.2	6	M6x1.0	1950	1130	0.34 0.32 0.32
UC 207-20 207-21 207-22 207 207-23	35	72	42.9	20	17.5	25.4	6.5	M8x1.0	2570	1540	0.54 0.51 0.48 0.48 0.45
UC 208-24 208-25 208	40	80	49.2	21	19.0	30.2	8	M8x1.0	2910	1790	0.68 0.65 0.65
UC 209-26 209-27 209-28 209	45	85	49.2	22	19.0	30.2	8	M8x1.0	3270	2040	0.74 0.74 0.70 0.68
UC 210-30 210-31 210	50	90	51.6	23	19.0	32.6	9	M10x1.25	3510	2320	0.87 0.82 0.80
UC 211-32 211-34 211 211-35	55	100	55.6	25	22.2	33.4	9	M10x1.25	4330	2940	1.26 1.15 1.11 1.09
UC 212-36 212 212-38 212-39	60	110	65.1	26	25.4	39.7	10.5	M10x1.25	5240	3610	1.67 1.54 1.52 1.45
UC 213-40 213	65	120	65.1	28	25.4	39.7	12	M10x1.25	5720	4000	1.94 1.86
UC 214-44 214	70	125	74.6	29	30.2	44.4	12	M12x1.5	6220	4400	2.06 2.05
UC 215 215-48	75	130	77.8	30	33.3	44.5	12	M12x1.5	6740	4820	2.21 2.12
UC 216	80	140	82.6	32	33.3	49.3	14	M12x1.5	7260	5300	2.79
UC 217-52 217	85	150	85.7	34	34.1	51.6	14	M12x1.5	8390	6180	3.66 3.45
UC 218-56 218	90	160	96.0	36	39.7	56.3	15	M12x1.5	9600	7140	4.46 4.35

