

## UKP 2

Pillow Blocks

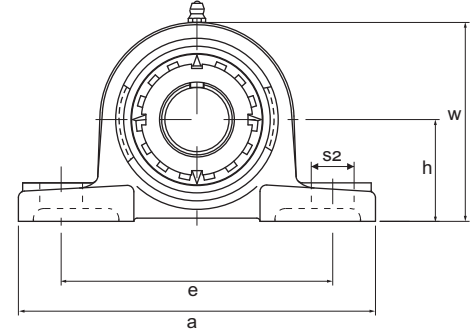
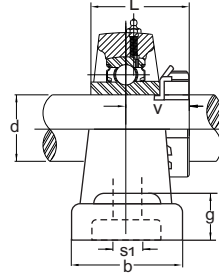
(with adapter mounted)



SR type seal



TRL type seal



unit No.	Shaft Dia	Dimensions (mm)										Bolt Used (mm)	Bearing No.	Housing No.	Adapter Used	Weight kg.
	d (mm)	h	a	e	b	s2	s1	g	w	L	v					
UKP 205	20	36.5	140	105	38	19	13	13	71	31	19.5	10	UK 205	P 205	HE 305 H 305	0.84
UKP 206	25	42.9	165	121	48	21	17	15	84	34	21	14	UK 206	P 206	HS 306 HA 306 H 306 HE 306	1.40
UKP 207	30	47.6	167	127	48	21	17	16	93	36	22.5	14	UK 207	P 207	HS 307 H 307 HA 307	1.60
UKP 208	35	49.2	184	137	54	21	17	17	98	39	24.5	14	UK 208	P 208	HE 308 HS 308 H 308	2.00
UKP 209	40	54.0	190	146	54	21	17	17	106	41	26	14	UK 209	P 209	HA 309 HE 309 H 309 HS 309	2.30
UKP 210	45	57.2	206	159	60	22	20	19	113	43	27.5	16	UK 210	P 210	HA 310 HE 310 H 310	2.90
UKP 211	50	63.5	219	171	60	22	20	19	125	45	28.5	16	UK 211	P 211	HS 311 HA 311 H 311 HE 311	3.50
UKP 212	55	69.8	241	184	70	25	20	22	138	49	31	16	UK 212	P 212	HS 312 H 312	4.80
UKP 213	60	76.2	265	203	70	30	25	25	150	52	33	20	UK 213	P 213	HA 313 HE 313 H 313 HS 313	5.70
UKP 215	65	82.6	275	217	74	30	25	28	162	56	35.5	20	UK 215	P 215	HA 315 HE 315 H 315	8.00
UKP 216	70	88.9	292	232	78	35	25	32	174	61	39	20	UK 216	P 216	HA 316 HE 316 H 316	8.40
UKP 217	75	95.2	310	247	83	40	25	32	185	64	41	20	UK 217	P 217	HA 317 H 317 HE 317	12.00
UKP 218	80	101.6	327	262	88	45	27	27	198	66	42	22	UK 218	P 218	H 318	14.10

