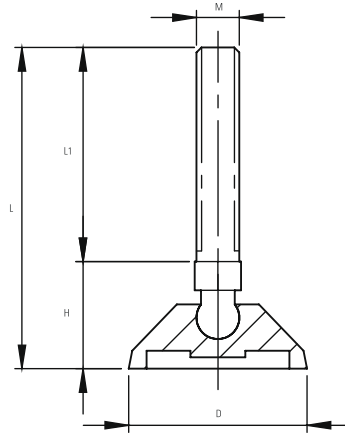


EP50 SERIES (13 SW) Ø50 Polyamide Articulated Feet

CODE	D (mm)	M	L (mm)	L1 (mm)	H (mm)	Load kg / pcs
EP50 0845	50	M8x45	75	45	30	450
EP50 0860	50	M8x60	90	60	30	450
EP50 1045	50	M10x45	75	45	30	450
EP50 1060	50	M10x60	90	60	30	450
EP50 1075	50	M10x75	105	75	30	450
EP50 1090	50	M10x90	120	90	30	450
EP50 1012	50	M10x120	150	120	30	450
EP50 1245	50	M12x45	75	45	30	450
EP50 1260	50	M12x60	90	60	30	450
EP50 1275	50	M12x75	105	75	30	450
EP50 1290	50	M12x90	120	90	30	450
EP50 1212	50	M12x120	150	120	30	450



Material: GLASS FIBER REINFORCED POLYAMID BASE

Metal: ST 37,

Finish: WHITE CR + 3 COATED PLATE

Add (L) to the standard product code for the anti-slip rubber pad and (S) for the addition of nut

