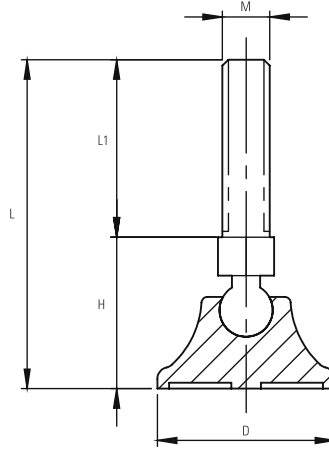


EP60 SERIES (19 - 22 SW) Ø60 Polyamide Articulated Feet

CODE	D (mm)	M	L (mm)	L1 (mm)	H (mm)	Load kg / pcs
EP60 1050	60	M10x50	100	50	50	500
EP60 1010	60	M10x100	150	100	50	500
EP60 1250	60	M12x50	100	50	50	500
EP60 1210	60	M12x100	150	100	50	500
EP60 1660	60	M16x60	110	60	50	500
EP60 1611	60	M16x110	160	110	50	500
EP60 1615	60	M16x150	200	150	50	500
EP60 1620	60	M16x200	250	200	50	500
EP60 2011	60	M20x110	160	110	50	500
EP60 2015	60	M20x150	200	150	50	500
EP60 2020	60	M20x200	250	200	50	500
EP60 2411	60	M24x110	160	110	50	500



Material: GLASS FIBER REINFORCED POLYAMID BASE

Metal: ST 37

Coating: WHITE CR + 3 COATED PLATE

Add (L) to the standard product code for the anti-slip rubber pad and (S) for the addition of nut

