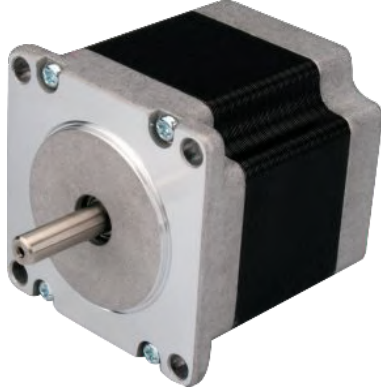


Model	Matching Drivers
35HS01	M422
39HS02	M422
42HS03	M422
57HS09	M542
57HS13	M542
57HS22	M542
86HS35	MA860H/M880A/M542
86HS45	MA860H/M880A
86HS85	MA860H/M880A
86HS120	MA860H/M880A
110HS12	DM1182/DM2282
110HS20	DM1182/DM2282
110HS28	DM1182/DM2282
130HS27	DM1182/DM2282
130HS33	DM1182/DM2282
130HS40	DM1182/DM2282
130HS45	DM1182/DM2282
573S09	3DM580/3DM683
573S15	3DM580/3DM683
863S22	3DM683/3DM580
863S42	3DM683/3DM580
863S68H	3DM683/3DM580



## 57HS Series Hybrid Stepping Motors



### General Specifications

Step Angle Degree	1.8°
Step Angle Accuracy	±5%(full step no load)
Temperature Rise	80°CMax
Ambient Temperature	-10°C — +50°C
Insulation Resistance	100MΩmin.500VDC
Dielectric Strength	500VAC for one minute
Shaft Radial Play	0.06 Max.(450g-load)
Shaft Axial Play	0.08 max.(450g-load)

### Electrical Specifications

Model Number	Connection	Motor Length L inch (mm)	Holding Torque Oz-in (Nm)	Number of Leads	Phase Current (Amps)	Phase Resistance (Ohm)	Phase Inductance (mH)	Rotor Inertia Oz-in-sec <sup>2</sup> (g.cm <sup>2</sup> )	Detent Torque Oz-in (g.cm)	Weight Oz (kg)
57HS04	(Bipolar) Series	1.61 (41)	56.64 (0.4)	6	2.0	1.4±10%	1.4±20%	0.001917 (135)	-	15.87 (0.45)
	Unipolar		39.65 (0.28)		2.8	0.7±10%	0.35±20%			
57HS09	(Bipolar) Parallel	2.13 (54)	184.08 (1.3)	8	4.0	0.4±10%	1.2±20%	0.003692 (260)	5.664 (408)	21.16 (0.6)
	(Bipolar) Series		184.08 (1.3)		2.0	1.6±10%	4.8±20%			
	Unipolar		127.44 (0.9)		2.8	0.8±10%	1.2±20%			
57HS13	(Bipolar) Parallel	2.99 (76)	254.88 (1.8)	8	4.0	0.5±10%	2.1±20%	0.006532 (460)	9.912 (714)	35.27 (1.0)
	(Bipolar) Series		254.88 (1.8)		2.0	2.0±10%	8.4±20%			
	Unipolar		184.08 (1.3)		2.8	1.0±10%	2.1±20%			
57HS22	(Bipolar) Parallel	3.19 (81)	311.52 (2.2)	8	5.7	0.4±10%	1.8±20%	0.006816 (480)	-	40.57 (1.15)
	(Bipolar) Series		311.52 (2.2)		2.8	1.6±10%	7.2±20%			
	Unipolar		212.4 (1.5)		4.0	0.8±10%	1.8±20%			

\* Above motor is our typical model, and if you need a customization motor, please contact us.

### Mechanical Specifications (Unit=mm, 1inch=25.4mm)

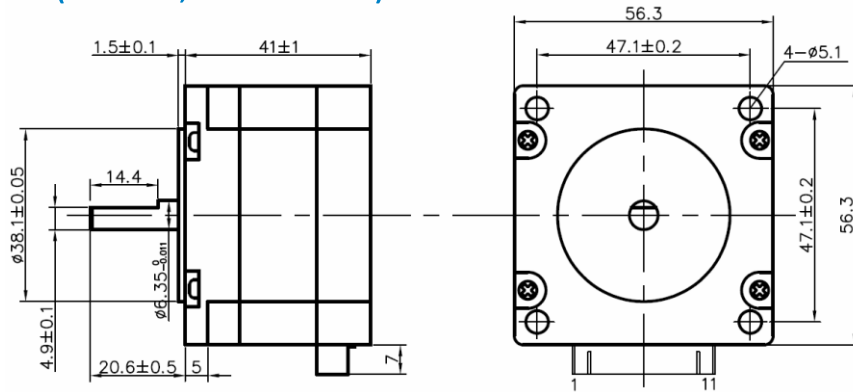


Figure 1: Mechanical specification of 57HS04



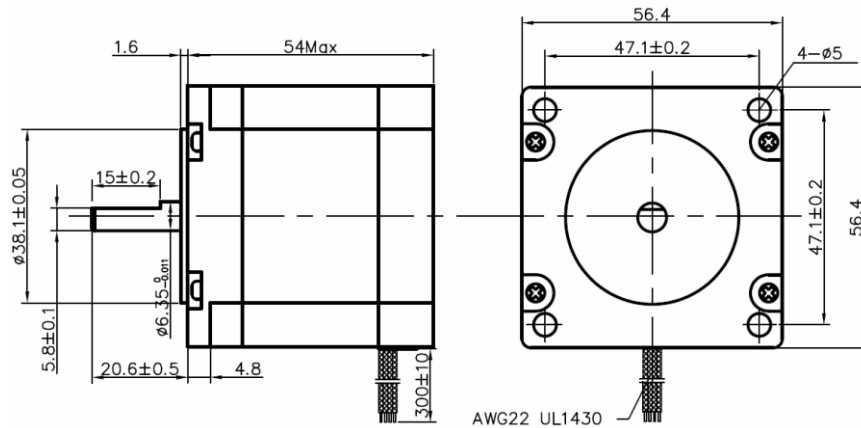


Figure 2: Mechanical specification of 57HS09

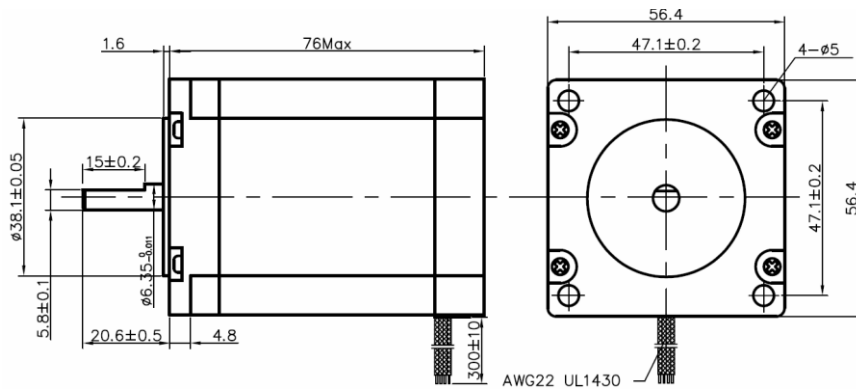


Figure 3: Mechanical specification of 57HS13

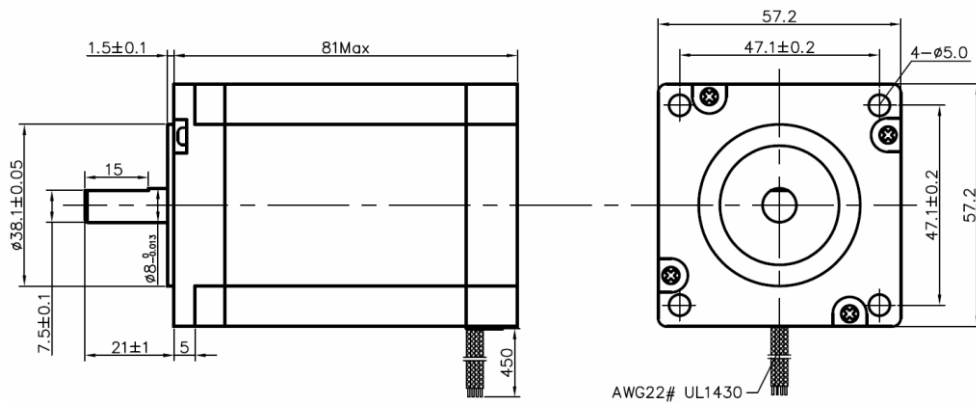
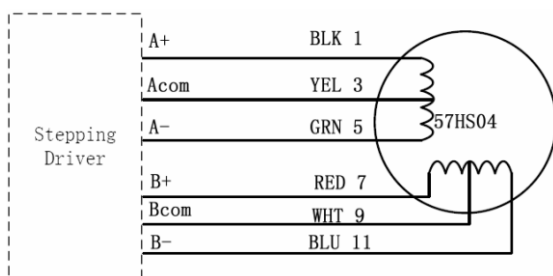
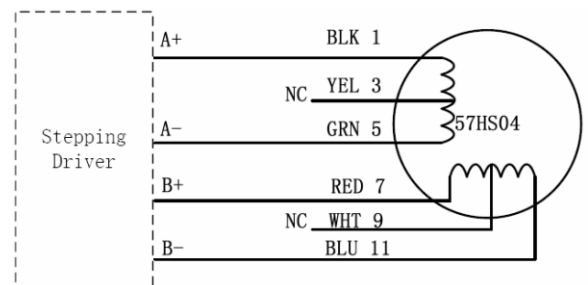


Figure 4: Mechanical specification of 57HS22

## Wiring Diagram

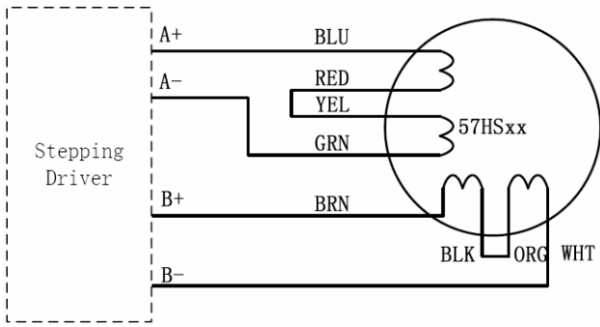


a! 57HS04 unipolar connection

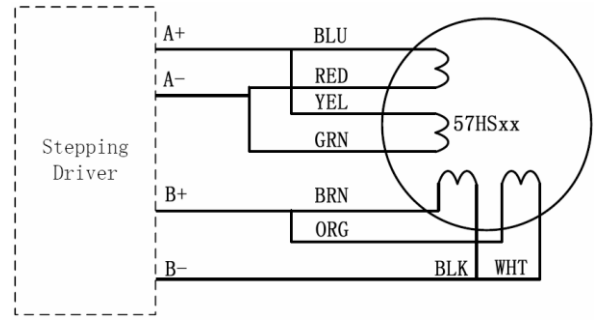


b! 57HS04 bipolar (series) connection

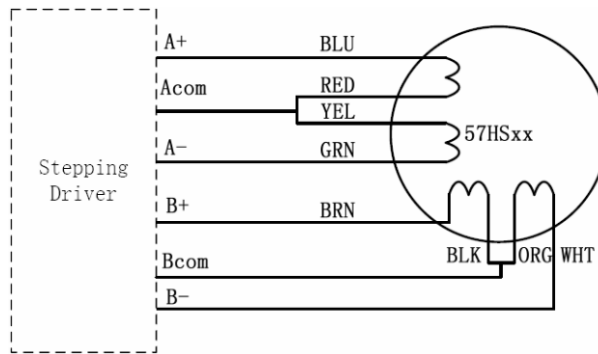




c! 57HSxx series connection(8leads)



d! 57HSxx parallel connection(8leads)



e! 57HSxx unipolar connection(8leads)

Figure 5: Wiring diagrams

## Speed-Torque Characteristics

Unipolar and bipolar half coil, because we're using less turns, doesn't give us great low speed torque, but because of the low inductance, holds the torque out to high speeds. Bipolar series uses the full coil so it gives very good low speed torque. But because of the high inductance, the torque drops off rapidly. Bipolar parallel also uses the full coil so it gives good low speed performance. And its low inductance allows the torque to be held out to high speeds. But remember, we must increase current by 40% to get those advantages. Speed-torque curves show the maximum torques that can be output at a given speed. When selecting a motor, make sure the required torque falls within the particular curve.

### • 57HS04

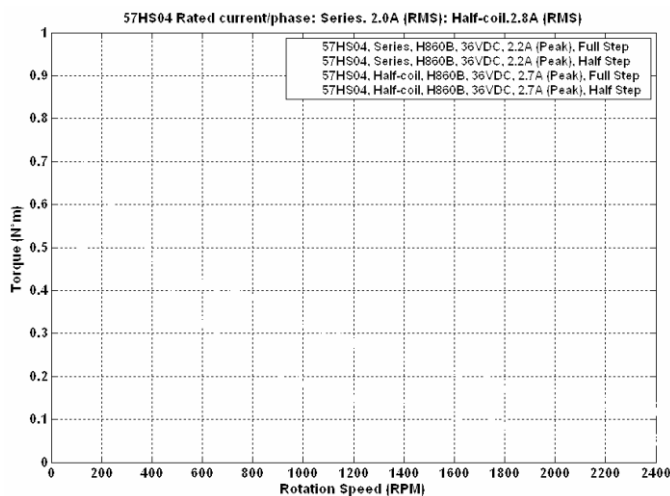


Figure 6: Speed-torque curves of the 57HS04

### • 57HS09

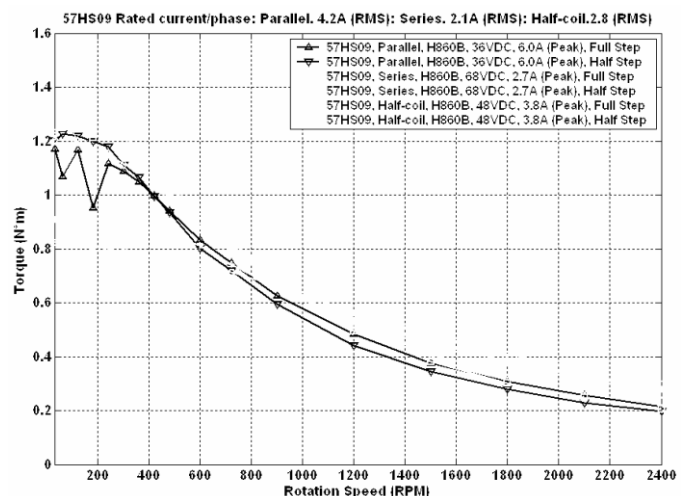


Figure 7: Speed-torque curves of the 57HS09



## • 57HS13

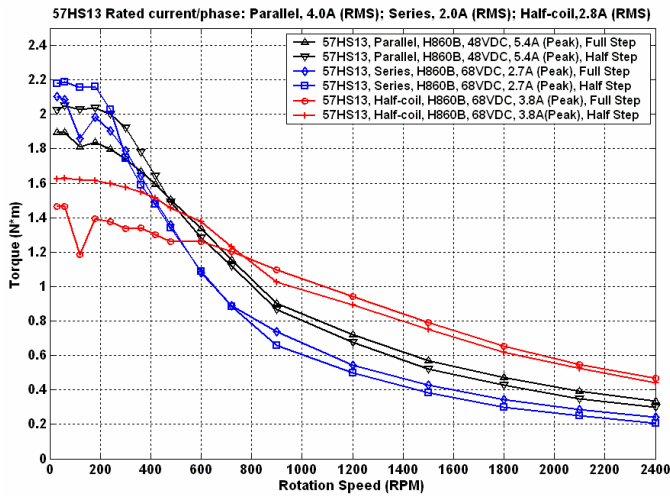


Figure 8: Speed-torque curves of the 57HS13

## • 57HS22

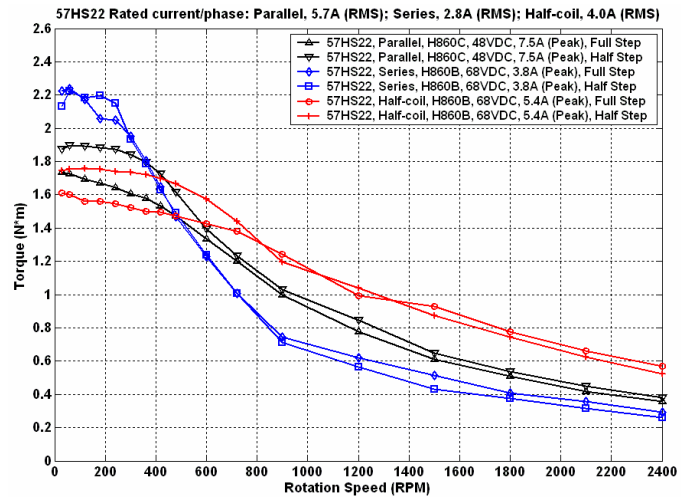


Figure 9: Speed-torque curves of the 57HS22

### Remarks:

1. Title "57HS09 Rated current/phase: Parallel, 4.2A (RMS); Series, 2.1A (RMS); Half-coil, 2.8A (RMS)" means "When the 57HS09 used in parallel mode, its current/phase is 4.2A (RMS); When the 57HS09 used in series mode, its current/phase is 2.1A (RMS); When the 57HS09 used in half-coil or unipolar mode, its current/phase is 2.8A (RMS)".
2. Legend "57HS09, Parallel, H860B, 36VDC, 6.0A (Peak), Half Step" means "This speed-torque curve of the 57HS09 (connected in parallel mode) was done with the H860B driver. The settings of the H860B are 6.0A (Peak), Half Step and use 36VDC power supply".
3. The actual characteristics will vary depending on the driver used. Please use these curves only for reference purposes when selecting a motor. You must also conduct a thorough evaluation with the actual driver to be used. Please consult "Leadshine Motor and Driver Packages" for more information about this issue.

