

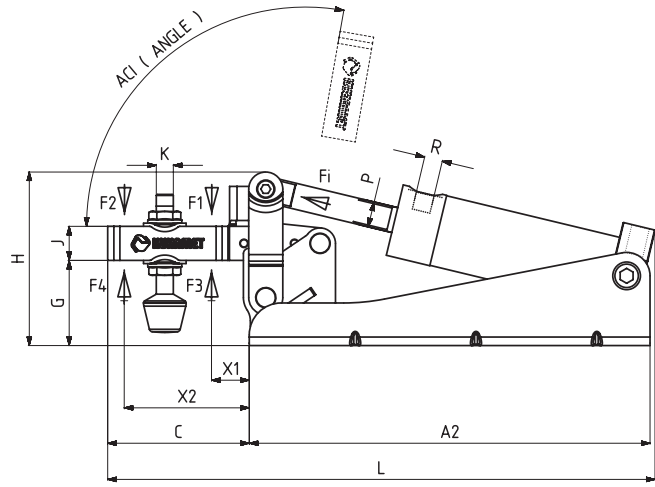
Pneumatic Toggle Clamps

MODEL NO	F1 (N)	F2 (N)	F3 (N)	F4 (N)	Fİ (N)	Vn (dm ³)	(ANGLE) (± 5°)	(WEIGHT) (gr)	BAR
631-1	750	500	1000	680	190	0,14	95°	470	6
631-2	1200	700	1400	925	300	0,25	95°	765	6
631-3	2000	1400	2500	1560	500	0,51	95°	1100	6
631-4	3000	2000	3300	2200	750	1,04	95°	2020	6
631-5	4500	2500	5000	3000	1100	2	95°	3610	6

F1 - F2 : BASKI KUVVETİ (EXERTING FORCE) , F3 - F4 : TUTMA KAPASİTESİ (HOLDING CAPACITY) , Fİ : UYGULAMA KUVVETİ (APPLIED FORCE)

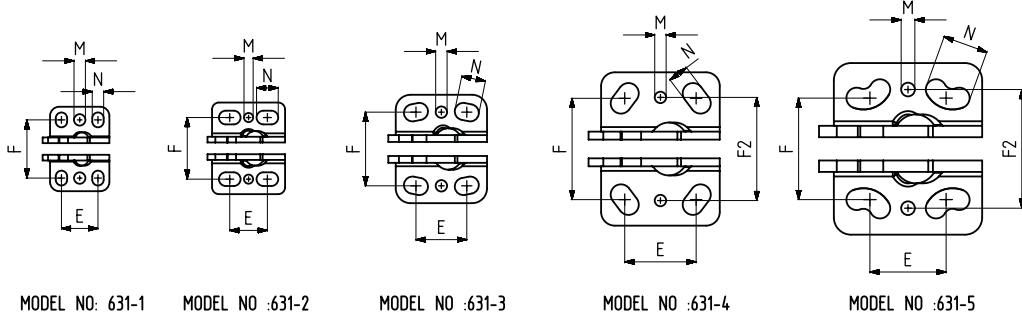
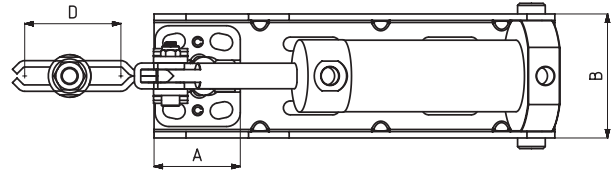
Vn , 6 BAR BASINÇTA ÇİFT HAREKET İÇİN HAVA TÜKETİM MİKTARIDIR (Vn , AIR CONSUMPTION PER DOUBLE STROKE İN dm³ AT 6 BAR)

631



Body Mounting Base Horizontal, Tied Behind

Pneumatic cylinders are double acting, magnetic and cushioning



MODEL NO: 631-1

MODEL NO :631-2

MODEL NO :631-3

MODEL NO :631-4

MODEL NO :631-5

MODEL NO	A	A2	B	C	D	E	F	F2	G	H	J	K	L	M	N	X1	X2	P	R	PISTON Ø
631-1	26	155	44	42	26	16	24 - 27	25,5	25	52	10	M5	198	Ø5	5 x 6,5	16	32	Ø 8	G1/8	20
631-2	32	171	51	60	42	13 - 20	27	27	29	61	13	M6	232	Ø4	6 x 9,5	18	48	Ø 10	G1/8	25
631-3	40	188	58	66,5	42	19 - 25	31,5 - 32,5	32,3	40	81	16	M 8	257	Ø5	7,5 x 10,5	25	52	Ø 12	G1/8	32
631-4	52	227	77	98,5	67	28 - 34,5	40 - 48,5	45,2	50	104	20	M10	330	Ø5	9 x 14,5	32	80	Ø 16	G1/8	40
631-5	65	275	92	125	88	24,5 - 45	44,5 - 52	52	62	128	25	M12	400	Ø6	9 x 19,5	36	101	Ø 20	G1/8	50



تلفن : (021) 33913364 - 33951660

فکس : (021) 33985603