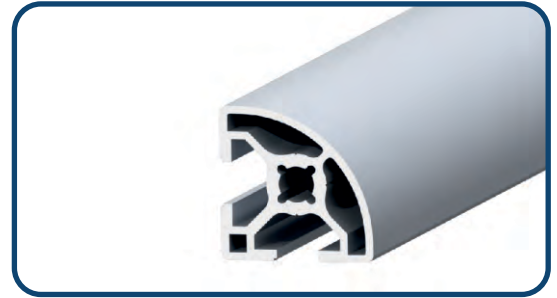
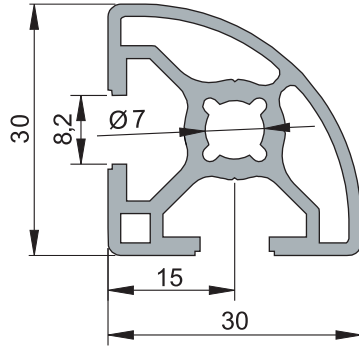
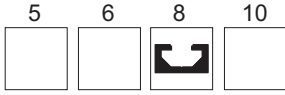


OBC-30*30 R



Part No.	Wy cm ³	Wx cm ³	Ly cm ⁴	Lx cm ⁴	L mm	coating	Material	Area cm ²	Weight kg/m
OBC-30*30 R	1.30	1.30	2.15	2.15	6000	Anodizad	AL-6063	2.78	0.820

L(Standard) : 6050 mm



