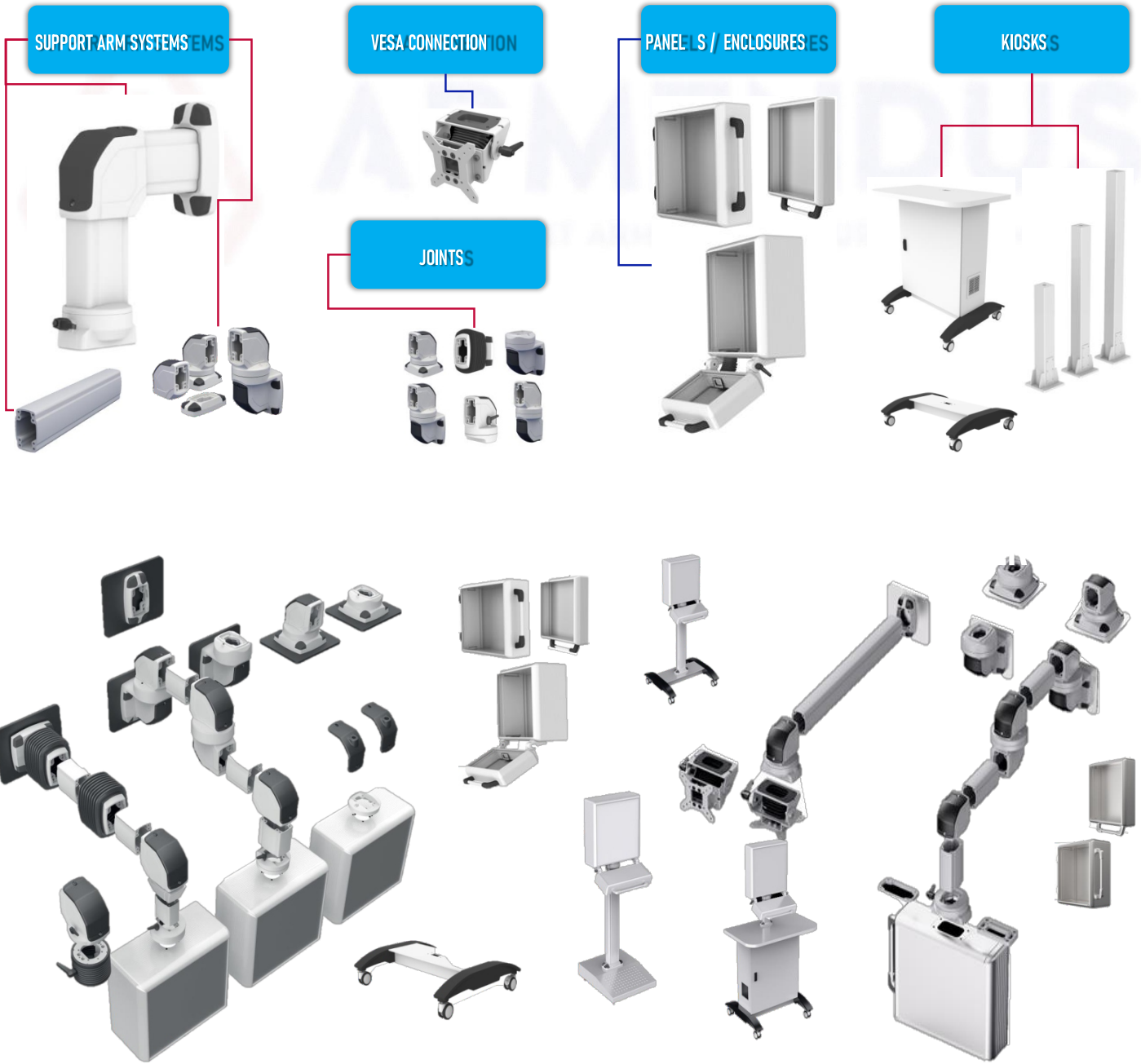
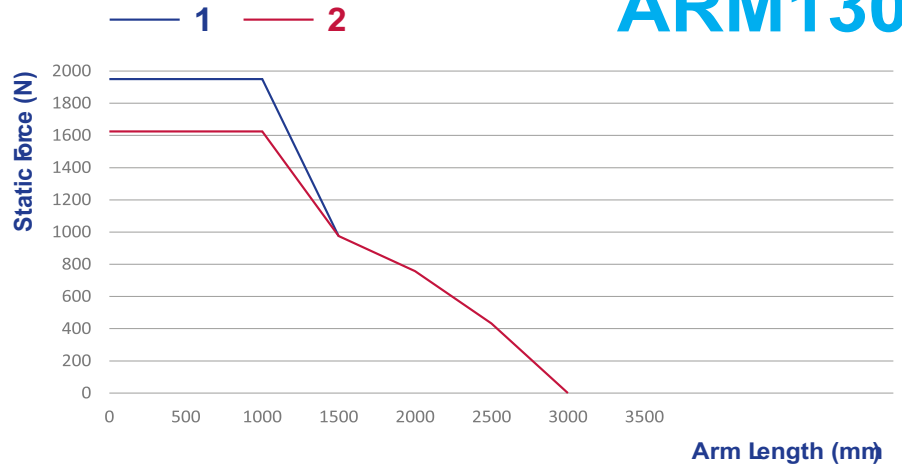
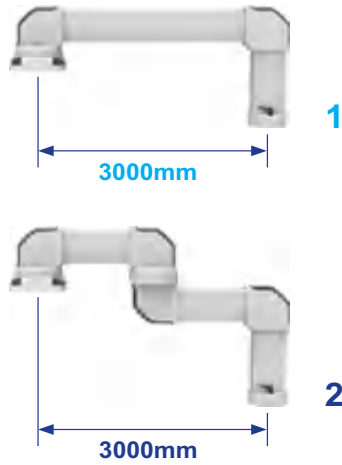


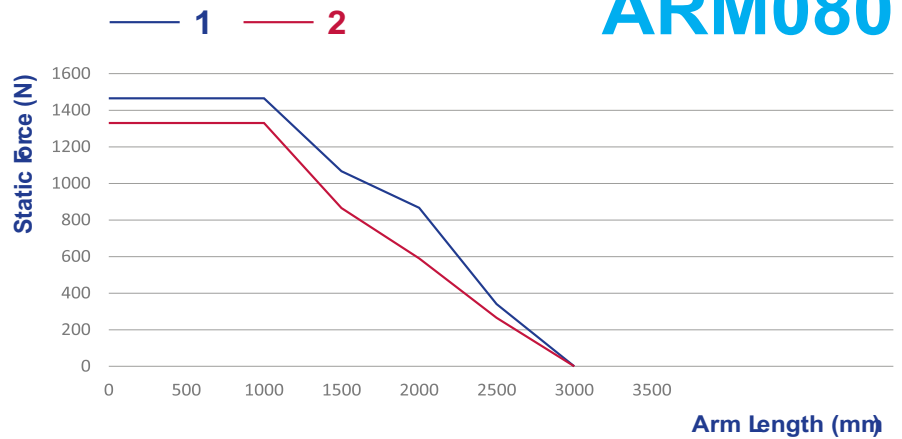
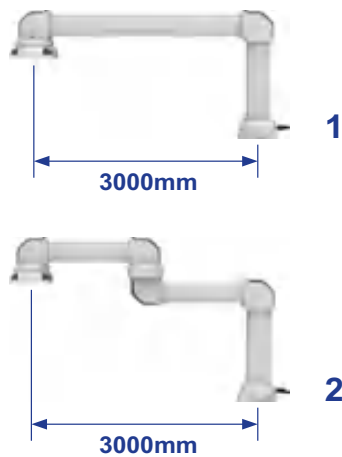
پنل و اتصالات ماشین آلات صنعتی



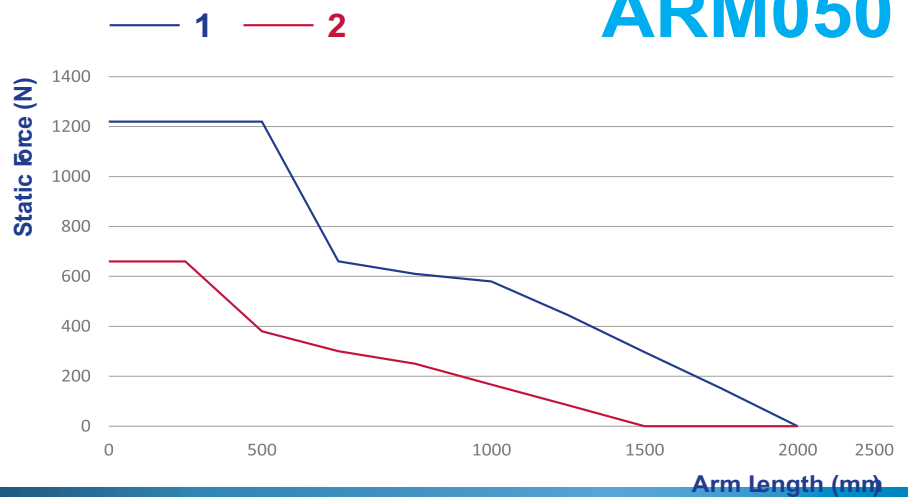
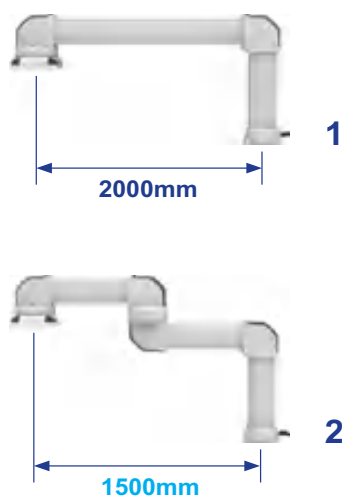
ARM130



ARM080

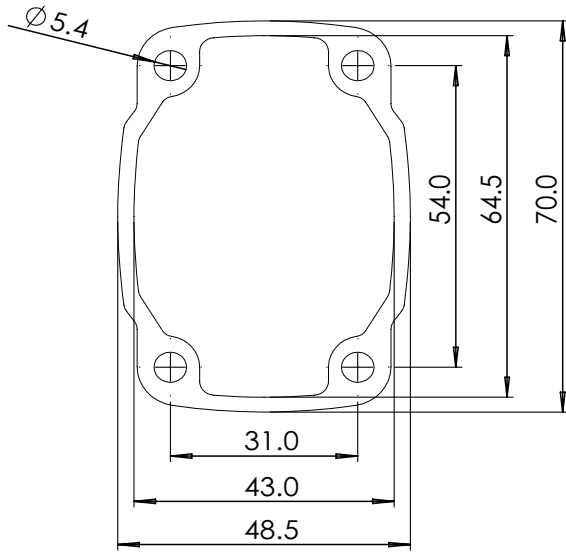


ARM050



Support Arm Profile

ARM050.025



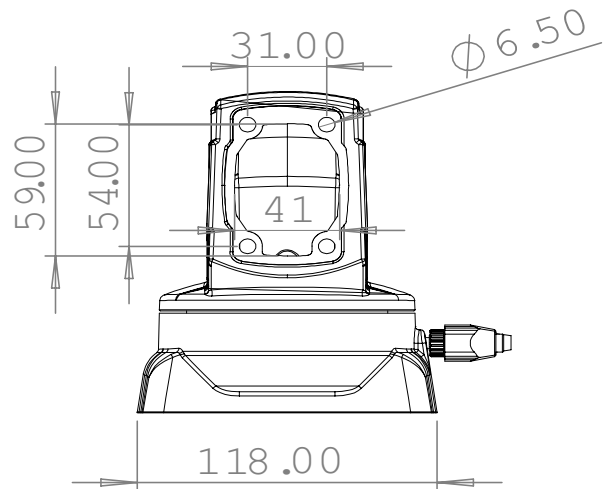
The series of ARM050 Operator Arm Systems are suitable for short length arm applications produced for panels carrying light loads. This operator support arm series offers many functional solutions with its wide range components. An operator arm of 1 m length can carry loads weighing up to 50 kg. Code RAL 7035 is a light gray paint used for this product with sealing feature.

Model No	Description	Length (mm)	Weight (mm)	Ral Code	Package Dimension
ARM050.025	050 Support Profile - 250mm	250	500	7035	50 x 75 x 260
ARM050.050	050 Support Profile - 500mm	500	1000	7035	50 x 75 x 510
ARM050.075	050 Support Profile - 750mm	750	1500	7035	50 x 75 x 760
ARM050.100	050 Support Profile - 1000mm	1000	2000	7035	50 x 75 x 1010
ARM050.125	050 Support Profile - 1250mm	1250	2500	7035	50 x 75 x 1260
ARM050.150	050 Support Profile - 1500mm	1500	3000	7035	50 x 75 x 1510
ARM050.175	050 Support Profile - 1750mm	1750	3500	7035	50 x 75 x 1760
ARM050.200	050 Support Profile - 2000mm	2000	4000	7035	50 x 75 x 2010

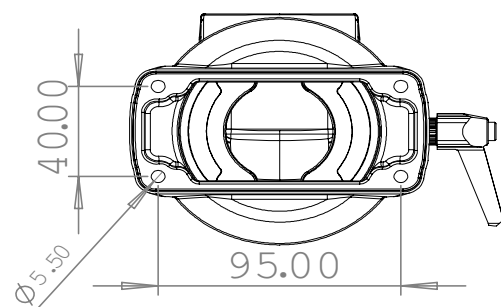
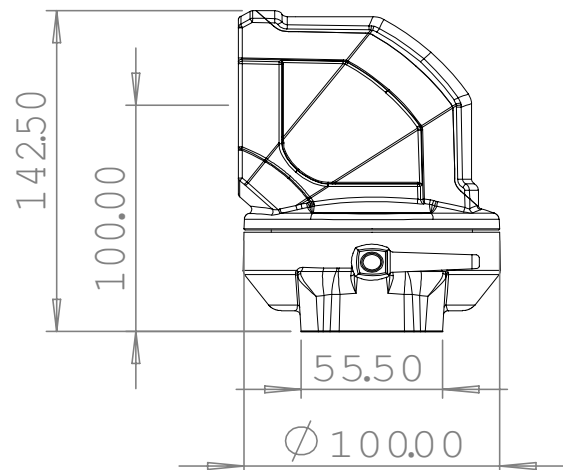


ARM050.400

Rotatable Panel 90° Angle Coupling



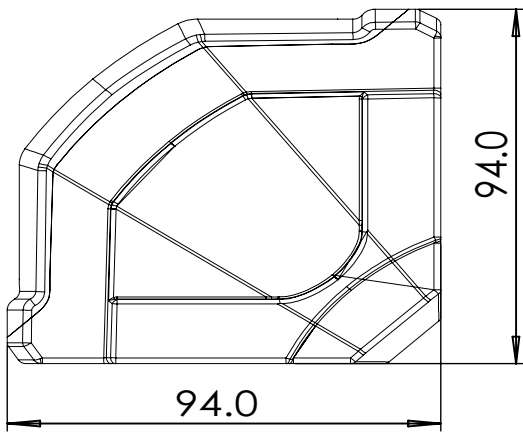
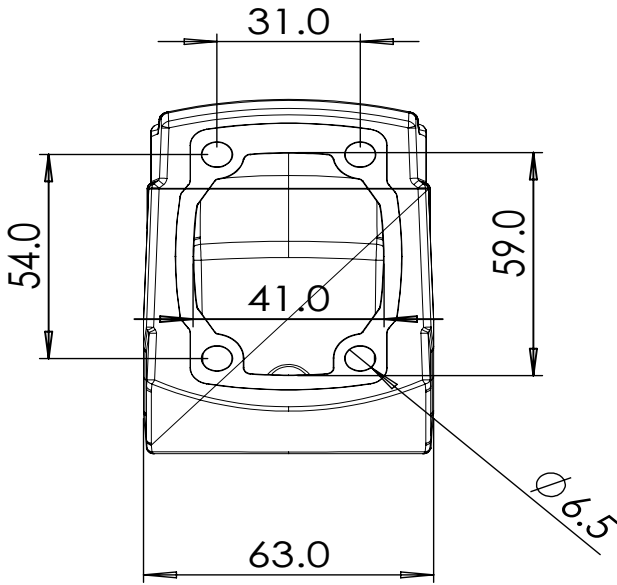
ARM050.400 Rotatable Panel 90° Angle Coupling is suitable for an operator panel that requires positioning directly after a 90° angle corner turn. The rotation angle is 315° in total. The ability to rotate around itself provides flexibility for the operator using the panel in bringing it to a desired position. ARM050.400 is an ideal product that will be used for the panel types with more depth.



Weight	1000 gr
Color Ral No	RAL 7035 / Cover RAL 7016
Package	1
Package Dimension	140x155x110 mm
Material	Aluminum
Movement	Rotatable 315°

90° Angle Piece

ARM050.420



ARM050.420 90° Angle Piece is a fixed corner module that connects the operator arms in horizontal and vertical axis. Based on the structural features and usage conditions, this product can be used for light loads panels positioned in short distance and without any compatibility issues.

Weight	365 gr
Color Ral No	RAL 7035 / Cover RAL 7016
Package	1
Package Dimension	110x65x95 mm
Material	Aluminum
Movement	Fixed

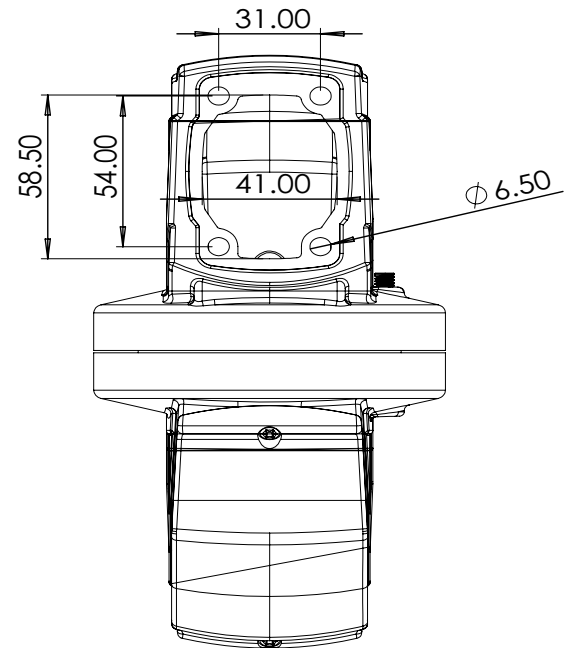


تلفن : (021) 33913364 - 33951660

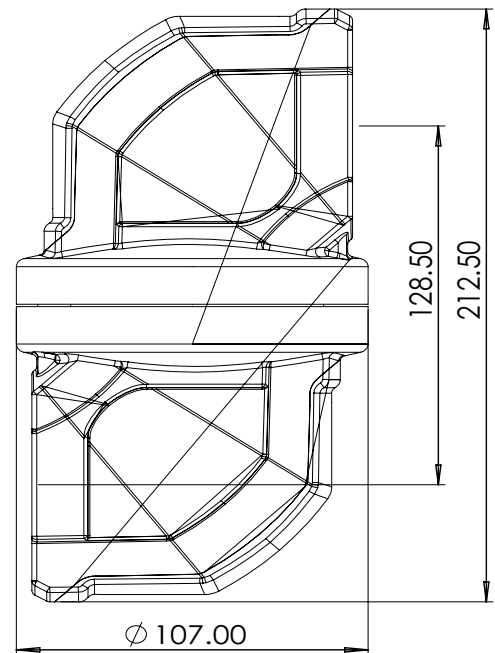
فکس : (021) 33985603

ARM050.500

Rotatable Intermediate Hinge



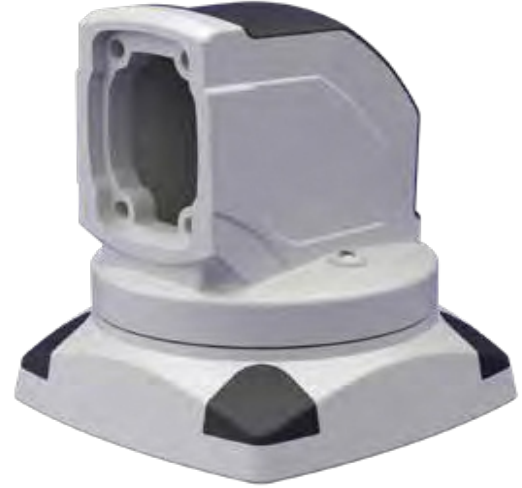
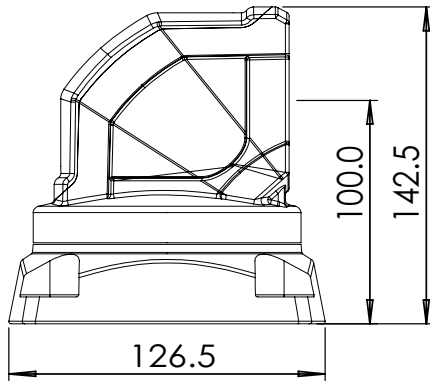
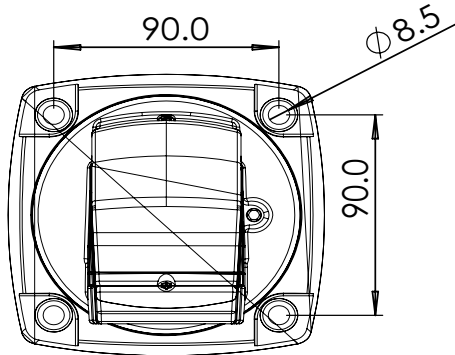
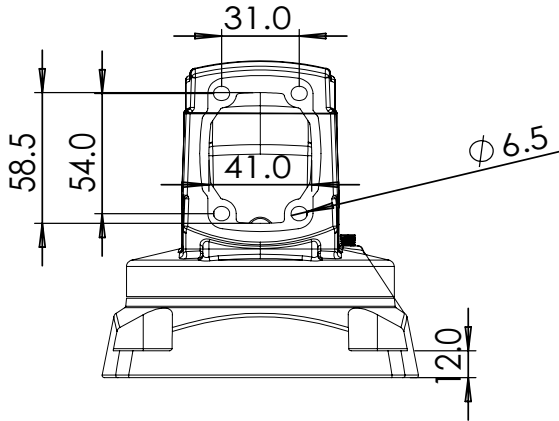
ARM050.500 Rotatable Intermediate Hinge module is used to ensure two operator arms on the horizontal axis are mounted on the assembly point and move at a semi-independent angle (315°) from each other. This product is an indispensable product for light loads and short length configurations in terms of structure and usage.



Weight	1725 gr
Color Ral No	RAL 7035 (Cover RAL 7016)
Package	1
Package Dimension	220x120x115 mm
Material	Aluminum
Movement	Rotatable 315°

Rotatable Top Mounted 90° Angle Joint

ARM050.600



ARM050.600 Rotatable Top Mounted 90° Angle Joint is produced to provide a connection for a high position point. It allows a smooth rotation for the panel horizontally and provides a 315° movement mobility to the right or left . This product is manufactured for light weight configurations.

Weight	1700 gr
Color Ral No	RAL 7035 / Cover RAL 7016
Package	1
Package Dimension	140x145x130 mm
Material	Aluminum
Movement	Rotatable 315°



تلفن : (021) 33913364 - 33951660

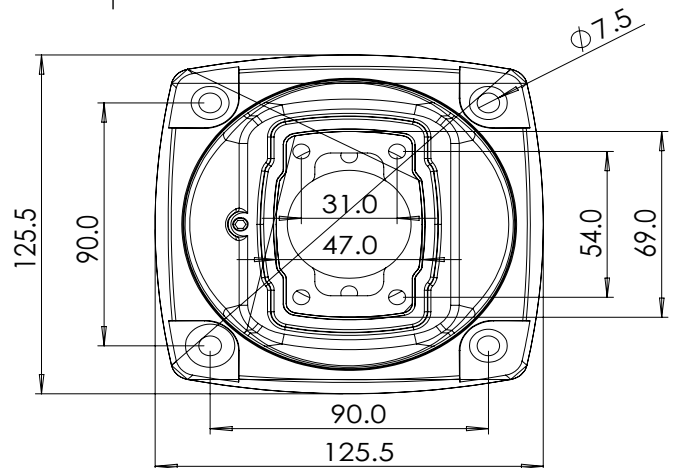
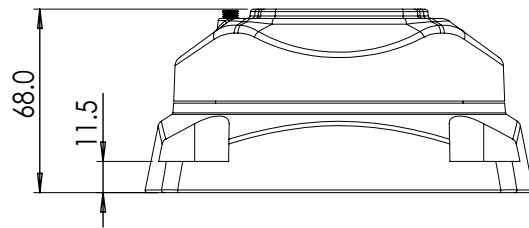
فکس : (021) 33985603

ARM050.610

Rotatable Top Mounted Vertical Outlet



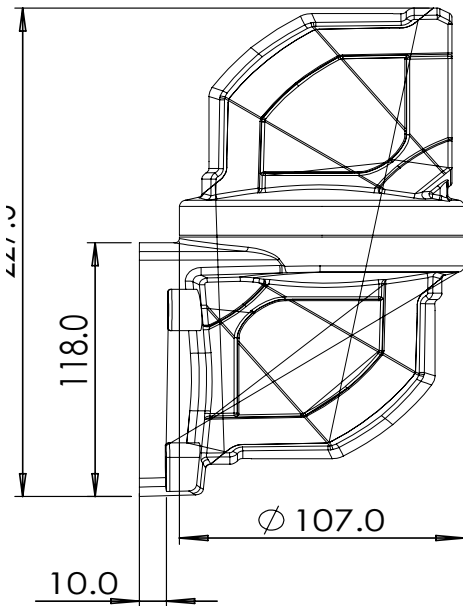
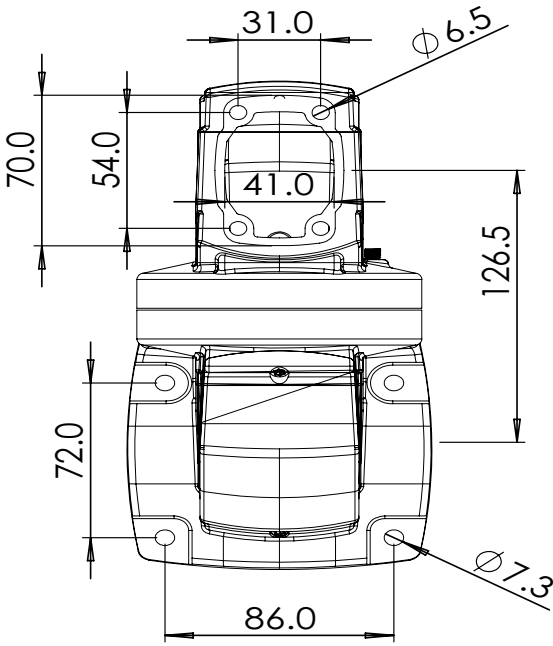
ARM050.610 Rotatable Top Mounted Vertical Outlet provides a 315° rotation movement to the right and left. It is designated for light loads configurations and can also serve as a "Fixed Kiosk".



Weight	1565 gr
Color Ral No	RAL 7035 / Cover RAL 7016
Package	1
Package Dimension	145x85x130 mm
Material	Aluminum
Movement	Rotatable 315°

Rotatable Wall-Mounted Hinge Horizontal Outlet

ARM050.700



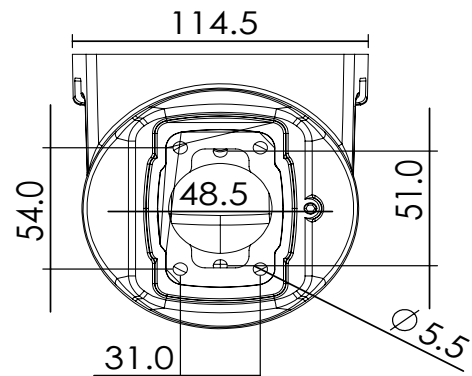
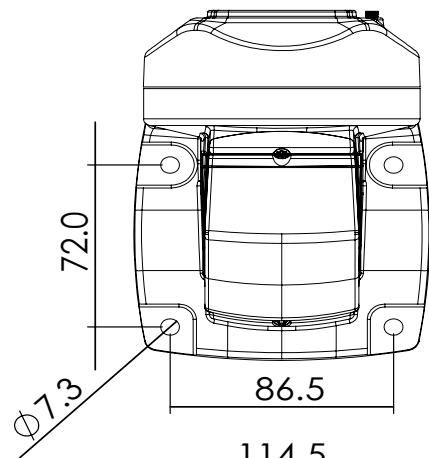
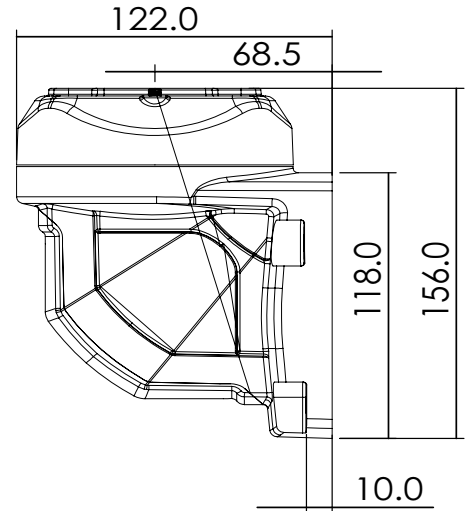
ARM050.700 Rotatable Wall-Mounted Hinge Horizontal Outlet is designed to create a connection point to any preferred point where it is unavailable on the ground. It allows the operator arm to move at a 315° left and right horizontally for light loads configurations.

Weight	1920 gr
Color Ral No	RAL 7035 / Cover RAL 7016
Package	1
Package Dimension	245x140x130 mm
Material	Aluminum
Movement	Rotatable 315°



ARM050.710

Rotatable Wall-Mounted Hinge Vertical Outlet

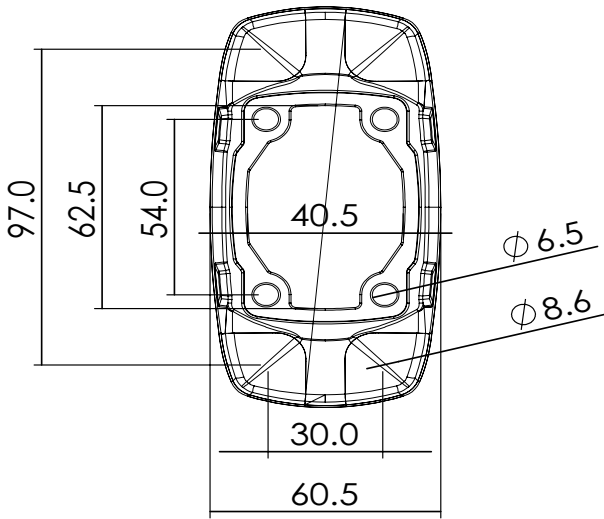


ARM050.710 Rotatable Wall-Mounted Hinge Vertical Outlet is designed to create a connection point to any preferred point vertically. It allows the operator arm to move at a 315° left and right vertically for light loads configurations.

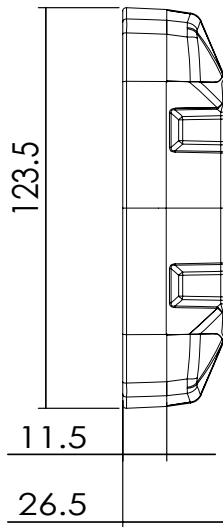
Weight	1770 gr
Color Ral No	RAL 7035 / Cover RAL 7016
Package	1
Package Dimension	180x130x125 mm
Material	Aluminum
Movement	Rotatable 315°

Wall-Socket Mounting Bracket

ARM050.800



ARM050.800 Wall-Socket Mounting Bracket is a fixed connection that can be easily connected to vertical and horizontal surfaces. It is produced for light loads configurations.

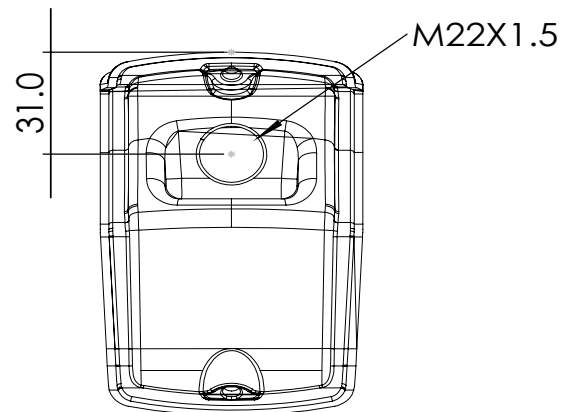
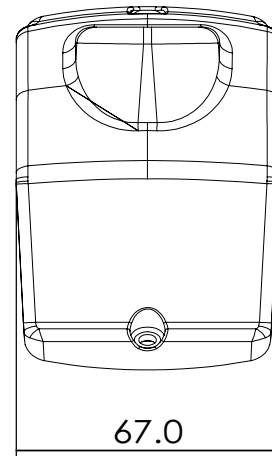


Weight	1000 gr
Color Ral No	RAL 7035 / Cover RAL 7016
Package	1
Package Dimension	140x30x65 mm
Material	Aluminum
Movement	Fixed



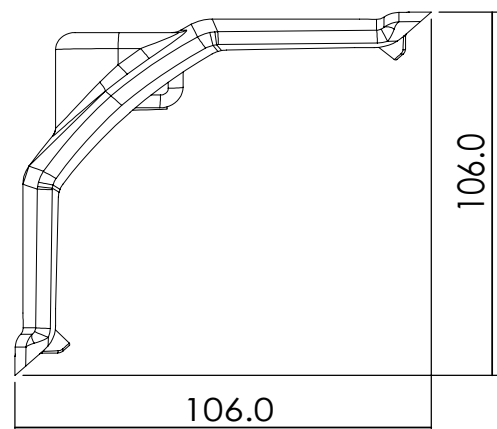
ARM050.810

Warning Lamp Cover (M22)



ARM050.810 Warning Lamp Cover (M22) is placed on the corner module ensuring an area for the warning lamp to be placed. The warning lamp connection diameter is M22×1.5

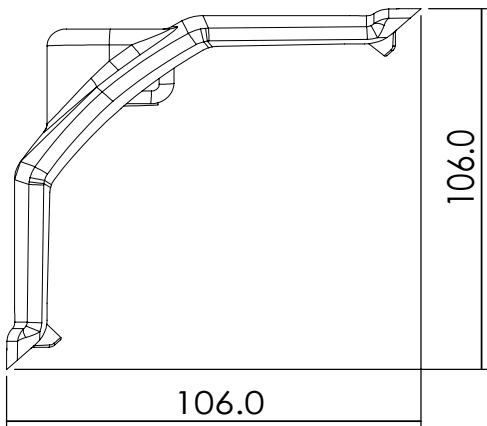
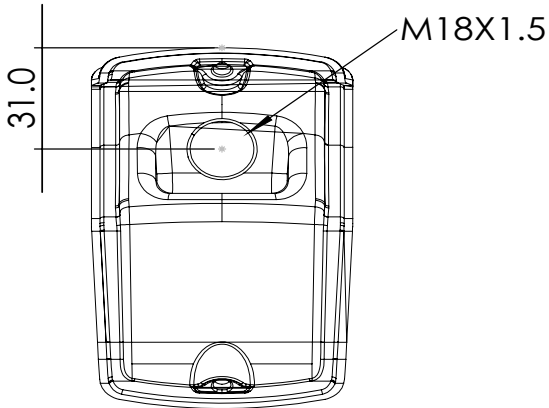
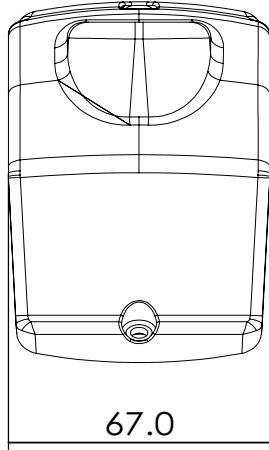
* Warning lamp hole can be drilled with the desired size.



Weight	130 gr
Color Ral No	RAL 7016
Package	1
Package Dimension	150x160x140 mm
Material	Aluminum
Movement	Fixed

Warning Lamp Cover (M18)

ARM050.811



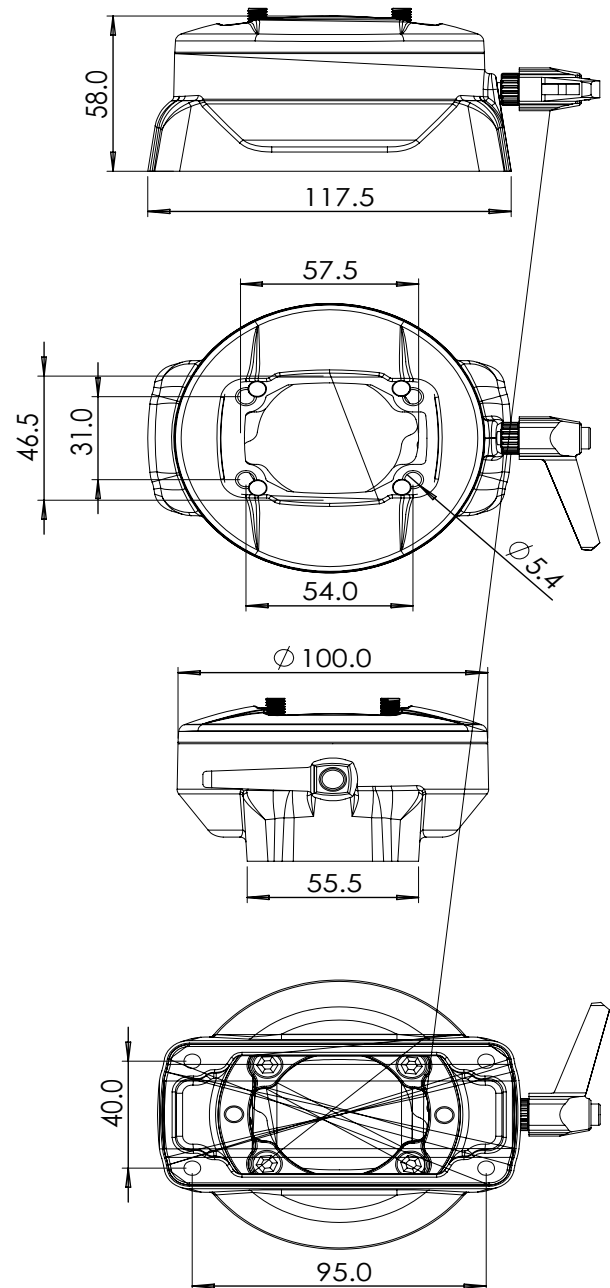
ARM050.811 Warning Lamp Cover (M18) is placed on the corner module ensuring an area for the warning lamp to be placed. The warning lamp connection diameter is M18×1.5
* Warning lamp hole can be drilled with the desired size

Weight	130 gr
Color Ral No	RAL 7016
Package	1
Package Dimension	150x160x140 mm
Material	Aluminum
Movement	Fixed



ARM050.830

Rotatable Panel Adapt or Vertical



ARM050.830 Rotatable Panel Adaptor Vertical is the connector between the operator panel and the operator arm. The dimension of the adaptor surface is 118x65mm which allows a 315° smooth rotation to the left and right. This product is designed for light loads and a suitable depth ratio.

Weight	720 gr
Color Ral No	RAL 7035
Package	1
Package Dimension	135x70x110 mm
Material	Aluminum
Movement	Rotatable 315°