

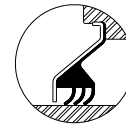
UCFA 2

Flange Units

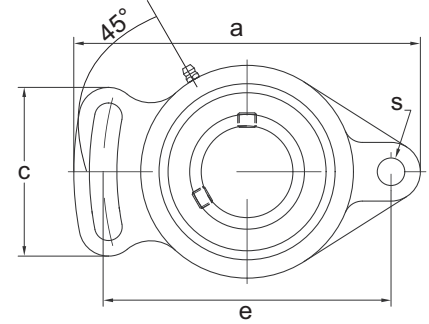
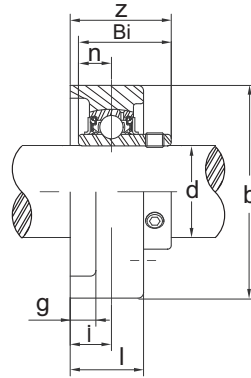
(normal-duty)



SR type seal



TRL type seal



unit No.	Shaft Dia	Dimensions (mm)											Bolt Used (mm)	Bearing No.	Housing No.	Weight kg.
	d (mm)	a	e	j	g	l	s	b	z	c	Bi	n				
UCFA 201 201-8	12	98	78	13.8	11	24	10	59	32.1	50	31.0	12.7	8	UC 201 201-8	FA 204	0.47
UCFA 202 202-10	15	98	78	13.8	11	24	10	59	32.1	50	31.0	12.7	8	UC 202 202-10	FA 204	0.47
UCFA 203	17	98	78	13.8	11	24	10	59	32.1	50	31.0	12.7	8	UC 203	FA 204	0.47
UCFA 204-12 204	20	98	78	13.8	11	24	10	59	32.1	50	31.0	12.7	8	UC 204-12 204	FA 204	0.47
UCFA 205-14 205-15 205	25	124	98	16.0	13	27	11	70	35.7	64	34.0	14.3	10	UC 205-14 205-15 205	FA 205	0.68
UCFA 206-18 206	30	141	117	17.8	13	30	11	83	40.0	68	38.1	15.9	10	UC 206-18 206	FA 206	1.0
UCFA 207-20 207-21 207-22 207	35	155	130	18.6	14	34	13	96	44.0	75	42.9	17.5	12	UC 207-20 207-21 207-22 207	FA 207	1.5
UCFA 208-24 208-25 208	40	171	144	20.8	14	38	13	105	51.0	84	49.2	19.0	12	UC 208-24 208-25 208	FA 208	1.9
UCFA 209-26 209-27 209-28 209	45	179	148	21.8	14	40	15	111	52.0	88	49.2	19.0	14	UC 209-26 209-27 209-28 209	FA 209	1.7
UCFA 210-30 210-31 210	50	189	157	22.5	14	40	15	116	55.1	92	51.6	19.0	14	UC 210-30 210-31 210	FA 210	2.0
UCFA 211-32 211-34 211	55	216	184	25.7	20	44	16	133	59.1	102	55.6	22.2	15	UC 211-32 211-34 211	FA 211	3.6
UCFA 211-35														UC 211-35		

