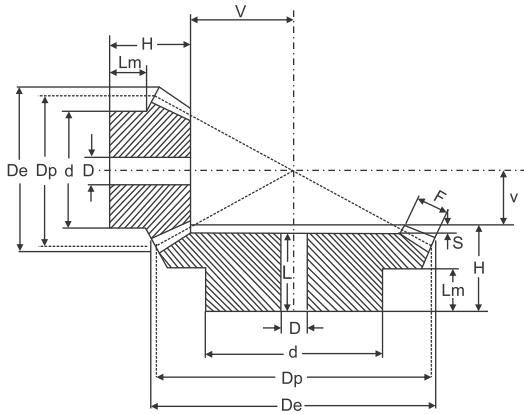


## Bevel Gear Pairs With Usual Axes-Type B

Pressure angle 20°

Material : C45

Ratio 1:2



Modul	Z	Cod.	De	Dp	H	F	d	D	V	L	Lm	S
1	15	CC 261/2	17.4	15.0	11.9	5	13.3	4	10.1	10.9	6.5	1
	30		30.6	30.0	15.1	5	20.3	5	4.9	13.7	9	1.4
1.5	15	CC 271/2	26.1	22.5	21.1	9	19.3	8	13.9	19.1	11.9	2
	30		45.9	45.0	25.2	9	32.3	8	6.8	23	16	2.2
2	15	CC 281/2	34.8	30.0	26	11.5	25.3	8	19.0	23	14.1	3
	30		61.2	60.0	29.8	11.5	40.3	14	9.2	26.8	18	3
2.5	15	CC 291/2	43.5	37.5	31.8	15	32.3	12	23.2	28.8	16.2	3
	30		76.5	75.0	33.7	15	45.3	16	11.3	30	20	3.7
3	15	CC 301/2	52.2	45.0	37.3	17	40.3	12	28.7	34.3	19.9	3
	30		91.8	90.0	42.1	17	55.3	16	13.9	38	25	4.1
3.5	15	CC 351/2	60.9	52.5	46.1	20.5	45.3	16	32.9	42.1	24.7	4
	30		107.1	105.0	45	20.5	60.3	20	16.0	40	25	5
4	15	CC 311/2	69.6	60.0	48.6	22.5	50.3	20	38.4	43.6	24.6	5
	30		122.3	120.0	57.3	22.5	80.3	25	18.7	51.9	35	5.4
4.5	15	CC 451/2	78.3	67.5	51.4	26	60.3	20	42.6	45.4	24.7	6
	30		137.6	135.0	60.3	26	80.3	30	20.7	54.3	35	6
5	15	CC 321/2	87.0	75.0	57.6	30	60.3	25	46.4	51.6	25.3	6
	30		152.9	150.0	62.5	30	80.3	30	22.5	56	35	6.5

