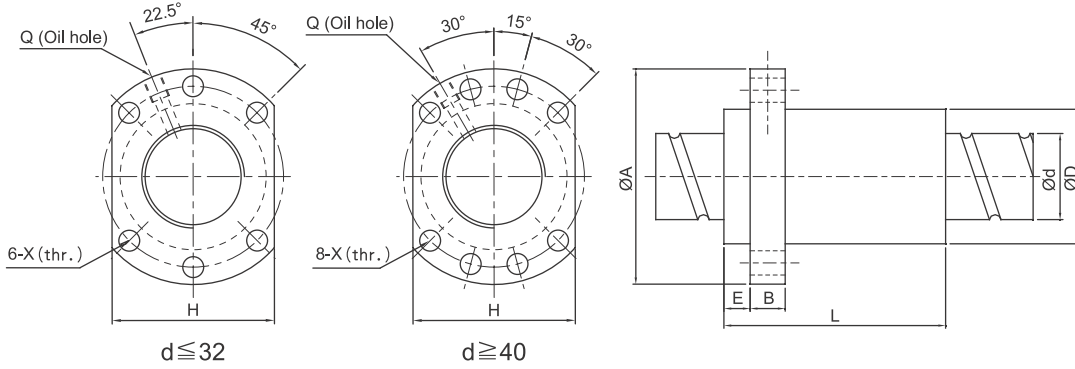


SFNH/SFH (DIN 69051 FORM B) Series Specifications



SFH



SFNH

Unit: mm

Model No.	d	l	Da	Dimension										Load Rating		K kgf/ μm	
				D	A	E	B	L	W	H	X	Q	n	Ca (kgf)	Coa (kgf)		
★ SFH01205-2.8	12	5	2.5	24	40	5	10	30	32	30	4.5		2.8x1	661	1316	19	
★ SFH01210-2.8		10	2.5	24	40	5	10	45	32	30	4.5		2.8x1	642	1287	19	
★ SFH01605-3.8	15	5	2.778	28	48	5	10	37	38	40	5.5	M6	3.8x1	1112	2507	30	
★ SFH01610-2.8		10	2.778	28	48	5	10	45	38	40	5.5	M6	2.8x1	839	1821	23	
★ SFH01616-1.8		16	2.778	28	48	5	10	45	38	40	5.5	M6	1.8x1	552	1137	14	
★ SFH01616-2.8		16	2.778	28	48	5	10	61	38	40	5.5	M6	2.8x1	808	1769	22	
★ SFH01620-1.8	20	20	2.778	28	48	5	10	58	38	40	5.5	M6	1.8x1	554	1170	14	
★ SFH02005-3.8		5	3.175	36	58	7	10	37	47	44	6.6	M6	3.8x1	1484	3681	37	
★ SFH02010-3.8		10	3.175	36	58	7	10	55	47	44	6.6	M6	3.8x1	1516	3833	40	
★ SFH02020-1.8		20	3.175	36	58	7	10	54	47	44	6.6	M6	1.8x1	764	1758	19	
★ SFH02020-2.8	25	20	3.175	36	58	7	10	74	47	44	6.6	M6	2.8x1	1118	2734	29	
★ SFH02505-3.8		5	3.175	40	62	7	10	37	51	48	6.6	M6	3.8x1	1650	4658	43	
★ SFH02510-3.8		10	3.175	40	62	7	12	55	51	48	6.6	M6	3.8x1	1638	4633	45	
★ SFH02525-1.8		25	3.175	40	62	7	12	64	51	48	6.6	M6	1.8x1	843	2199	22	
★ SFH02525-2.8	32	25	3.175	40	62	7	12	89	51	48	6.6	M6	2.8x1	1232	3421	34	
★ SFH03205-3.8		5	3.175	50	80	9	12	37	65	62	9	M6	3.8x1	1839	6026	51	
★ SFH03210-3.8		10	3.969	50	80	9	12	57	65	62	9	M6	3.8x1	2460	7255	55	
★ SFH03220-2.8		31	20	3.969	50	80	9	12	76	65	62	9	M6	2.8x1	1907	5482	43
★ SFH03232-1.8	32		3.969	50	80	9	12	80	65	62	9	M6	1.8x1	1257	3426	27	
★ SFH03232-2.8	40	32	3.969	50	80	9	12	112	65	62	9	M6	2.8x1	1838	5329	42	
★ SFH04005-3.8		5	3.175	63	93	9	15	42	78	70	9	M8	3.8x1	2018	7589	60	
★ SFH04010-3.8		38	10	6.35	63	93	9	14	60	78	70	9	M8	3.8x1	5035	13943	67
★ SFH04020-2.8			20	6.35	63	93	9	14	80	78	70	9	M8	2.8x1	3959	10715	54
★ SFH04040-1.8	40		6.35	63	93	9	14	98	78	70	9	M8	1.8x1	2585	6648	34	
★ SFH04040-2.8	50	40	6.35	63	93	9	14	138	78	70	9	M8	2.8x1	3780	10341	52	
★ SFH05005-3.8		5	3.175	75	110	10.5	15	42	93	85	11	M8	3.8x1	2207	9542	68	
★ SFH05010-3.8		48	10	6.35	75	110	10.5	18	60	93	85	11	M8	3.8x1	5638	17852	79
★ SFH05020-3.8			20	6.35	75	110	10.5	18	100	93	85	11	M8	3.8x1	5749	18485	87
★ SFH05050-1.8	50		6.35	75	110	10.5	18	120	93	85	11	M8	1.8x1	2946	8749	42	
★ SFH05050-2.8	48	50	6.35	75	110	10.5	18	170	93	85	11	M8	2.8x1	4308	13610	65	

※★ Actuator type available (SFNH series).

