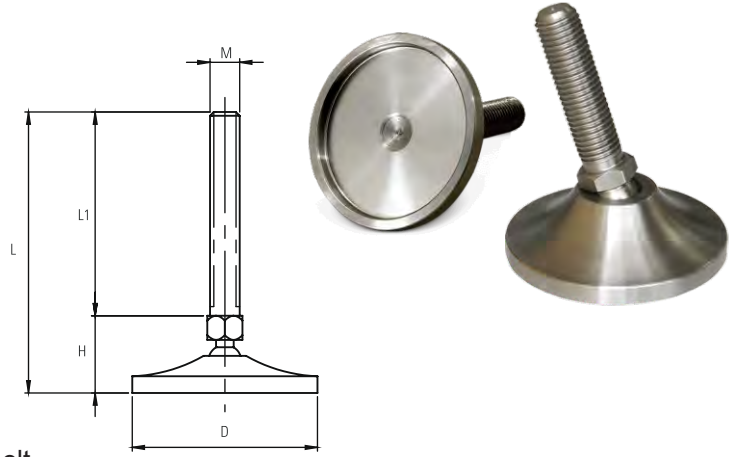


EMX SERIES Stainless Steel Feet with Articulated Bolt

CODE	D (mm)	M	L (mm)	L1 (mm)	H (mm)	Load kg / pcs
EMX 80 1660	80	M16x60	100	60	40	1000
EMX 80 1610	80	M16x100	140	100	40	1000
EMX 80 1615	80	M16x150	190	150	40	1000
EMX 80 2010	80	M20x100	140	100	40	2000
EMX 80 2015	80	M20x150	190	150	40	2000
EMX 10 1610	100	M16x100	150	100	40	2000
EMX 10 1615	100	M16x150	190	150	40	2000
EMX 10 2010	100	M20x100	140	100	40	2500
EMX 10 2015	100	M20x150	190	150	40	2500



Stainless Steel Feet With Articulated Bolt

Stainless steel base with articulated stainless steel bolt

Add "L" for anti-slip pad.

