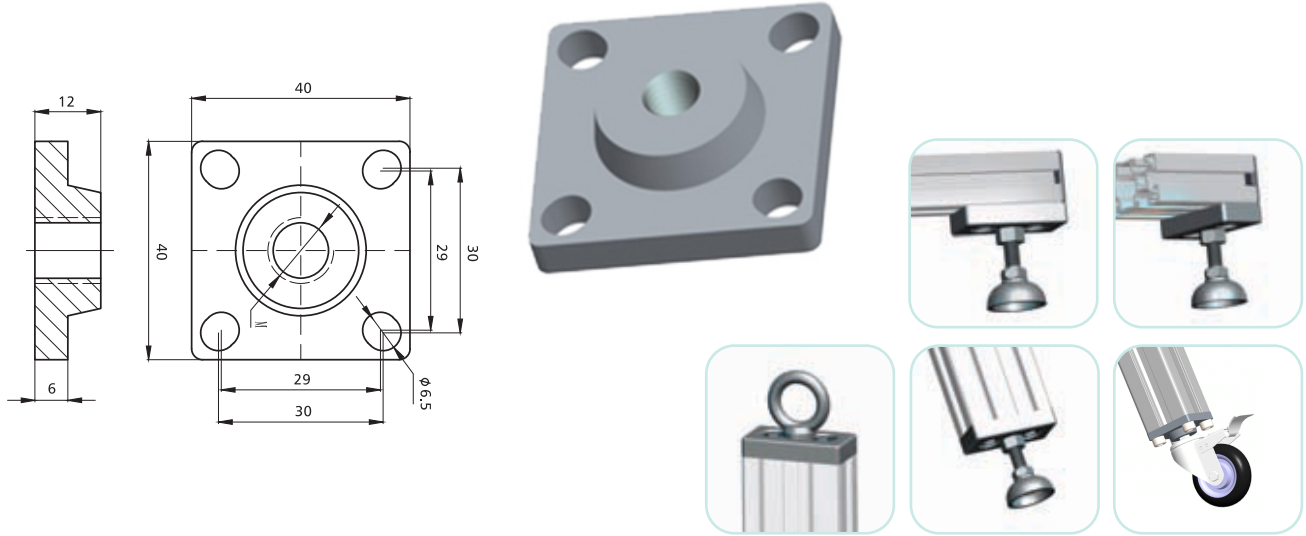


## Alu Profile Accessories/Connectors/End Connectors



Item No.	M	Material	Finish	PCS/CTN	KGS/CTN	CTN SIZE (mm)
K4040P-4	M8	Die-Cast Alu	Dull Polished	200	5.6	225*170*180
K4040P-5	M10			200	5.4	225*170*180
K4040P-6	M12			200	5.2	225*170*180

