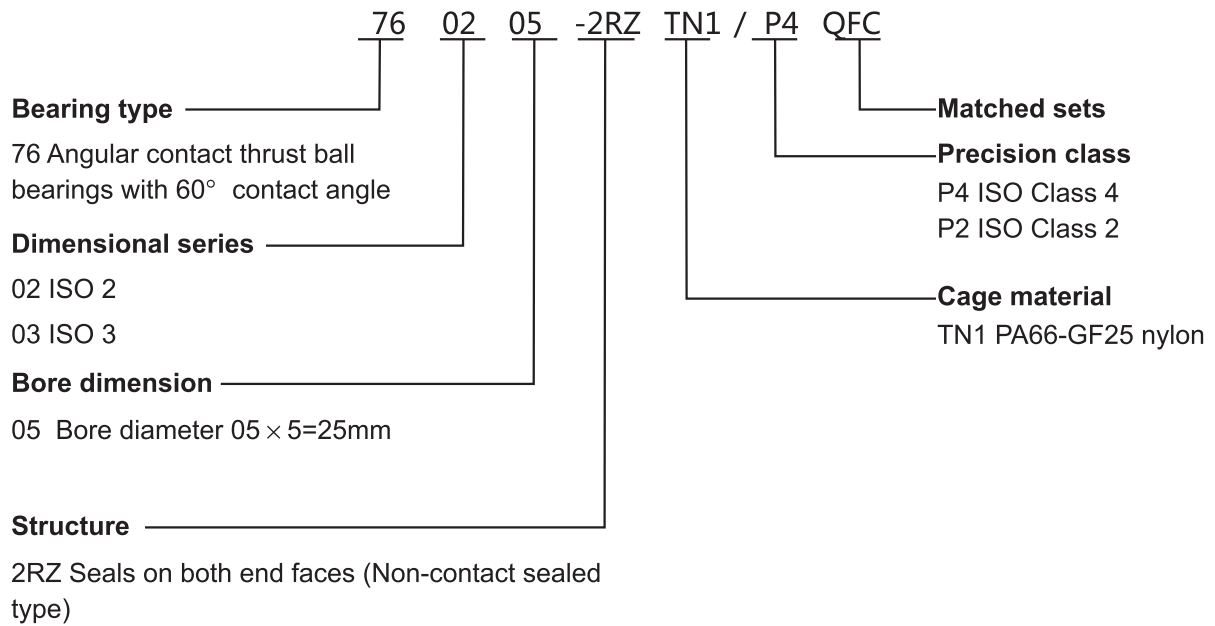
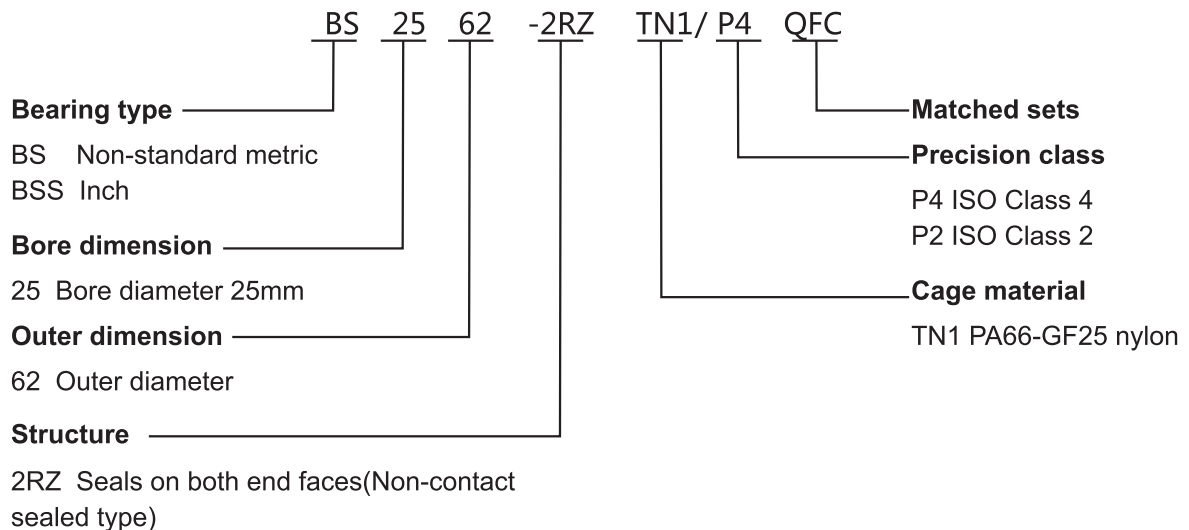


Ball screw support bearings

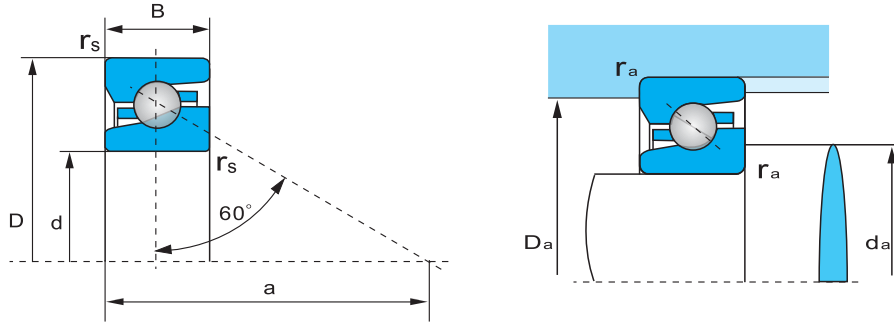
Designation of ZYS ball screw support bearings(standard metric)



Designation of ZYS ball screw support bearings(non-standard series)



ZYS® | PRECISION ROLLING BEARINGS



7602 standard metric series

Bearing designations ZYS	Boundary dimensions					Reference mounting dimensions			Load rating		Limiting speed		Weight kg ≈
						d _a	D _a	r _a					
	d	D	B	r _{smin}	a	h12	H12	max	C _a	C _{oa}	Grease	Oil	
mm					≈			KN		r/min			
760201TN1-P4	12	32	10	0.6	24	17.0	27.0	0.6	11.6	12.5	17000	24000	0.04
760202TN1-P4	15	35	11	0.6	27	20.5	30.0	0.6	12.5	15	15000	20000	0.05
760203TN1-P4	17	40	12	0.6	31	23.0	34.5	0.6	16.6	20	13000	18000	0.07
760204TN1-P4	20	47	14	1.0	36	27.5	39.5	1.0	19.3	25	12000	17000	0.13
760205TN1-P4	25	52	15	1.0	41	32.0	45.0	1.0	22	30.5	11000	16000	0.16
760206TN1-P4	30	62	16	1.0	48	39.5	52.5	1.0	26	39	9000	13000	0.24
760207TN1-P4	35	72	17	1.1	55	46.5	60.5	1.1	30	50	8000	11000	0.34
760208TN1-P4	40	80	18	1.1	62	53.5	69.5	1.1	37.5	64	7000	9500	0.44
760209TN1-P4	45	85	19	1.1	66	57.0	73.0	1.1	38	68	6700	9000	0.50
760210TN1-P4	50	90	20	1.1	71	63.0	79.0	1.1	39	75	6300	8500	0.57
760211TN1-P4	55	100	21	1.5	78	69.5	85.5	1.5	40.5	81.5	6000	8000	0.75
760212TN1-P4	60	110	22	1.5	86	77.0	96.0	1.5	56	112	5000	6700	0.96
760213TN1-P4	65	120	23	1.5	92	84.0	103.0	1.5	57	122	4800	6300	1.20
760214TN1-P4	70	125	24	1.5	96	87.0	108.0	1.5	65.5	137	4500	6000	1.32
760215TN1-P4	75	130	25	1.5	101	93.5	114.5	1.5	67	150	4300	5600	1.45
760216TN1-P4	80	140	26	2.0	108	100.0	122.0	2.0	76.5	175	4000	5300	1.76
760217TN1-P4	85	150	28	2.0	116	107.0	131.0	2.0	86.5	196	3800	5000	2.19
760218TN1-P4	90	160	30	2.0	123	113.5	138.5	2.0	98	224	3600	4800	2.69
760219TN1-P4	95	170	32	2.1	131	119.5	146.5	2.1	110	255	3400	4500	3.26
760220TN1-P4	100	180	34	2.1	138	125.5	154.5	2.1	122	285	3200	4300	3.91
760222TN1-P4	110	200	38	2.1	153	139.0	171.0	2.1	146	355	2800	3800	5.5
760224TN1-P4	120	215	40	2.1	165	150.0	185.0	2.1	176	425	2600	3600	6.5
760226TN1-P4	130	230	40	3.0	176	162.5	197.0	3.0	180	455	2400	3400	7.4

