

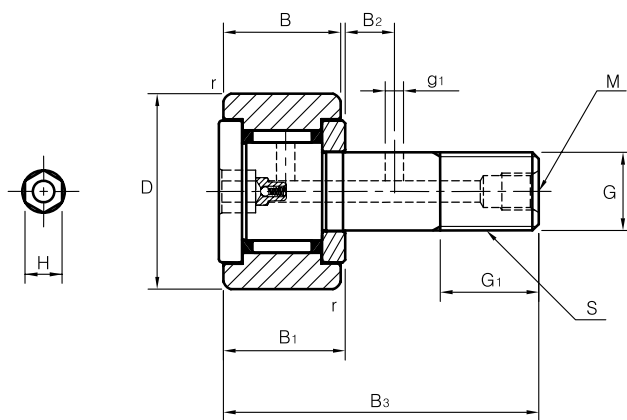
We take great pride in developing and manufacturing our bearings for ourselves.

## STUD TYPE TRACK ROLLERS

CAGE TYPE  
INCH DIMENSION



CR



CR..

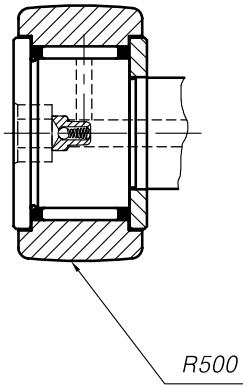
ابعاد CR نوع استاندارد اصلی غلتک های شیار نوع میخی تولید شده توسط JMC است CR بر اساس اینچ است در حالیکه ابعاد نوع CF بر اساس میلی متر است . عمدتاً از این دو نوع استفاده می گردد

(Stud diameter) G mm (inch)	(Bearing No.)				(Mass) gr.	(Dimensions) inch / mm					
	(Unsealed)		(Sealed)			H mm	D	(Thread sizes) UNF S	B		
	(Cylindrical outer ring)	(Crowned outer ring)	(Cylindrical outer ring)	(Crowned outer ring)							
CR..	CR..R	CR..UU	CR..UUR								
4.826	CR 8	CR 8R	CR 8UU	CR 8UUR	9	3	1/2	12.700	NO.10-32	11/32	8.731
	CR 8-1	CR 8-1R	CR 8-1UU	CR 8-1UUR	10	3	1/2	12.700	NO.10-32	3/8	9.525
6.350 (1/4)	CR 10	CR 10R	CR 10UU	CR 10UUR	19	3	5/8	15.875	1/4 - 28	13/32	10.319
	CR 10-1	CR 10-1R	CR 10-1UU	CR 10-1UUR	21	3	5/8	15.875	1/4 - 28	7/16	11.112
9.525 (3/8)	CR 12	CR 12R	CR 12UU	CR 12UUR	35	4	3/4	19.050	3/8 - 24	1/2	12.700
	CR 14	CR 14R	CR 14UU	CR 14UUR	46	4	7/8	22.225	3/8 - 24	1/2	12.700
11.112 (7/16)	CR 16	CR 16R	CR 16UU	CR 16UUR	73	6	1	25.400	7/16 - 20	5/8	15.875
	CR 18	CR 18R	CR 18UU	CR 18UUR	88	6	1 1/8	28.575	7/16 - 20	5/8	15.875
12.700 (1/2)	CR 20	CR 20R	CR 20UU	CR 20UUR	132	6	1 1/4	31.750	1/2 - 20	3/4	19.050
	CR 22	CR 22R	CR 22UU	CR 22UUR	157	6	1 3/8	34.925	1/2 - 20	3/4	19.050
15.875 (5/8)	CR 24	CR 24R	CR 24UU	CR 24UUR	225	6	1 1/2	38.100	5/8 - 18	7/8	22.225
	CR 26	CR 26R	CR 26UU	CR 26UUR	260	6	1 5/8	41.275	5/8 - 18	7/8	22.225
19.050 (3/4)	CR 28	CR 28R	CR 28UU	CR 28UUR	365	8	1 3/4	44.450	3/4 - 16	1	25.400
	CR 30	CR 30R	CR 30UU	CR 30UUR	410	8	1 7/8	47.625	3/4 - 16	1	25.400
22.225 (7/8)	CR 32	CR 32R	CR 32UU	CR 32UUR	615	8	2	50.800	7/8 - 14	1 1/4	31.750
	CR 36	CR 36R	CR 36UU	CR 36UUR	750	8	2 1/4	57.150	7/8 - 14	1 1/4	31.750

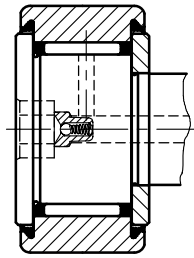


## STUD TYPE TRACK ROLLERS

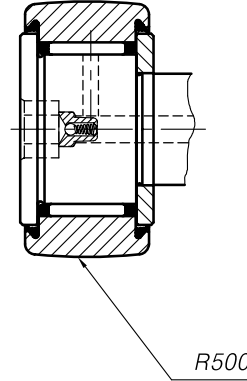
CAGE TYPE  
INCH DIMENSION



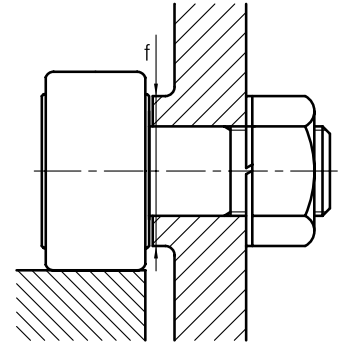
CR..R



CR..UU



CR..UUR



(Dimensions) inch / mm												f (Minimum Clamping Diameter) inch/mm	(Basic dynamic load ratings) C Kgf	(Basic static load ratings) Co Kgf	(Limiting speed) rpm	
B1	B3		M mm	g1 mm	G1	B2		r								
3/8	9.525	7/8	22.225	-	-	1/4	6.350	-	-	1/64	0.397	21/64	8.334	230	200	28,000
13/32	10.319	1 1/32	26.194	-	-	1/4	6.350	-	-	1/64	0.397	21/64	8.334	230	200	28,000
7/16	11.112	1 1/16	26.988	-	-	5/16	7.938	-	-	1/64	0.397	29/64	11.509	330	330	21,000
15/32	11.906	1 7/32	30.956	-	-	5/16	7.938	-	-	1/64	0.397	29/64	11.509	330	330	21,000
17/32	13.494	1 13/32	35.719	3.9	2.381	3/8	9.525	1/4	6.350	1/32	0.794	17/32	13.494	410	470	15,000
17/32	13.494	1 13/32	35.719	3.9	2.381	3/8	9.525	1/4	6.350	1/32	0.794	19/32	15.081	440	530	14,000
21/32	16.669	1 21/32	42.069	M6×1	3.175	1/2	12.700	1/4	6.350	3/64	1.191	45/64	17.859	810	990	13,000
21/32	16.669	1 21/32	42.069	M6×1	3.175	1/2	12.700	1/4	6.350	1/16	1.588	3/4	19.050	850	1,060	12,000
25/32	19.844	2 1/32	51.594	M6×1	3.175	5/8	15.875	5/16	7.938	1/16	1.588	55/64	21.828	1,310	1,470	11,000
25/32	19.844	2 1/32	51.594	M6×1	3.175	5/8	15.875	5/16	7.938	1/16	1.588	55/64	21.828	1,310	1,470	11,000
29/32	23.019	2 13/32	61.119	M6×1	3.969	3/4	19.050	3/8	9.525	1/16	1.588	1 3/64	26.196	1,700	2,220	8,500
29/32	23.019	2 13/32	61.119	M6×1	3.969	3/4	19.050	3/8	9.525	1/16	1.588	1 3/64	26.196	1,700	2,220	8,500
1 1/32	26.194	2 25/32	70.644	M6×1	3.969	7/8	22.225	7/16	11.112	1/16	1.588	1 9/32	32.543	2,300	3,510	7,000
1 1/32	26.194	2 25/32	70.644	M6×1	3.969	7/8	22.225	7/16	11.112	1/16	1.588	1 9/32	32.543	2,300	3,510	7,000
1 9/32	32.544	3 9/32	83.344	M6×1	4.762	1	25.400	1/2	12.700	1/16	1.588	1 15/32	37.306	2,980	5,860	5,500
1 9/32	32.544	3 9/32	83.344	M6×1	4.762	1	25.400	1/2	12.700	1/16	1.588	1 15/32	37.306	2,980	5,860	5,500

After assembly and oil lubrication, a hexagonal resin plug should be necessarily stopped up.



تلفن : (021) 33913364 - 33951660

فکس : (021) 33985603