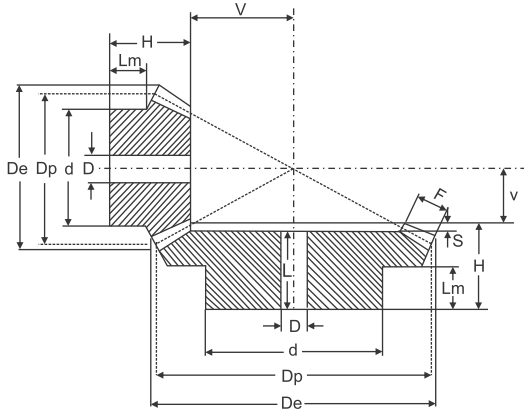


Bevel Gear Pairs With Usual Axes-Type B

Pressure angle 20°

Material : C45

Ratio 1:1.5



Modul	Z	Cod.	De	Dp	H	F	d	D	V	L	Lm	S
1	16	CC 26115	18.1	16	12	4.3	13.3	4	8	10.8	7	1.2
	24		24.8	24	14.8	4.3	20.3	5	5.2	13.3	9.3	1.5
1.5	16	CC 27115	27.1	24	20.3	8	20.3	8	10.7	18.3	11.8	2
	24		37.2	36	24.9	8	28.3	8	7.1	22.7	16	2.2
2	16	CC 28115	36.2	32	25.2	10	25.3	8	14.8	22.7	13.8	2.5
	24		49.7	48	27.2	10	32.3	8	9.8	24.7	16	2.5
2.5	16	CC 29115	45.2	40	30.8	13	32.3	12	18.2	27.8	16.4	3
	24		62.1	60	34	13	45.3	16	12.0	30.8	20	3.2
3	16	CC 30115	54.3	48	32.4	14.5	40.3	12	22.6	28.9	16.4	3.5
	24		74.5	72	36.2	14.5	55.3	16	14.8	32	20	4.2
3.5	16	CC 35115	63.3	56	40.4	18	45.3	16	25.6	36.4	20.4	4
	24		86.9	84	44.2	18	55.3	20	16.8	40	25	4.2
4	16	CC 31115	72.4	64	46.8	18	50.3	16	31.2	41.8	25.4	5
	24		99.3	96	45.5	18	60.3	20	20.5	40	25	5.5
4.5	16	CC 45115	81.4	72	47.6	20	60.3	20	35.4	41.6	25.1	5
	24		111.7	108	57.8	20	80.3	25	23.2	51.3	35	6.5
5	16	CC 32115	90.5	80	54.1	24	60.3	25	37.9	48.1	25.4	6
	24		124.1	120	61.1	24	80.3	30	24.9	54.5	35	6.6

