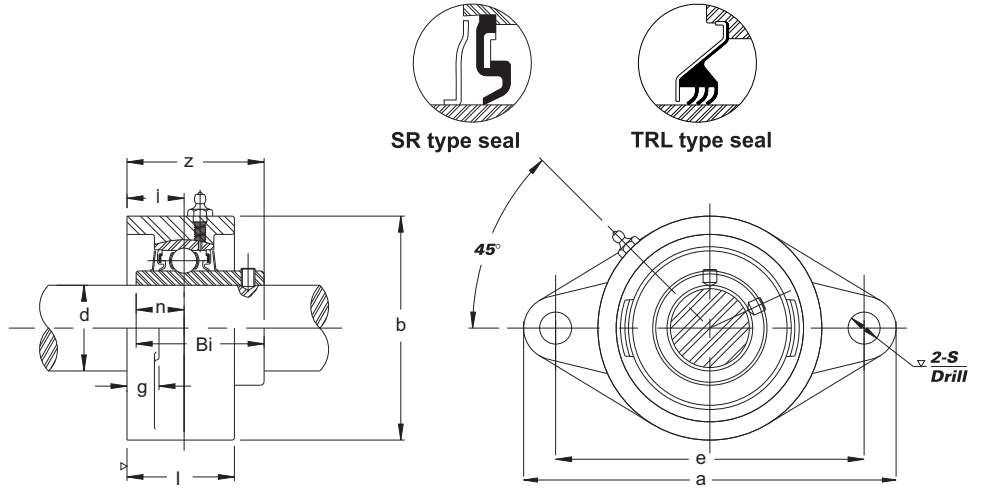


UCFL 2

Flange Units (Oval)

(normal-duty)



unit No.	Shaft Dia	Dimensions (mm)										Bolt Used (mm)	Bearing No.	Housing No.	Weight kg.
	d (mm)	a	e	i	g	l	s	b	z	Bi	n				
UCFL ₂₀₁ 201-8	12	113	90	15	11	25.5	12	60	33.3	31.0	12.7	10	UC 201 201-8	FL 204	0.49
UCFL ₂₀₂ 202-10	15	113	90	15	11	25.5	12	60	33.3	31.0	12.7	10	UC 202 202-10	FL 204	0.49
UCFL ₂₀₃	17	113	90	15	11	25.5	12	60	33.3	31.0	12.7	10	UC 203	FL 204	0.49
UCFL ₂₀₄₋₁₂ 204	20	113	90	15	11	25.5	12	60	33.3	31.0	12.7	10	UC 204-12 204	FL 204	0.49
UCFL ₂₀₅₋₁₄ 205-15 205	25	130	99	16	13	27	16	68	35.7	34.0	14.3	14	UC 205-14 205-15 205	FL 205	0.63
UCFL ₂₀₆₋₁₈ 206	30	148	117	18	13	31	16	80	40.2	38.1	15.9	14	UC 206-18 206	FL 206	0.94
UCFL ₂₀₇₋₂₀ 207-21 207-22	35	161	130	19	14	34	16	90	44.4	42.9	17.5	14	UC 207-20 207-21 207-22	FL 207	1.2
UCFL ₂₀₇₋₂₃ 207	40	175	144	21	14	36	16	100	51.2	49.2	19.0	14	UC 207-23 207	FL 207	1.2
UCFL ₂₀₈₋₂₄ 208-25 208	40	175	144	21	14	36	16	100	51.2	49.2	19.0	14	UC 208-24 208-25 208	FL 208	1.6
UCFL ₂₀₉₋₂₆ 209-27 209-28	45	188	148	22	15	38	19	108	52.2	49.2	19.0	16	UC 209-26 209-27 209-28	FL 209	1.9
UCFL ₂₀₉₋₂₈ 209	45	188	148	22	15	38	19	108	52.2	49.2	19.0	16	UC 209-28 209	FL 209	1.9
UCFL ₂₁₀₋₃₀ 210-31 210	50	197	157	22	15	40	19	115	54.6	51.6	19.0	16	UC 210-30 210-31 210	FL 210	2.2
UCFL ₂₁₁₋₃₂ 211-34 211	55	224	184	25	18	43	19	130	58.4	55.6	22.2	16	UC 211-32 211-34 211	FL 211	3.2
UCFL ₂₁₁₋₃₅ 211	55	224	184	25	18	43	19	130	58.4	55.6	22.2	16	UC 211-35 211	FL 211	3.2
UCFL ₂₁₂₋₃₆ 212	60	250	202	29	18	48	23	140	68.7	65.1	25.4	20	UC 212-36 212	FL 212	4.1
UCFL ₂₁₂₋₃₈ 212-39	60	250	202	29	18	48	23	140	68.7	65.1	25.4	20	UC 212-38 212-39	FL 212	4.1
UCFL ₂₁₃₋₄₀ 213	65	258	210	30	20	50	23	155	69.7	65.1	25.4	20	UC 213-40 213	FL 213	5.1
UCFL ₂₁₄₋₄₄ 214	70	265	216	31	20	54	23	160	75.4	74.6	30.2	20	UC 214-44 214	FL 214	5.9
UCFL ₂₁₅ 215-48	75	275	225	34	20	56	23	165	78.5	77.8	33.3	20	UC 215 215-48	FL 215	6.4
UCFL ₂₁₆	80	290	233	34	20	58	25	180	83.3	82.6	33.3	22	UC 216	FL 216	7.9
UCFL ₂₁₇₋₅₂ 217	85	305	248	36	22	63	25	190	87.6	85.7	34.1	22	UC 217-52 217	FL 217	9.6
UCFL ₂₁₈₋₅₆ 218	90	320	265	40	23	68	25	205	96.3	96.0	39.7	22	UC 218-56 218	FL 218	12.1

