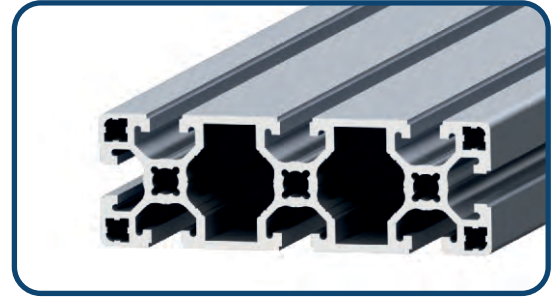
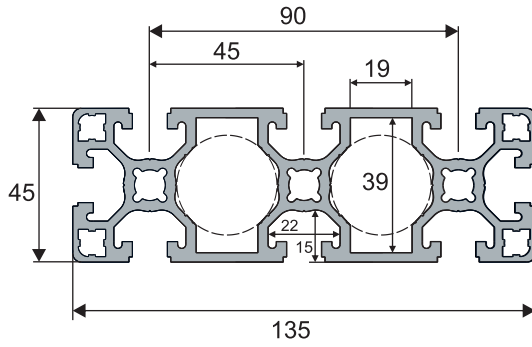
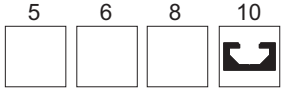


OBC-45*135



Part No.	Wy cm ³	Wx cm ³	Ly cm ⁴	Lx cm ⁴	L mm	coating	Material	Area cm ²	Weight kg/m
OBC-45*135	22.8	61.8	41.8	324	6000	Anodizad	AL-6063	18.3	4.85

L(Standard) : 6050 mm



