

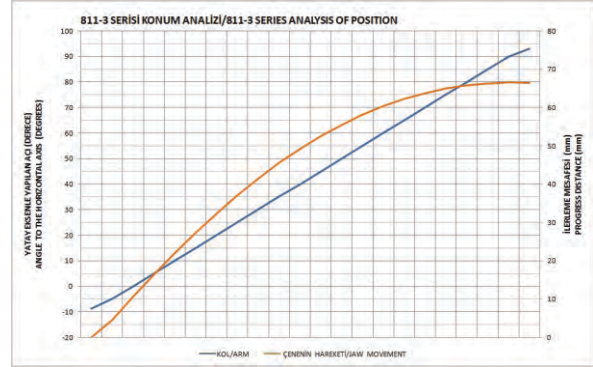
811



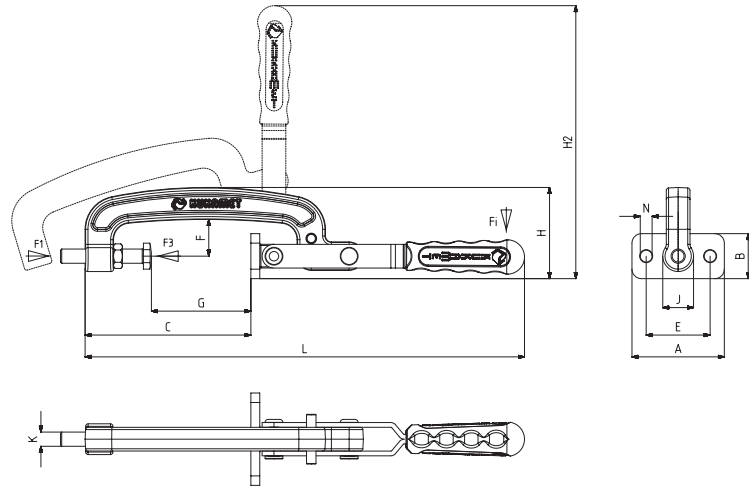
Squeezing Type Toggle Clamps

MODEL NO	F1 (N)	F3 (N)	Fi	(WEIGHT) (gr)
			VERİM (YIELD) (F1:Fi)	
811-1	1000	2500	27:1	700
811-2	3500	4500	36:1	1060
811-3	4000	6000	38:1	1600

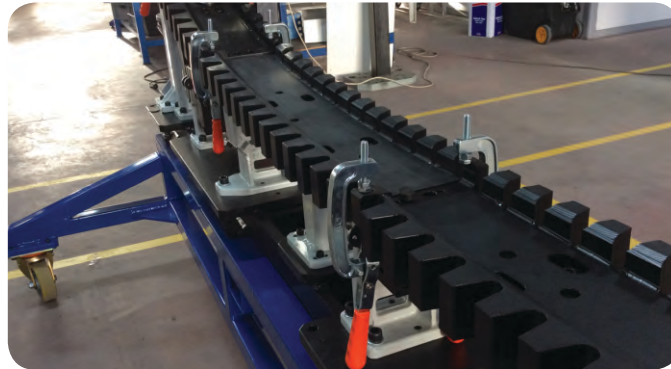
F1 : BASKI KUVVETİ (EXERTING FORCE) , F3 : TUTMA KAPASİTESİ (HOLDING CAPACITY) ,
Fi : UYGULAMA KUVVETİ (APPLIED FORCE)



Body Mounting Base Horizontal



Product Features;
The products are strong and suited for heavy duty applications.
The clamping jaw is made of hot forged steel.
The remaining parts are made of galvanized steel for corrosion resistance.



MODEL NO	A	B	C	D	E	F	G Min.	G Max.	H	H2	J	K	L	M	N
811-1	58	38	77		40	24	23	50	60	204	16	M8	282		Ø 8
811-2	68	38	110		45	28	46	80	69	217	20	M10	330		Ø 8
811-3	78	38	140		54	31	53	100	77	230	26	M12	372		Ø 10



تلفن : (021) 33913364 - 33951660

فکس : (021) 33985603