

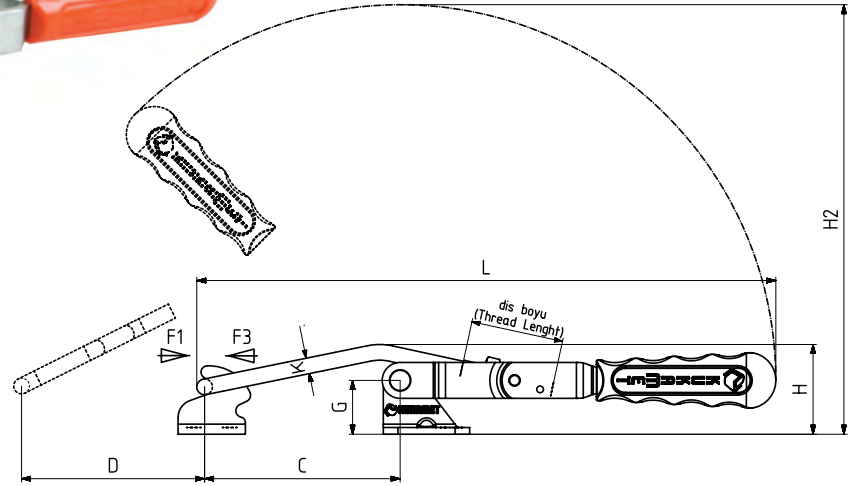
Latch Toggle Clamps With C Hook

421

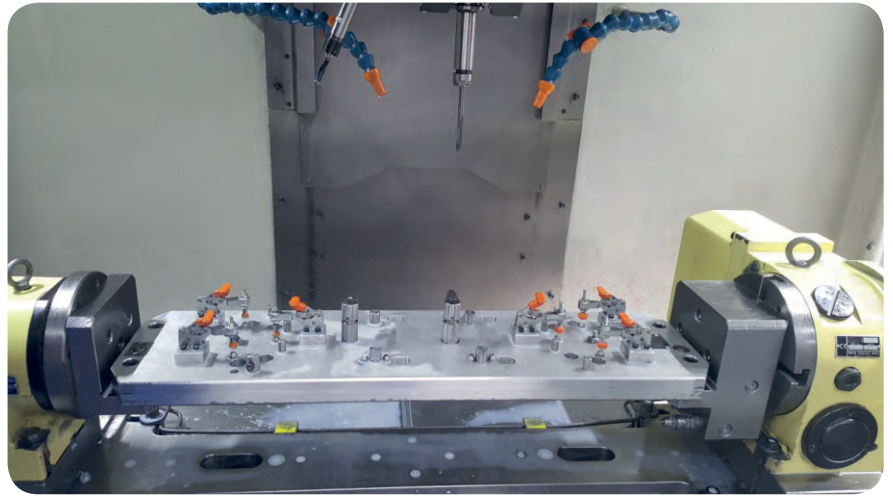
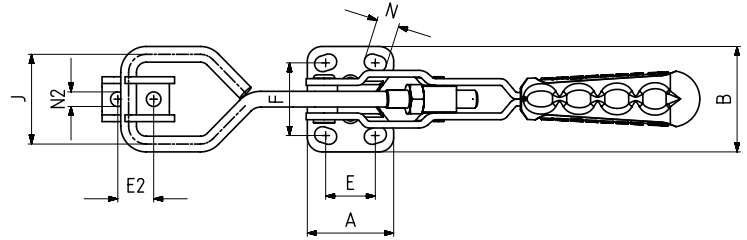


MODEL NO	(STAINLESS)	(BLACK)	F1 (N)	F3 (N)	STROK (DIŞ BOYU) (STROKE) (thread length)	(WEIGHT) (gr)
421-3	S 421 -	B 421 -	2000	2500	41	320

F1 : BASKI KUVVETİ (EXERTING FORCE), F3 : TUTMA KAPASİTESİ (HOLDING CAPACITY)
Paslanmaz C Kancalı ürünlerin çekme kuvvetleri %30 daha azdır. (Stainless stell latch clamps tensile strength are %30 more less)



Body Mounting Base Horizontal



MODEL NO	A	B	C Min.	C Max.	D	E	E2	F	G	H	H2	J	K	L Min.	L Max.	N	N2
421-3	38.5	47	77	97	80	19-25	16	31,5-33	24	42	190	40	M 8	255	275	7x10	Ø 6.5



تلفن : (021) 33913364 - 33951660

فکس : (021) 33985603