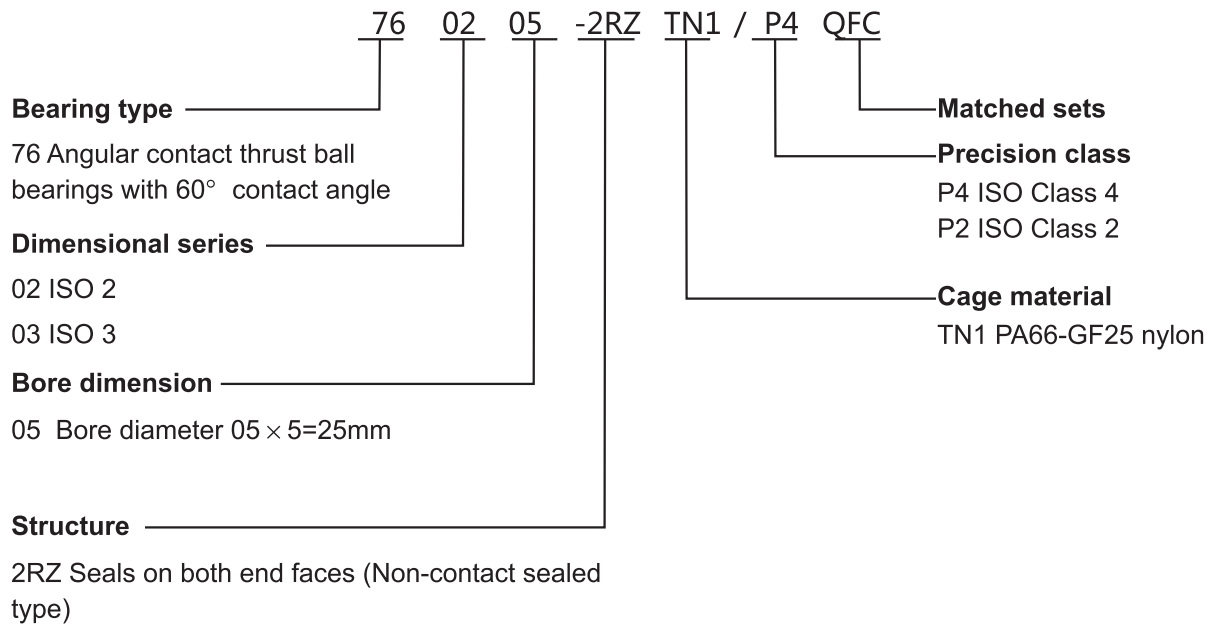
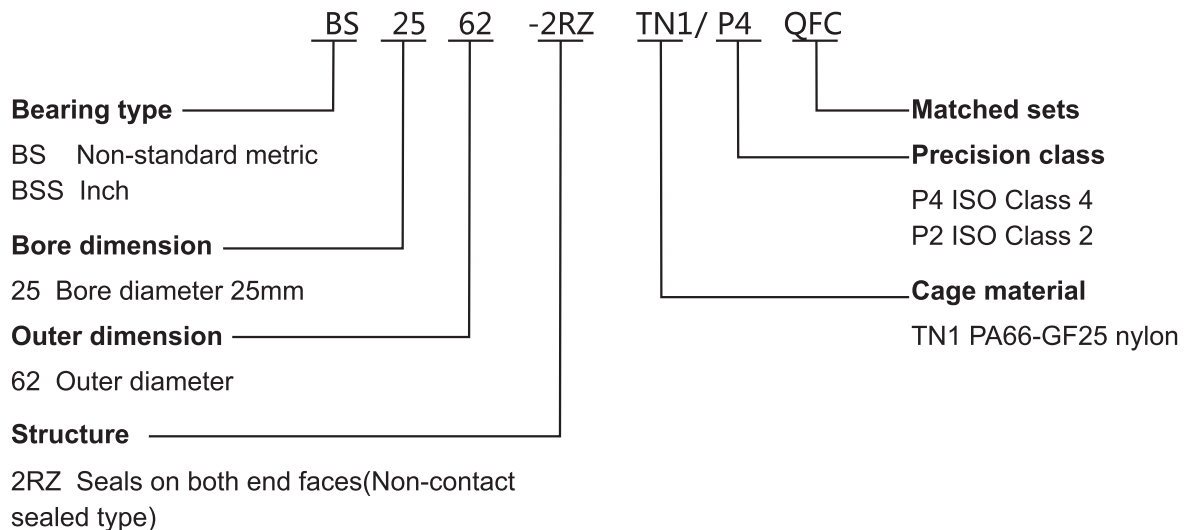


## Ball screw support bearings

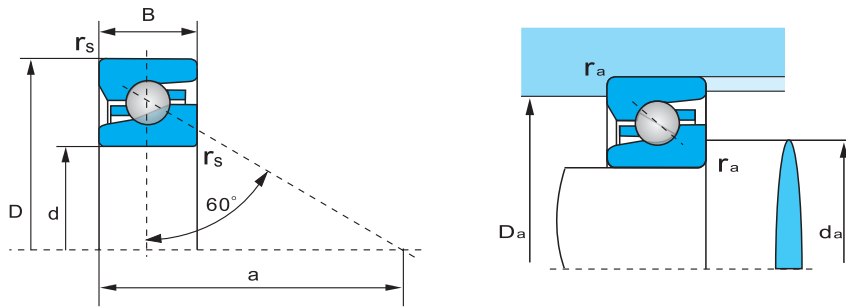
### Designation of ZYS ball screw support bearings(standard metric)



### Designation of ZYS ball screw support bearings(non-standard series)



## ZYS® PRECISION ROLLING BEARINGS



BS non-standard metric series

| Bearing designations<br>ZYS | Boundary dimensions |     |      |                   |     | Reference mounting dimensions |                |                | Load rating    |                 | Limiting speed |       | Weight |
|-----------------------------|---------------------|-----|------|-------------------|-----|-------------------------------|----------------|----------------|----------------|-----------------|----------------|-------|--------|
|                             |                     |     |      |                   |     | d <sub>a</sub>                | D <sub>a</sub> | r <sub>a</sub> |                |                 | Grease         | Oil   |        |
|                             | d                   | D   | B    | r <sub>smin</sub> | a   | h12                           | H12            | max            | C <sub>a</sub> | C <sub>oa</sub> | Grease         | Oil   | kg     |
|                             | mm                  |     |      |                   |     | ≈                             |                |                | KN             |                 | r/min          |       | ≈      |
| BS 1547TN1-P4GB             | 15                  | 47  | 15   | 1.0               | 35  | 27.5                          | 39.5           | 1.0            | 21.5           | 27              | 12000          | 17000 | 0.14   |
| BS 1747TN1-P4GB             | 17                  | 47  | 15   | 1.0               | 35  | 27.5                          | 39.5           | 1.0            | 21.5           | 27              | 12000          | 17000 | 0.14   |
| BS 2047TN1-P4GB             | 20                  | 47  | 15   | 1.0               | 37  | 27.5                          | 39.5           | 1.0            | 19.3           | 25              | 12000          | 17000 | 0.13   |
| BS 2562TN1-P4GB             | 25                  | 62  | 15   | 1.0               | 46  | 38.0                          | 52.0           | 1.0            | 28.5           | 41.5            | 9000           | 13000 | 0.24   |
| BS 3062TN1-P4GB             | 30                  | 62  | 15   | 1.0               | 48  | 39.5                          | 52.5           | 1.0            | 26             | 39              | 9000           | 13000 | 0.23   |
| BS 3072TN1-P4GB             | 30                  | 72  | 15   | 1.0               | 52  | 45.0                          | 61.0           | 1.1            | 31             | 54              | 8000           | 11000 | 0.35   |
| BS 3572TN1-P4GB             | 35                  | 72  | 15   | 1.0               | 54  | 46.5                          | 60.5           | 1.1            | 30             | 50              | 8000           | 11000 | 0.30   |
| BS 4072TN1-P4GB             | 40                  | 72  | 15   | 1.0               | 56  | 49.0                          | 62.5           | 1.1            | 28             | 49              | 8000           | 11000 | 0.26   |
| BS 4090TN1-P4               | 40                  | 90  | 20   | 1.5               | 67  | 56.5                          | 75.5           | 1.5            | 50             | 83              | 6300           | 8500  | 0.65   |
| BS 4575TN1-P4               | 45                  | 75  | 15   | 1.0               | 60  | 52.0                          | 68.0           | 1.0            | 28.5           | 52              | 7500           | 10000 | 0.26   |
| BS 45100TN1-P4GB            | 45                  | 100 | 20   | 1.5               | 74  | 64.5                          | 85.5           | 1.5            | 58.5           | 104             | 5600           | 7500  | 0.81   |
| BS 50100TN1-P4GB            | 50                  | 100 | 20   | 1.5               | 76  | 64.5                          | 85.5           | 1.5            | 58.5           | 104             | 5600           | 7500  | 0.75   |
| BS 5590TN1-P4               | 55                  | 90  | 15   | 1.0               | 70  | 65.0                          | 80.0           | 1.0            | 32.5           | 65.5            | 6300           | 8500  | 0.38   |
| BS 55100TN1-P4              | 55                  | 100 | 20   | 1.5               | 77  | 69.5                          | 85.5           | 1.5            | 40.5           | 81.5            | 6000           | 8000  | 0.75   |
| BS 55120TN1-P4              | 55                  | 120 | 20   | 1.5               | 86  | 77.0                          | 97.5           | 2.0            | 60             | 116             | 5000           | 6700  | 1.18   |
| BS 60120TN1-P4              | 60                  | 120 | 20   | 1.5               | 88  | 79.5                          | 100.5          | 1.5            | 61             | 120             | 4800           | 6300  | 1.11   |
| BS 75110TN1-P4              | 75                  | 110 | 15   | 1.5               | 88  | 85.0                          | 99.5           | 1.5            | 35.5           | 83              | 5000           | 6700  | 0.75   |
| BS 100150TN1-P4             | 100                 | 150 | 22.5 | 2.0               | 120 | 114.5                         | 135.0          | 2.0            | 69.5           | 173             | 3800           | 5000  | 1.37   |

BSS inch series

| Bearing designations<br>ZYS | Boundary dimensions |      |        |                   |     | Reference mounting dimensions |                |                | Load rating    |                 | Limiting speed |       | Weight |
|-----------------------------|---------------------|------|--------|-------------------|-----|-------------------------------|----------------|----------------|----------------|-----------------|----------------|-------|--------|
|                             |                     |      |        |                   |     | d <sub>a</sub>                | D <sub>a</sub> | r <sub>a</sub> |                |                 | Grease         | Oil   |        |
|                             | d                   | D    | B      | r <sub>smin</sub> | a   | h12                           | H12            | max            | C <sub>a</sub> | C <sub>oa</sub> | Grease         | Oil   | kg     |
|                             | mm                  |      |        |                   |     | ≈                             |                |                | KN             |                 | r/min          |       | ≈      |
| BSS 2047TN1-P4              | 20.000              | 47   | 15.875 | 1.0               | 38  | 27.5                          | 39.5           | 1.0            | 19.3           | 25              | 12000          | 17000 | 0.13   |
| BSS 2362TN1-P4              | 23.838              | 62   | 15.875 | 1.0               | 45  | 38.0                          | 52.0           | 1.0            | 28.5           | 41.5            | 9000           | 13000 | 0.24   |
| BSS 3872TN1-P4              | 38.100              | 72   | 15.875 | 1.0               | 56  | 49.0                          | 62.5           | 1.1            | 28             | 49              | 8000           | 11000 | 0.26   |
| BSS 4476TN1-P4              | 44.475              | 76.2 | 15.875 | 1.0               | 60  | 52.0                          | 68.0           | 1.0            | 28.5           | 52              | 7500           | 10000 | 0.26   |
| BSS 5790TN1-P4              | 57.150              | 90   | 15.875 | 1.0               | 72  | 65.0                          | 80.0           | 1.0            | 32.5           | 65.5            | 6300           | 8500  | 0.38   |
| BSS 76110TN1-P4             | 76.200              | 110  | 15.875 | 1.5               | 88  | 85.0                          | 99.5           | 1.5            | 35.5           | 83              | 5000           | 6700  | 0.75   |
| BSS 101145TN1-P4            | 101.600             | 145  | 22.225 | 1.5               | 118 | 114.5                         | 132.0          | 2.0            | 69.5           | 173             | 3800           | 5000  | 1.37   |

