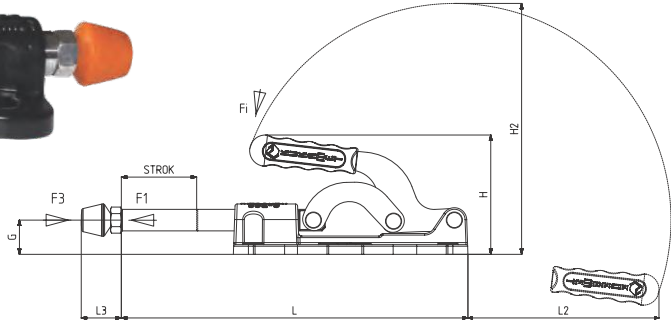




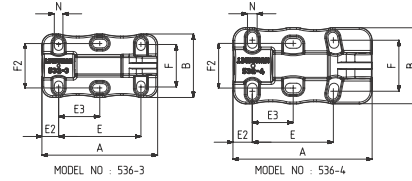
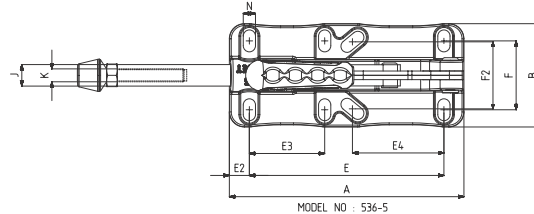
## Straight Line Push-Pull Type Toggle Clamps

MODEL NO	F1 (N)	F3 (N)	Fi	BASKI VİDASI (SQUEEZE SCREW)	STROK	(WEIGHT) (gr)
			VERİM (YIELD) (F1:Fi)			
536-3 (Ø 12)	2500	2500	16:1	M8X50	38	590
536-3 (Ø 14)	2500	2500	16:1	M8X50	38	610
536-4 (Ø 16)	4500	4500	23:1	M10X70	47	1030
536-4 (Ø 18)	4500	4500	23:1	M10X70	47	1060
536-5 (Ø 20)	7500	7500	30:1	M12X80	92	2870

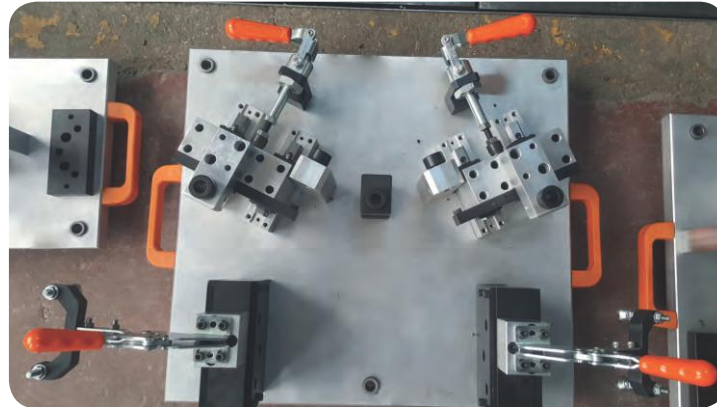
F1 : BASKI KUVVETİ ( EXERTING FORCE ), F3 : TUTMA KAPASİTESİ ( HOLDING CAPACITY )  
Fi : UYGULAMA KUVVETİ ( APPLIED FORCE )



Body Mounting Base Horizontal, Casting  
(180° opening handle)



Product Features ;  
The products are strong and suited for heavy duty applications.  
The body is made of strong GGG-60 casting and coated with black electrostatic powder paint.  
The rod is made of hard chrome plated steel for high wear and corrosion resistance and the mechanism parts are made of galvanized steel for corrosion resistance.



MODEL NO	A	B	C	D	E	E2	E3	E4	F	F2	G	H	H2	J	K	L	L2	L3 Min	L3 Max	M	N
536-3 (Ø 12)	107	59			76,5	15,5	35,5 - 41		36,5 - 42,5	41	17,5	73	127	12	M8	156	91	24	58		8 x 11
536-3 (Ø 14)	107	59			76,5	15,5	35,5 - 41		36,5 - 42,5	41	17,5	73	127	14	M8	156	91	24	58		8 x 11
536-4 (Ø 16)	130	71			74,5 - 75,5	18	35 - 41		41,5 - 53	41,5	20,5	86	159	16	M10	188	117	32	81		9 x 15
536-4 (Ø 18)	130	71			74,5 - 75,5	18	35 - 41		41,5 - 53	41,5	20,5	86	159	18	M10	188	117	32	81		9 x 15
536-5 (Ø 20)	218	96			180,5	18,5	70	80 - 90	55 - 73	54 - 70,5	31,8	131	234	20	M12	322	169	39	94		11 x 20

