

Model	Matching Drivers
20CM003	EM3E-522 / EM415S
20CM005	EM3E-522 / EM415S
28CM006	EM3E-522 / EM415S
28CM010	EM3E-522 / EM415S
28CM013	EM3E-522 / EM415S
35CM015	EM3E-522 / EM415S
35CM04	EM3E-522 / EM415S
42CM02	EM3E-522 / EM415S / EM542S / Em402 / Dm422
42CM02-1A	EM3E-522 / EM415S / EM542S / Em402 / Dm422
42CM04	EM3E-522 / EM415S / EM542S / Em402 / Dm422
42CM04-1A	EM3E-522 / EM415S / EM542S / Em402 / Dm422
42CM06	EM3E-522 / EM3E-542 / EM542S / Mx3660 / Mx4660 / Em402 / Em503 / Dm422 / Dm556
42CM06-1A	EM3E-522 / EM3E-542 / EM415S / EM542S / Em402 / Dm422
42CM08	EM3E-522 / EM3E-542 / EM542S / Mx3660 / Mx4660 / Em402 / Em503 / Dm422 / Dm556
42CM08-1A	EM3E-522 / EM3E-542 / EM415S / EM542S / Em402 / Dm422
57CM06	EM3E-542/EM3E-556/EM542S/EM556S/Mx3660/Mx4660/Em503/Dm556/Dm856/DM805-AI
57CM13	EM3E-542/EM3E-556/EM542S/EM556S/MX3660/MX4660/DM556/DM856/DM805-AI
57CM13-3A	EM3E-542/EM3E-556/EM542S/EM556S/MX3660/MX4660/EM503/EM705/DM556/DM856/DM870/DM805-AI
57CM23	EM3E-556/EM3E-870/EM556S/MX3660/MX4660/EM705/DM556/DM856/DM870/DM805-AI
57CM23-3A	EM3E-542/EM3E-556/EM542S/EM556S/MX3660/MX4660/EM503/EM705/DM556/DM856/DM870/DM805-AI
57CM23-4A	EM3E-556/EM3E-870/EM556S/MX3660/MX4660/EM705/DM556/DM856/DM870/DM805-AI
57CM23-4A-0-I6	EM3E-556/EM3E-870/EM556S/MX3660/MX4660/EM705/DM556/DM856/DM870/DM805-AI
57CM26	EM3E-556/EM3E-870/EM556S/MX3660/MX4660/EM705/DM556/DM856/DM870/DM805-AI
57CM26-4A	EM3E-556/EM3E-870/EM556S/MX3660/MX4660/EM705/DM556/DM856/DM870/DM805-AI
57-CM26-4A-0-I6	EM3E-556/EM3E-870/EM556S/MX3660/MX4660/EM705/DM556/DM856/DM870/DM805-AI
D57CM21	E,3E-556/EM3E-870/EM556S/MX3660/MX4660/EM705/EM806/DM856/DM805-AI
D57CM21-4A	EM3E-556/EM3E-870/EM556S/MX3660/MX4660/EM503/EM705/EM806/DM556/DM856/DM870/DM805-AI



Model	Matching Drivers
D57CM31	EM3-556/EM3E-870/EM556S/MX3660/MX4660/EM705/EM806/DM856/DM805-AI
D57CM31-4A	EM3E-556/EM3E-870/EM556S/MX3660/MX4660/EM503/EM705/EM806/DM556/DM856/DM870/DM805-AI
D57CM31-4A-0-I9	EM3E-556/EM3E-870/EM556S/MX3660/MX4660/EM503/EM705/EM806/DM556/DM856/DM870/DM805-AI
60CM22X	EM3E-556/EM3E-870/EM556S/MX3660/MX4660/EM705/EM806/DM556/DM856/DM870/DM805-AI
60CM30X	EM3E-556/EM3E-870/EM556S/MX3660/MX4660/EM705/EM806/DM556/DM856/DM870/DM805-AI
86CM35	EM3E-556/EM3E-870/EM556S/MX3660/MX4660/EM705/EM806/DM856/DM870/DM805-AI
86CM45	EM3E-870/MX3660/MX4660/EM705/EM806/DM856/DM870/DM805-AI
86CM80	EM3E-870/EM705/EM806/DM870/DM805-AI/DM1182/DM2282
86CM85	EM3E-870/EM705/EM806/DM870/DM805-AI/DM1182/DM2282
86CM120	EM3E-870/EM705/EM806/DM870/DM805-AI/DM1182/DM2282



NEMA 17 2-phase

Overview:

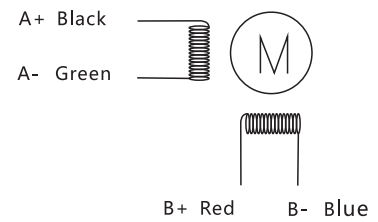
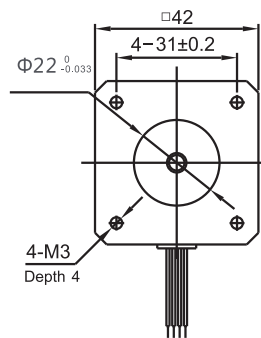
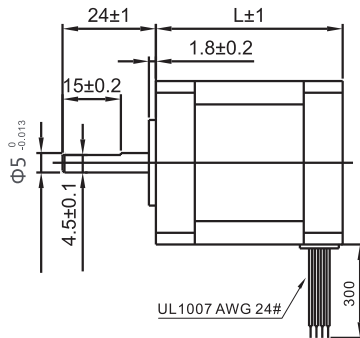
CM series NEMA 17 two-phase stepper motor covers multiple types of standard motors from 0.2 Nm to 0.8 Nm.

Note: In such specifications tables, (**) represents recommended models with permanent inventory;



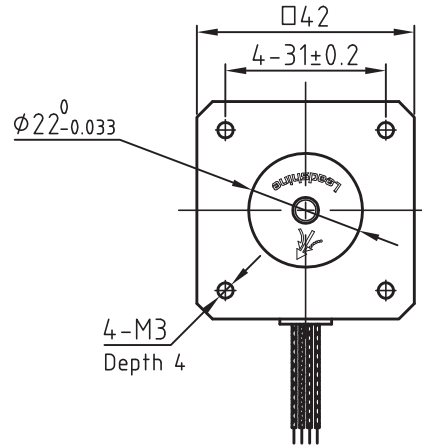
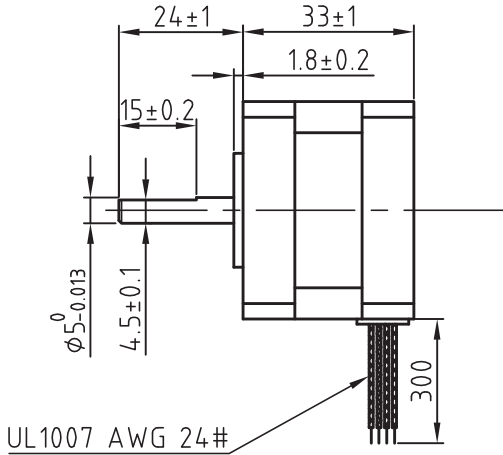
Standard Models:

Length (mm)	Model	Holding Torque (N.m)	Rate Current (A)	Resistance/Phase(Ω)	Inductance/Phase(mH)	Inertia (Kg.cm ²)	Matching Drives
33	42CM02-1A	0.21	1	4.5	6.5	0.035	EM415S
	42CM02	0.21	1.5	1.4	1.4	0.035	EM422S
40	42CM04-1A	0.4	1	4.0	7.9	0.054	EM415S
	42CM04	0.4	1.5	2.3	4.3	0.054	EM422S
47	42CM06-1A	0.6	1.5	2.2	4.5	0.072	EM422S
	42CM06	0.6	2.5	0.9	1.6	0.072	EM432S
60	42CM08-1A	0.8	1.5	3.0	6.9	0.110	EM422S
	42CM08	0.8	2.5	1.0	2.4	0.110	EM432S

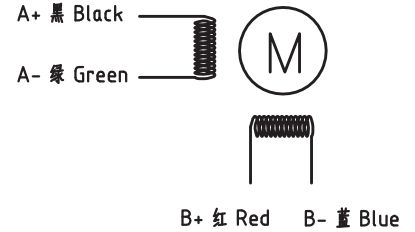


42CM02

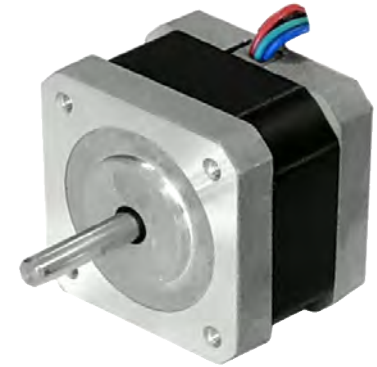
Dimension: (Unit: mm)



Motor Connctions:



UL1007 AWG 24#



Common Rating

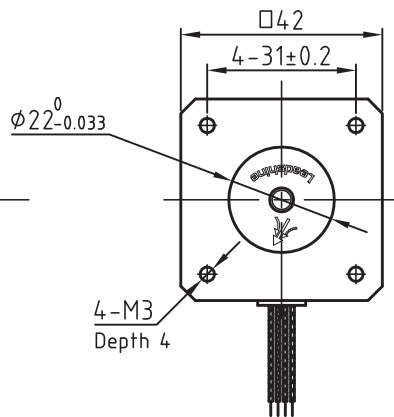
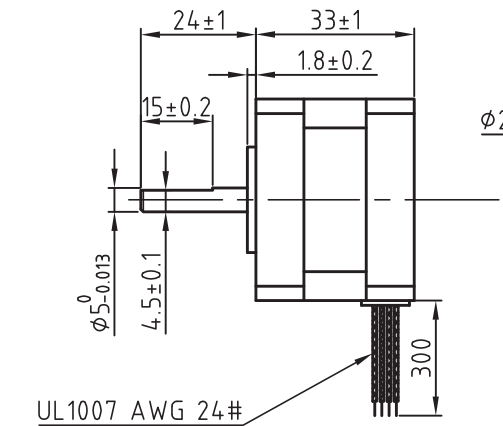
Step angle	1.8°
Position accuracy	1.8±0.09°
Dielectric strength	500VAC 1min
Insulation resistance	100MΩ(500VDC)
Insulation class	B
Temp rise(Max)	80K
Radial play	Max.0.02mm(Load 450g)
Axial play	Max.0.08mm(Load 900g)

Specification:

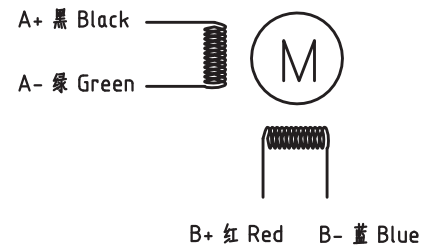
Current/phase	1.5 A
Voltage	2.1 V
DC Resistance/phase ±10%	1.4 Ω
Inductance/phase ±20%	1.4 mH
Holding torque	0.21 N·M
Inertia	0.035 kg·cm ²
Weight	0.2 kg

42CM02-1A

Dimension: (Unit: mm)



Motor Connctions:



UL1007 AWG 24#



Common Rating

Step angle	1.8°
Position accuracy	1.8±0.09°
Dielectric strength	500VAC 1min
Insulation resistance	100MΩ(500VDC)
Insulation class	B
Temp rise(Max)	80K
Radial play	Max.0.02mm(Load 450g)
Axial play	Max.0.08mm(Load 900g)

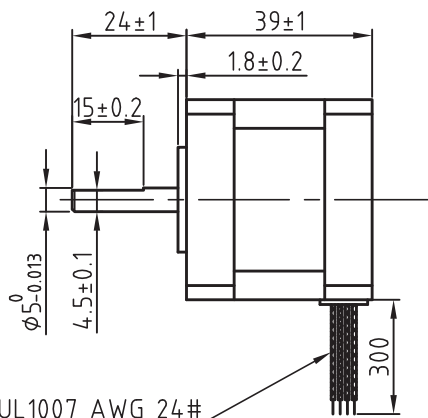
Specification:

Current/phase	1.0 A
Voltage	4.5 V
DC Resistance/phase ±10%	4.5 Ω
Inductance/phase ±20%	6.5 mH
Holding torque	0.21 N·M
Inertia	0.035 kg·cm ²
Weight	0.2kg

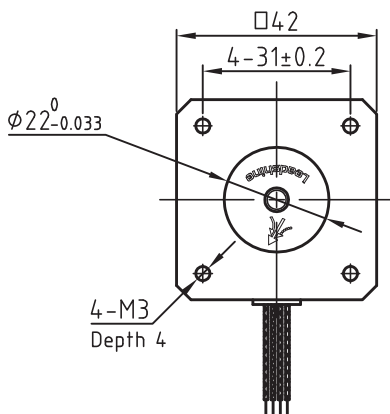


42CM04

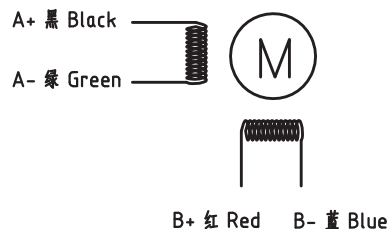
Dimension: (Unit: mm)



UL1007 AWG 24#



Motor Connctions:

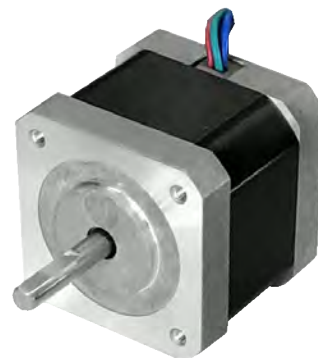


Common Rating

Step angle	1.8°
Position accuracy	1.8±0.09°
Dielectric strength	500VAC 1min
Insulation resistance	100MΩ(500VDC)
Insulation class	B
Temp rise(Max)	80K
Radial play	Max.0.02mm(Load 450g)
Axial play	Max.0.08mm(Load 900g)

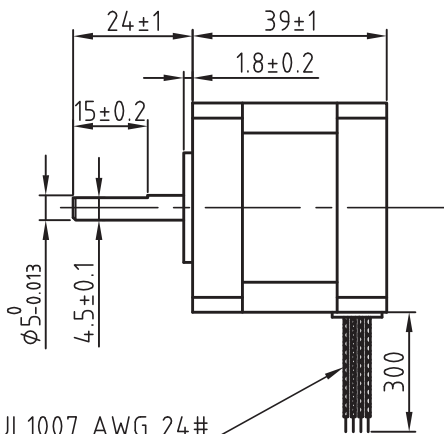
Specification:

Current/phase	1.5 A
Voltage	3.5 V
DC Resistance/phase ±10%	2.3 Ω
Inductance/phase ±20%	4.3 mH
Holding torque	0.4 N·M
Inertia	0.054 kg·cm ²
Weight	0.28 kg

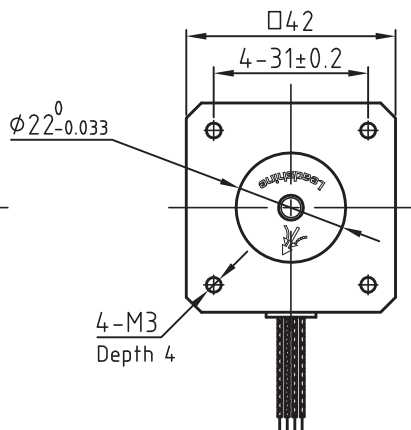


42CM04-1A

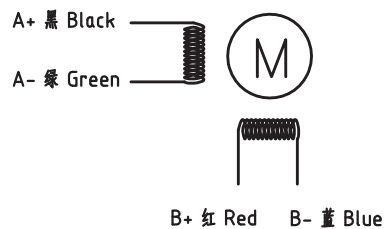
Dimension: (Unit: mm)



UL1007 AWG 24#



Motor Connctions:

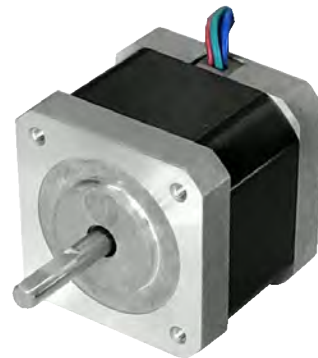


Common Rating

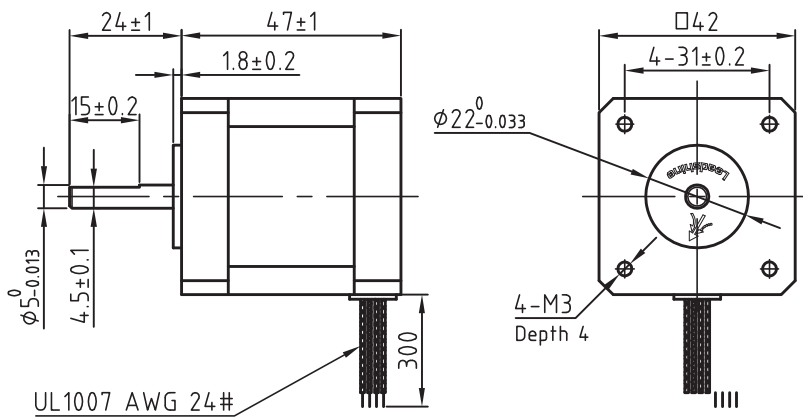
Step angle	1.8°
Position accuracy	1.8±0.09°
Dielectric strength	500VAC 1min
Insulation resistance	100MΩ(500VDC)
Insulation class	B
Temp rise(Max)	80K
Radial play	Max.0.02mm(Load 450g)
Axial play	Max.0.08mm(Load 900g)

Specification:

Current/phase	1.0 A
Voltage	4.0 V
DC Resistance/phase ±10%	4.0 Ω
Inductance/phase ±20%	7.9 mH
Holding torque	0.4 N·M
Inertia	0.054 kg·cm ²
Weight	0.28 kg

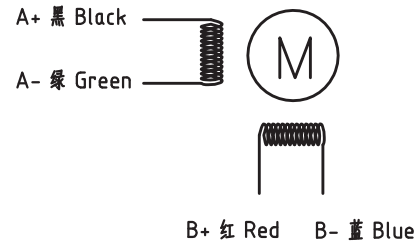


42CM06



Dimension: (Unit: mm)

Motor Connctions:

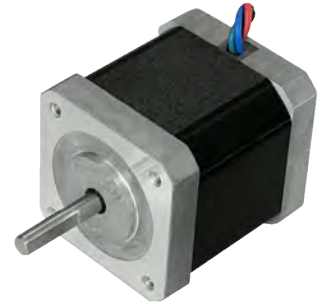


Common Rating

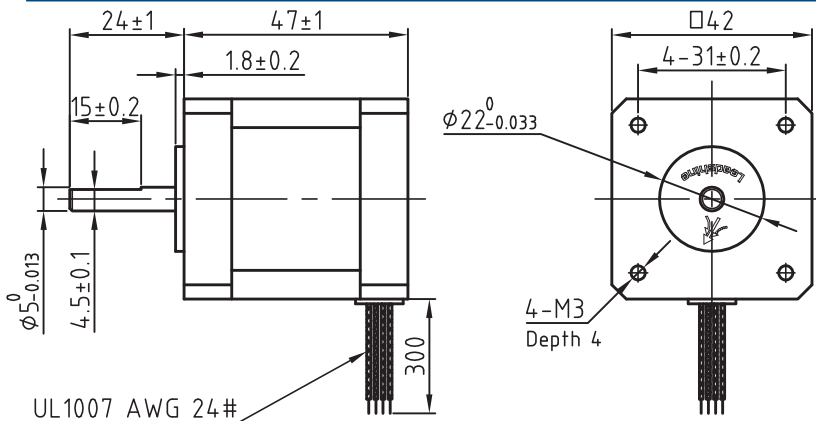
Step angle	1.8°
Position accuracy	1.8±0.09°
Dielectric strength	500VAC 1min
Insulation resistance	100M0hm(500VDC)
Insulation class	B
Temp rise(Max)	80K
Radial play	Max.0.02mm(Load 450g)
Axial play	Max.0.08mm(Load 900g)

Specification:

Current/phase	2.5 A
Voltage	2.3 V
DC Resistance/phase ±10%	0.9 Ω
Inductance/phase ±20%	1.6 mH
Holding torque	0.6 N·M
Inertia	0.072 kg·cm ²
Weight	0.35 kg

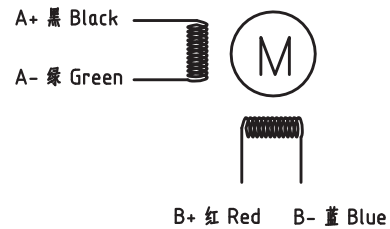


42CM06-1A



Dimension: (Unit: mm)

Motor Connctions:

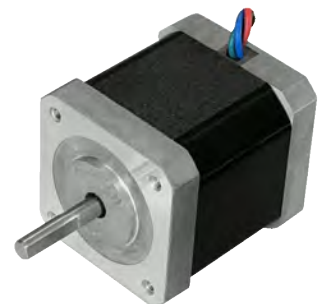


Common Rating

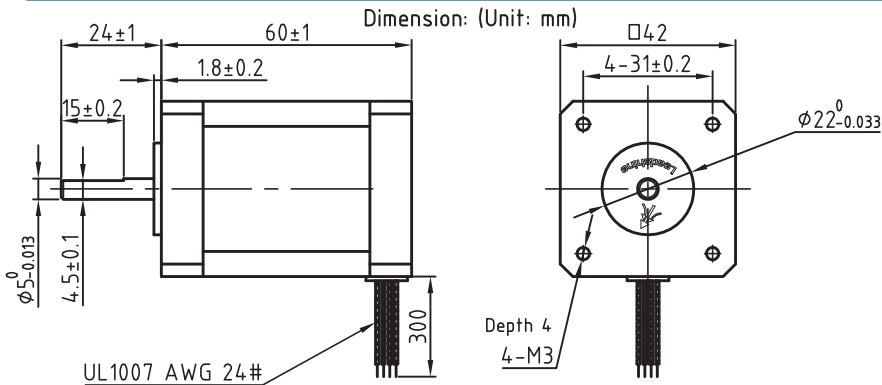
Step angle	1.8°
Position accuracy	1.8±0.09°
Dielectric strength	500VAC 1min
Insulation resistance	100M0hm(500VDC)
Insulation class	B
Temp rise(Max)	80K
Radial play	Max.0.02mm(Load 450g)
Axial play	Max.0.08mm(Load 900g)

Specification:

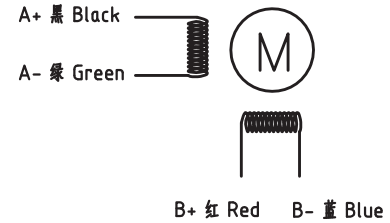
Current/phase	1.5 A
Voltage	3.3 V
DC Resistance/phase ±10%	2.2 Ω
Inductance/phase ±20%	4.5 mH
Holding torque	0.6 N·M
Inertia	0.072 kg·cm ²
Weight	0.35 kg



42CM08



Motor Connctions:



Common Rating

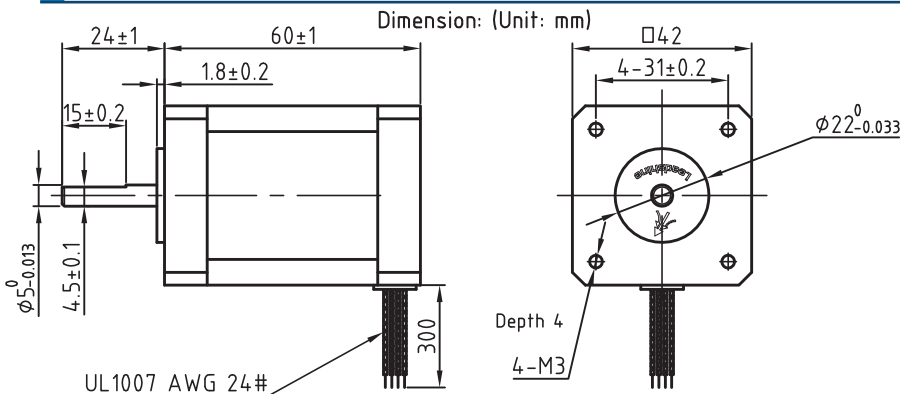
Step angle	1.8°
Position accuracy	1.8±0.09°
Dielectric strength	500VAC 1min
Insulation resistance	100MΩhm(500VDC)
Insulation class	B
Temp rise(Max)	80K
Radial play	Max.0.02mm(Load 450g)
Axial play	Max.0.08mm(Load 900g)

Specification:

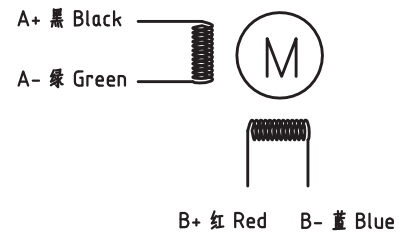
Current/phase	2.5 A
Voltage	2.5 V
DC Resistance/phase ±10%	1.0 Ω
Inductance/phase ±20%	2.4 mH
Holding torque	0.8 N·M
Inertia	0.11 kg·cm ²
Weight	0.5 kg



42CM08-1A



Motor Connctions:



Common Rating

Step angle	1.8°
Position accuracy	1.8±0.09°
Dielectric strength	500VAC 1min
Insulation resistance	100MΩhm(500VDC)
Insulation class	B
Temp rise(Max)	80K
Radial play	Max.0.02mm(Load 450g)
Axial play	Max.0.08mm(Load 900g)

Specification:

Current/phase	1.5 A
Voltage	4.5 V
DC Resistance/phase ±10%	3.0 Ω
Inductance/phase ±20%	6.9 mH
Holding torque	0.8 N·M
Inertia	0.11 kg·cm ²
Weight	0.5 kg

