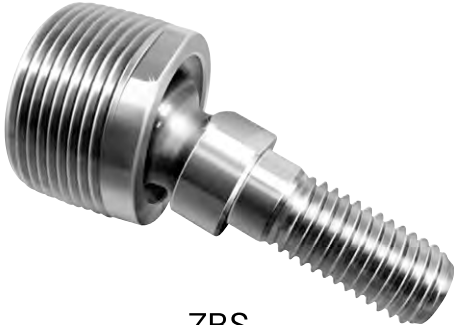
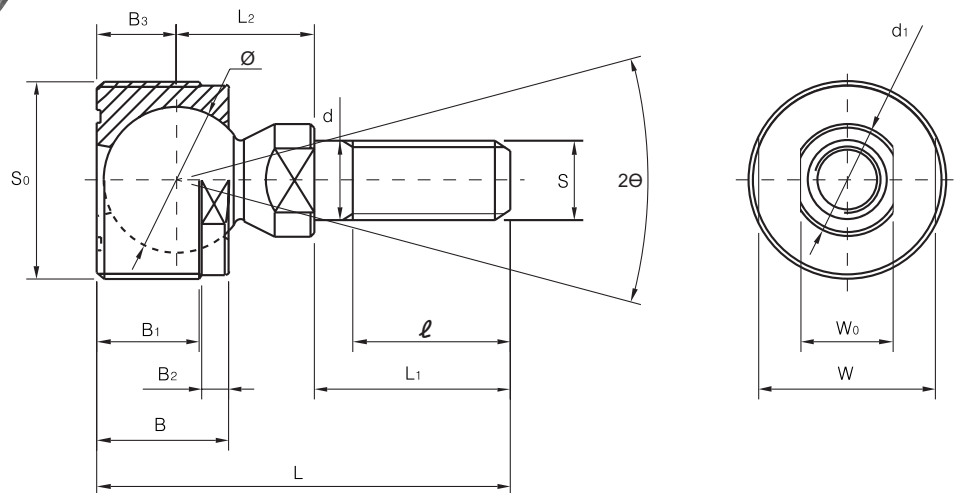


We take great pride in developing and manufacturing our bearings for ourselves.

BALL JOINTS



ZBS



(Bearing No.)	mm		mm							
	S_0	L	B	B_1	B_2	B_3	W_0 -0.3	d h9	S	
ZBS 6	M20×1.5	34.2	11.5	8	2.5	7	17	6	M6×1.0	
ZBS 8	M22×1.5	41.5	14.5	11	2.5	8.5	19	8	M8×1.25	
ZBS 10	M25×1.5	55.5	17	13.5	4	10	22	10	M10×1.5	
ZBS 12	M30×1.5	63	20	15.5	4	12	27	12	M12×1.75	

mm											
\varnothing	d	L_1	L_2	ℓ	W_0 -0.3	2θ	Pk N	Cs N	Csa N	Csa N	g
12.7	10	15	12.2	11	8	30L격	2,450	13,700	4,900	12,000	30
15.8	12	17	16	12	10	30L격	5,200	24,600	10,400	17,600	50
19.0	13.5	26	19.5	21	11	30L격	7,250	32,700	14,400	25,000	80
22.2	17	30	21	24	14	30L격	9,220	44,000	18,300	35,000	130

