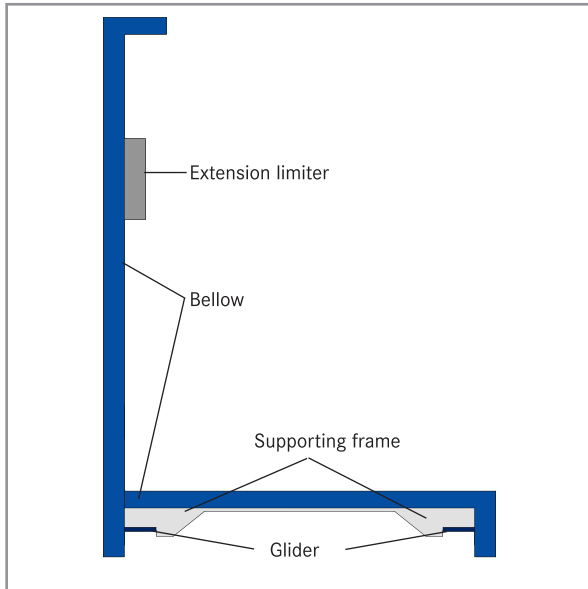


COVERS FOR MOVING COLUMN MACHINES

These machines with their large travel and working space areas require a special solution.

For the workspace area, both backwall systems and large bellows with or without lamellas are suitable.



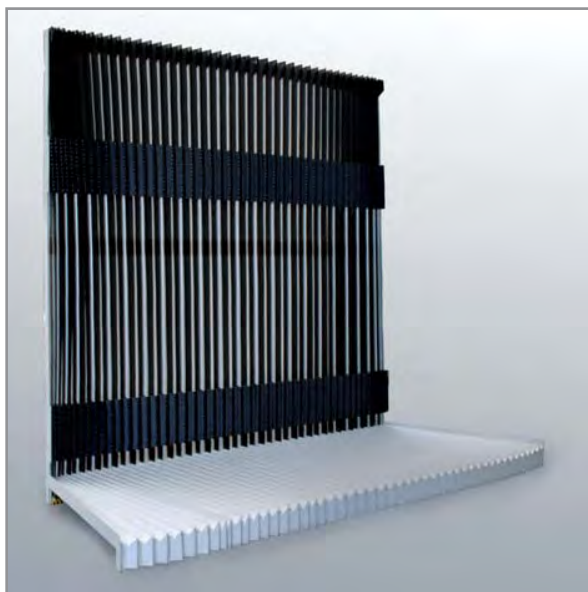
Typical backwall cover

Depending on the machine type and its concept two design principles are applicable:

- Column type cover
- Venetian blind type

Column type cover

This design principle is used if a guiding rail is not possible. The column milling cover type is L-shaped and runs on gliders.



Cover for column miller used for medical applications

Order and request forms available at: www.hema-group.com

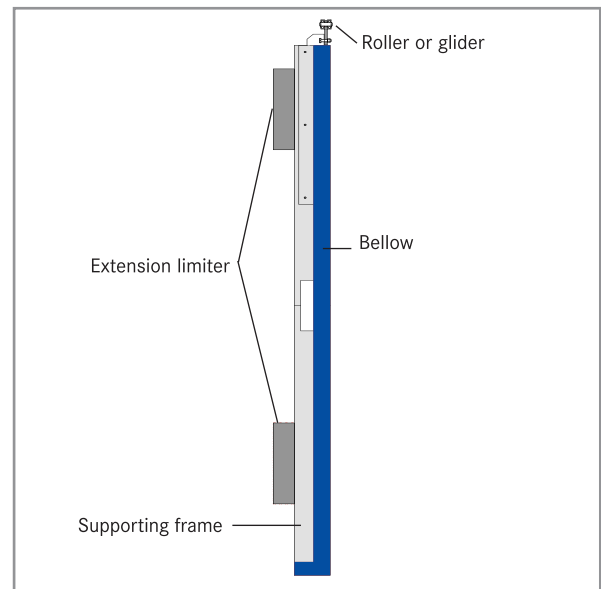
Venetian blind type

If a guiding frame is available, the bellow can be supported using profiles, roller or rail systems.

The guiding system has been successfully tested on a high speed test machine at the PTW under worst conditions. Over one million cycles were recorded.



Venetian blind type cover with SAMURAI Bellows for moving column machine



Design of venetian blind cover



CUBE BACKWALL SYSTEMS

Milling machine centres are fitted with complete backwall systems.

The design of an individual solution is time and cost intensive, and these can be reduced only if larger piece numbers are produced.

A modular built-up rear wall system can reduce the engineering efforts even for a single backwall - and the CUBE Backwall system was developed.

- Suitable for protection systems for two axes
- Significant reduction of engineering time
- Fast and detailed information for machine engineering
- The costs for each CUBE rear wall system are well below the costs of an individually designed concept



CUBE Backwall system

These features benefit machine builders with smaller production numbers and special machines.

The great savings in time and money compared with previous construction requests and orders could otherwise only be managed with large production numbers of identical design.

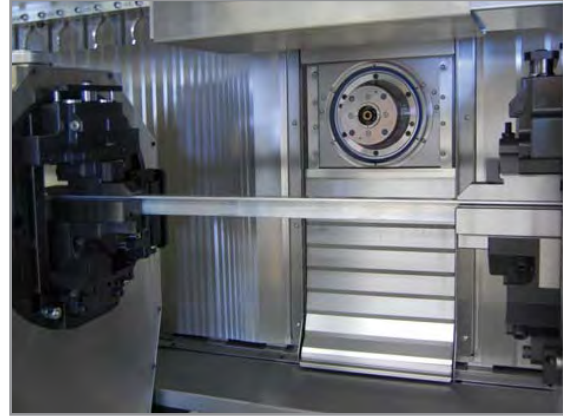
Design

Using the straightforward formulas we can determine the width and the height of the outside frame of the cover and for the sheet metal design and then provide these for the machine construction. The covers in the CUBE model consist of bellows which are incorporated along the X and Y axis fitted individually for the perfect match. Depending on the loads and machine travel speeds we select suitable bellow guiding:

- CUBE 60: standard profiled glider guide for speeds up to 60 m/min
- CUBE 80: Backwall system with rail glider guide for speeds up to 80 m/min
- CUBE 80+: High load roller rail guide for speeds over 80 m/min
- CUBE X: Customized solutions

For backwall protection SAMURAI Bellows are used. Fixed mounted stainless steel lamellas protect the bellows against hot and sharp edged swarf.

All dimensions in mm if not marked otherwise. Errors and omissions excepted.



Through spindle

The spindle opening is designed to the customer's requirements.

The frame construction is made of solid warp resistant steel sheet. The mounting options for the rear wall can be integrated in the frame construction, but the force transmission along the X axis requires connections to the machine in the upper and lower areas.

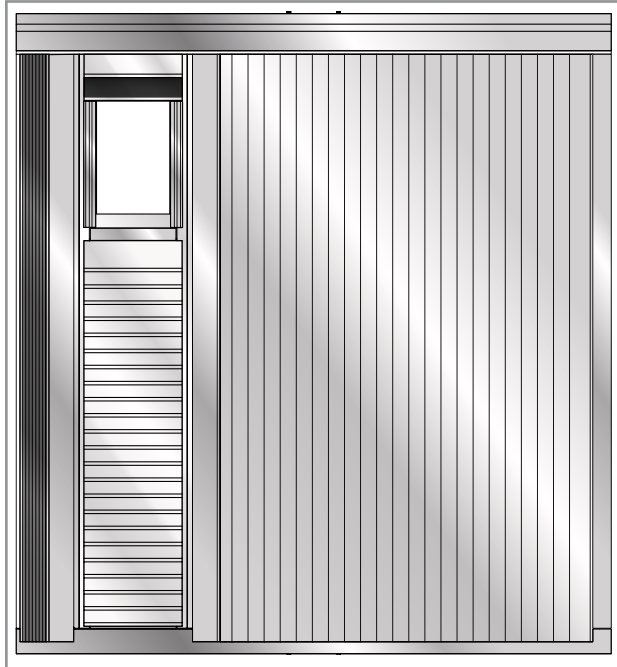
For an optimum load transmission to the X axis cover protection, this cover must be connected at the top and bottom with the moving column or other supporting machine parts.

Versions of CUBE X with large extensions up to five meters long and three meters high have already been realized.

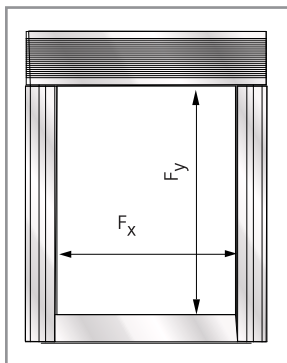
Additional concepts such as DynaSynchro or pantographs can absorb the dynamic loads. Therefore a travelling speed up to 120 m/min can be realized.



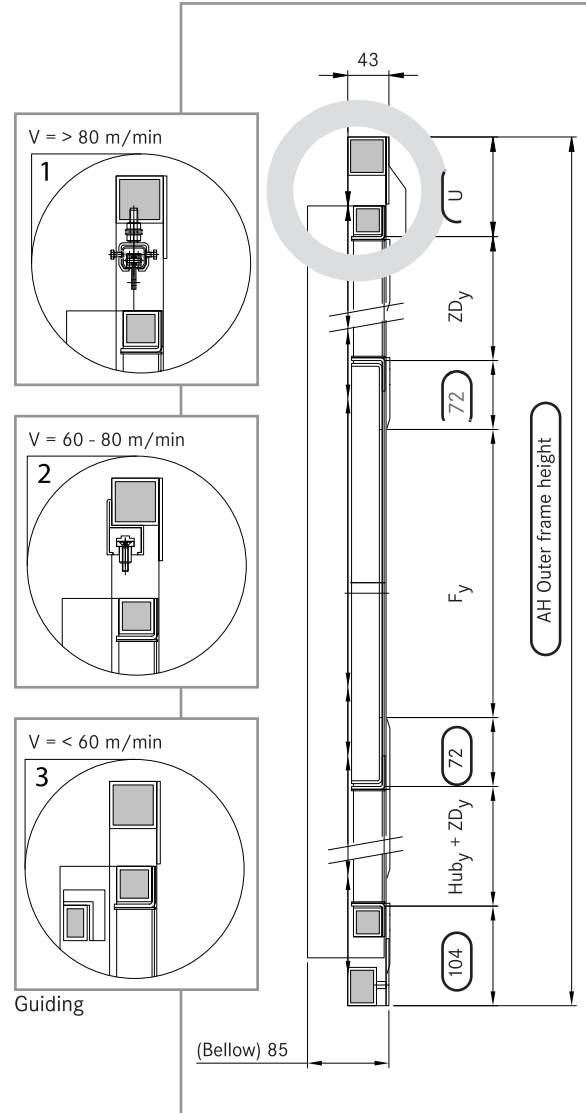
CUBE BACKWALL SYSTEMS



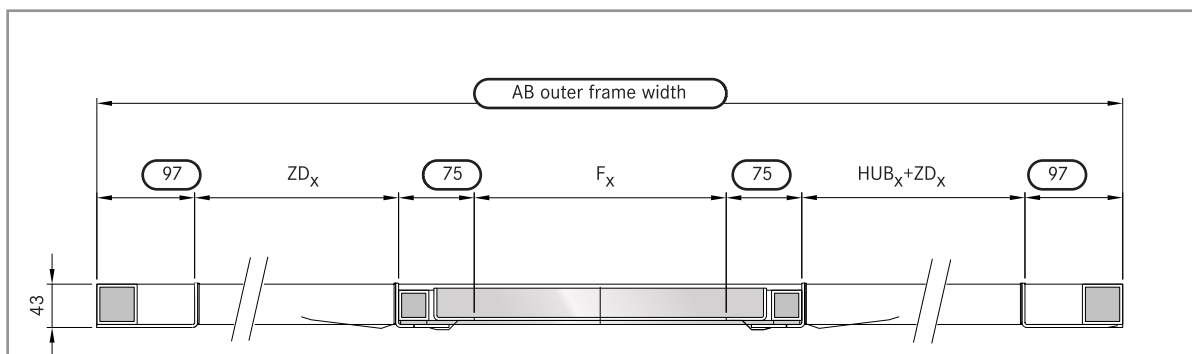
CUBE



Calculation of spindle opening



Calculation of outer frame height



Calculation of outer frame width

Order and request forms available at: www.hema-group.com

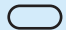


CUBE BACKWALL SYSTEMS

CUBE	Guiding (V m/min)	Application area
CUBE 60	Standard glider guiding	up to 60 m/min
CUBE 80	Rail glider guiding	up to 80 m/min
CUBE 80+	Roller glide guiding	up to 80 m/min
CUBE X	customized	customized

Design

Data to be provided by customer

V_x	Travel speed in X direction
V_y	Travel speed in Y direction
Hub_x	Required working area travel in X direction
Hub_y	Required working area travel in Y direction
F_x	Width of opening for spindle lead-through
F_y	Height of opening for spindle
ZD_x	Required compression length X axis
ZD_y	Required compression length Y axis
AB	Frame width CUBE
AH	Frame height CUBE
U	Fixed dimensions upper bar
	HEMA specification values

Factors of compression

CUBE 60	
ZD Faktor _{60x}	0.12
U_{60}	104 mm
CUBE 80	
ZD Faktor _{80x}	0.155
U_{80}	137 mm
CUBE 80+	
ZD Faktor ₈₀₊	0.165
U_{80+}	137 mm
Allgemeinfaktor Y-Achse	
ZDFaktor _y	0.075

Basic principle for calculation

These data also cover extreme situations. If less space is available in the customer's machine construction, the data are adapted accordingly.

Calculation example

Example calculation for CUBE 80+

V_x	80 m/min
V_y	80 m/min
Hub_x	800 mm
Hub_y	650 mm
F_x	200 mm
F_y	200 mm

Calculation of the compression

$$ZD_x = Hub_x \times ZDFactor_{80+} = 800 \text{ mm} \times 0.165 = [132 \text{ mm}]$$

$$ZD_y = Hub_y \times ZDF_y = 650 \text{ mm} \times 0.075 = [49 \text{ mm}]$$

[] = values rounded up without decimal place

Calculation the results for CUBE₈₀₊

Outside frame width in X direction:

$$AB = (\text{System spec. value}^*) + Hub_x + F_x + 2 \times ZD_x$$

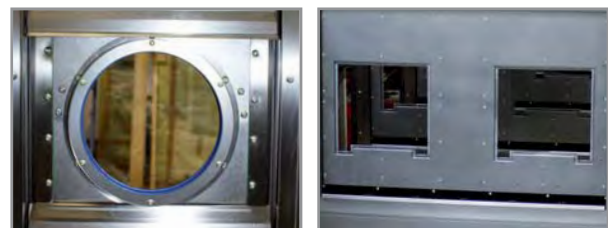
$$AB = (97 + 75 + 75 + 97) + 800 + 200 + 2 \times 132 = 1.608 \text{ mm}$$

Outside frame height in Y direction

$$AH = (\text{System spec. value}^*) + U_{80+} + Hub_y + F_y + 2 \times ZD_y$$

$$AH = (104 + 72 + 72) + 137 + 650 + 200 + 2 \times 49 = 1.333 \text{ mm}$$

*HEMA system specification values



Types of spindle openings

All dimensions in mm if not marked otherwise. Errors and omissions excepted.



تلفن : (021) 33913364 - 33951660

فکس : (021) 33985603