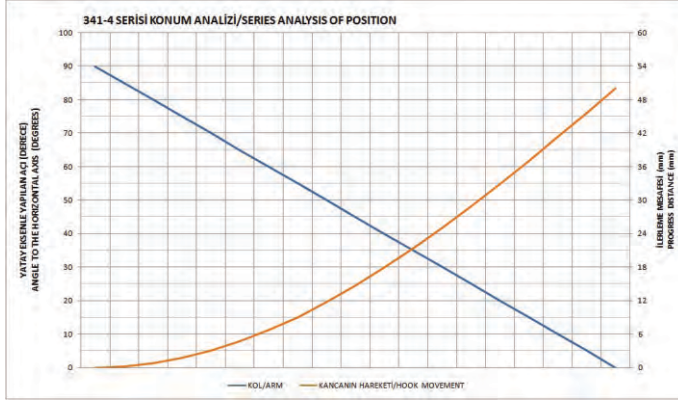


Latch Toggle Clamps With U Hook



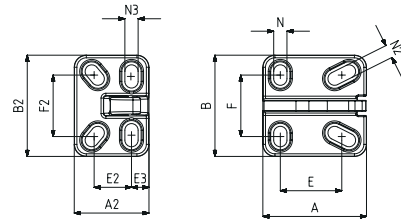
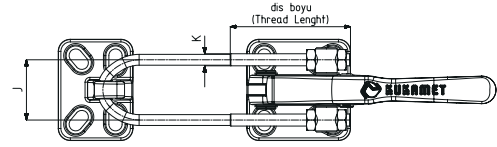
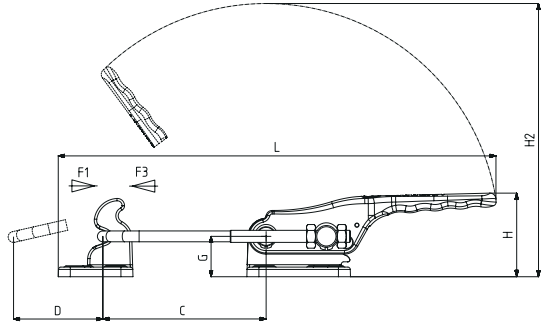
MODEL NO	F1 (N)	F3 (N)	STROK (DİŞ BOYU) (STROKE) (thread length)	(WEIGHT) (gr)
341-4	15000	17000	130	1850
341-5	20000	25000	65	2235

F1 : BASKI KUVVETİ (EXERTING FORCE) , F3 : TUTMA KAPASİTESİ (HOLDING CAPACITY)

341

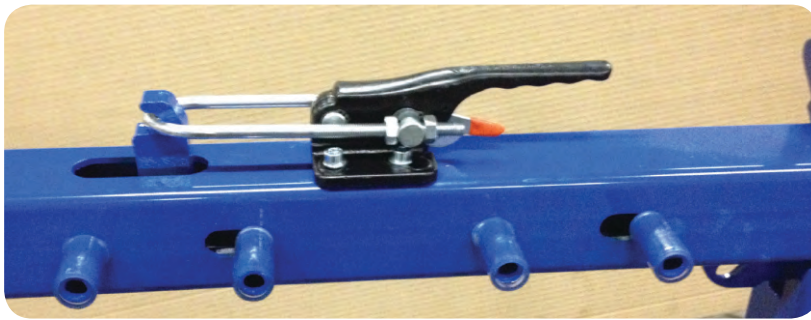


Body Mounting Base Casting



Product Features ;

The products are strong and suited for heavy duty applications.
The base, arm and stretching part are made of strong GGG-60 casting and coated with black electrostatic powder paint.
Hook and pins are made of galvanized steel for corrosion resistance.



MODEL NO	A	A2	B	B2	C Min.	C Max.	D	E	E2	E3	F	F2	G	H	H2	J	K	L Min.	L Max.	N	N2	N3
341-4	86	62	84	84	50	135	80	45 - 57	28 - 33	15	45 - 57	45 - 57	33,5	69	230	50	M10	280	365	11x17	11x24	11x19
341-5	86	66	84	84	50	70	80	45 - 57	28 - 35	20	45 - 57	45 - 57	33,5	89	230	56	M12	280	298	11x17	11x24	11x19



تلفن : (021) 33913364 - 33951660

فکس : (021) 33985603