

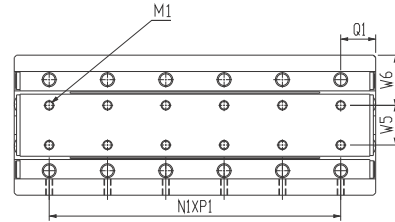
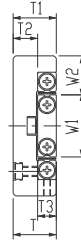
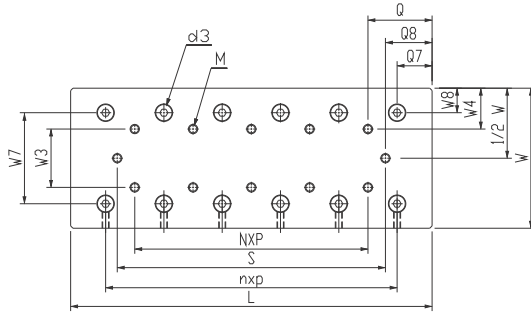
Linear Motion Component ► Guides & Bearings ► Slide Table

GRA / GRA - N / GRA - B

GRA-B

GRA-N

GRA



Model No.			Max. Stroke (mm)	Roller Dia. (mm)	Main Dimensions (mm)			Table Mounting Dimensions (mm)																			
Standard	Antirust	Black Coating			W	T	L	W ₃	W ₄	W ₇	W ₆	Q	Q ₇	Q ₈	N*P	M	n*p	S	d ₃	T ₁	T ₂						
GRA30-25	GRA30-25-N	GRA30-25-B	12	Ø1.5	30±0.1	11±0.1	55	10	10	18.4	5.8	12.5	7.5	7.5	3*10	M2	4*10	40	4.1	11	7						
GRA30-35	GRA30-35-N	GRA30-35-B	18																			25	2.5	/	1*10	20	
GRA30-35	GRA30-35-N	GRA30-35-B	18																			35	4.5	1*10	2*10	26	
GRA30-45	GRA30-45-N	GRA30-45-B	25																			45	6	2*10	3*10	33	
GRA30-55	GRA30-55-N	GRA30-55-B	32																			65	8.5	4*10	5*10	48	
GRA30-65	GRA30-65-N	GRA30-65-B	40																			75	11	5*10	6*10	53	
GRA30-75	GRA30-75-N	GRA30-75-B	45																			85	13.5	6*10	7*10	58	
GRA40-35	GRA40-35-N	GRA40-35-B	18	Ø2.0	14±0.1	35	25	7.5	10	3	/	1*15	29	6	14	8											
GRA40-50	GRA40-50-N	GRA40-50-B	30														50	12.5	4.5	1*15	1*25	41					
GRA40-65	GRA40-65-N	GRA40-65-B	40														65	20	7	2*15	1*25	51					
GRA40-80	GRA40-80-N	GRA40-80-B	50	Ø3.0	40±0.1	15±0.1	80	15	12.5	25.5	7.25	17.5	15	9.5	3*15	M3	2*25	61	7.5	15	7						
GRA40-95	GRA40-95-N	GRA40-95-B	60																			95	22.5	12	4*15	2*25	71
GRA40-110	GRA40-110-N	GRA40-110-B	70																			110	17.5	14.5	5*15	3*25	81
GRA40-125	GRA40-125-N	GRA40-125-B	80																			125	25	17	6*15	3*25	91
GRA60-55	GRA60-55-N	GRA60-55-B	30																			Ø3.0	60±0.1	18.5±0.1	130	25	17.5
GRA60-80	GRA60-80-N	GRA60-80-B	45	80	10.5	1*25	2*25	59																			
GRA60-105	GRA60-105-N	GRA60-105-B	60	105	15.5	2*25	3*25	74																			
GRA60-130	GRA60-130-N	GRA60-130-B	75	130	20.5	3*25	4*25	89																			
GRA60-155	GRA60-155-N	GRA60-155-B	90	155	25.5	4*25	5*25	104																			
GRA60-180	GRA60-180-N	GRA60-180-B	105	180	30.5	5*25	6*25	119																			
GRA60-205	GRA60-205-N	GRA60-205-B	130	205	30.5	6*25	7*25	144																			

Ordering Example :	GRA	30	25	N
	A type table	Table width	Table length	Antirust

Linear Motion Component ► Guides & Bearings ► Slide Table

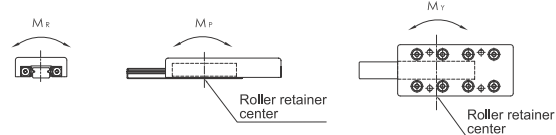
GRA / GRA - N / GRA - B



Material Specification

Component Material Model No.	Table	Rail	Retainer	Roller
GRA	Aluminum alloy +black anodized	SUJ2	SUS304	SUJ2
GRA - N	S50C+Ni	SUJ2+Ni	SUS304	SUJ2
GRA - B	S50C +phosphate	SUJ2	SUS304	SUJ2

GRA-N No Surface finished to V-groove surface of the rail.



★ Each of load and torque changes oppositely in stroke variation

Base Mounting Dimensions (Mm)									Basic Dynamic Load Rating C(N)	Basic Static Load Rating Co(N)	Allowable Load Fu(N)	Static Rated Moment			Weight (kg)		Table Moving Accuracy (µm)	
T ₃	W ₁	W ₂	W ₅	W ₆	N*P ₁	Q ₁	M ₁	M _R (N·m)				M _P (N·m)	M _Y (N·m)	Standard	Antitrust	Center Parallelism	Side Parallelism	
4	12.8	8.6	/	15	1*10	7.5	M2	379	576	192	2.6	1.2	1.4	0.03	0.05	2	4	
					2*10			523	865	288	3.9	2.6	3.0	0.04	0.08			
					3*10			657	1,153	384	5.2	4.6	5.2	0.05	0.10			
					4*10			783	1,441	480	6.5	7.2	7.9	0.06	0.12			
					5*10			903	1,729	576	7.8	10.4	11.2	0.07	0.15			
					6*10			1,131	2,306	769	10.4	18.4	17.3	0.09	0.17			
					7*10			1,240	2,594	865	11.7	23.3	22.0	0.10	0.19			
6	17	11.5	/	20	1*15	10	M3	8,95	1,170	390	7.0	3.1	3.9	0.07	0.13	2	4	
					1*25			2,901	4,567	1,522	42.6	22.8	26.6	0.13	0.21			
					1*25			2,901	4,567	1,522	42.6	22.8	19.0	0.14	0.25			
					2*25			4,338	7,611	2,537	71.0	63.4	57.1	0.20	0.33			
					2*25			3,640	6,089	2,030	56.8	40.6	45.7	0.21	0.36			
					3*25			5,005	9,133	3,044	85.2	91.3	98.9	0.27	0.45			
					3*25			5,005	9,133	3,044	85.2	91.3	83.7	0.28	0.48			
8	26.6	16.7	17	21.5	1*25	15	M4	2,901	4,567	1,522	42.6	22.8	26.6	0.23	0.43	3	5	
					2*25			4,338	7,611	2,537	71.0	63.4	57.1	0.34	0.62			
					3*25			5,646	10,655	3,552	99.5	124.3	115.4	0.45	0.82			
					4*25			6,268	12,178	4,059	113.7	162.4	172.5	0.57	1.02			
					5*25			7,462	15,222	5,074	142.1	253.7	266.4	0.66	1.21			
					6*25			8,603	18,266	6,089	170.5	365.3	350.1	0.77	1.41			
					7*25			9,157	19,789	6,596	184.7	428.8	445.2	0.87	1.60			
					7*25			9,157	19,789	6,596	184.7	428.8	445.2	0.87	1.60			

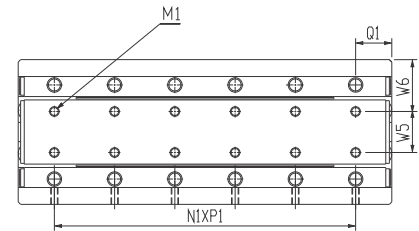
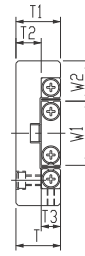
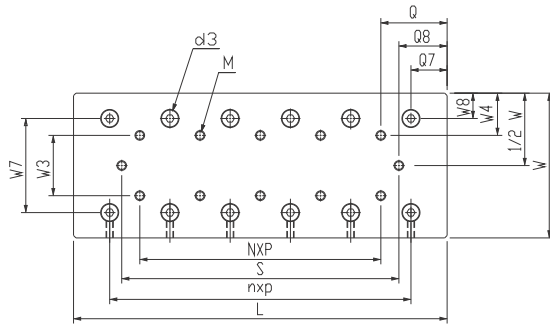
Linear Motion Component ► Guides & Bearings ► Slide Table

GRA / GRA - N / GRA - B

GRA

GRA-N

GRA-B



Model No.			Max. Stroke (mm)	Roller Dia. (mm)	Main Dimensions (mm)			Table Mounting Dimensions (mm)																		
Standard	Antirust	Black Coating			W	T	L	W ₃	W ₄	W ₇	W ₈	Q	Q ₇	Q ₈	N*P	M	n*p	S	d ₃	T ₁	T ₂					
GRA80-85	GRA80-85-N	GRA80-85-B	50	Ø4.0	80±0.1	24±0.1	205	40	20	53	13.5	42.5	22.5	28	3*40	M5	4*40	149	9.5	24	13					
GRA80-125	GRA80-125-N	GRA80-125-B	75																			125	18	1*40	2*40	89
GRA80-165	GRA80-165-N	GRA80-165-B	105																			165	23	2*40	3*40	119
GRA80-205	GRA80-205-N	GRA80-205-B	135																			205	38	4*40	5*40	169
GRA80-245	GRA80-245-N	GRA80-245-B	155																			245	43	5*40	6*40	199
GRA80-285	GRA80-285-N	GRA80-285-B	185																			285	48	6*40	7*40	229
GRA80-325	GRA80-325-N	GRA80-325-B	215																			325	48	6*40	7*40	229
GRA100-110	GRA100-110-N	GRA100-110-B	60	Ø6.0	100±0.1	31±0.1	260	50	25	64	18	55	30	38.5	3*50	M6	4*50	183	11	31	16					
GRA100-160	GRA100-160-N	GRA100-160-B	95																			160	23.5	1*50	2*50	113
GRA100-210	GRA100-210-N	GRA100-210-B	130																			210	31	2*50	3*50	148
GRA100-260	GRA100-260-N	GRA100-260-B	165																			260	46	4*50	5*50	218
GRA100-310	GRA100-310-N	GRA100-310-B	200																			310	53.5	5*50	6*50	253
GRA100-360	GRA100-360-N	GRA100-360-B	235																			360	63.5	6*50	7*50	283
GRA100-410	GRA100-410-N	GRA100-410-B	265																			410	63.5	6*50	7*50	283
GRA145-210	GRA145-210-N	GRA145-210-B	130	Ø9.0	145±0.1	42.5±0.1	410	85	30	98	23.5	105	55	27	/	M8	1*100	156	14	43	21					
GRA145-310	GRA145-310-N	GRA145-310-B	180																			310	52	1*100	2*100	206
GRA145-410	GRA145-410-N	GRA145-410-B	350																			410	17	2*100	3*100	376
GRA145-510	GRA145-510-N	GRA145-510-B	450																			510	17	3*100	4*100	476
GRA145-610	GRA145-610-N	GRA145-610-B	550																			610	17	4*100	5*100	576

Ordering Example :	GRA	30	25	N
	A type table	Table width	Table length	Antirust

Linear Motion Component ► Guides & Bearings ► Slide Table

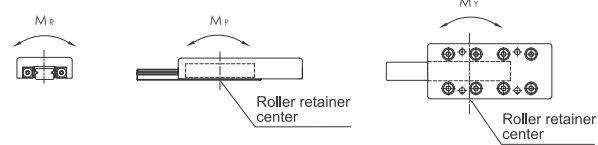
GRA / GRA - N / GRA - B



Material Specification

Component Material Model No.	Table	Rail	Retainer	Roller
GRA	Aluminum alloy +black anodized	SUJ2	SUS304	SUJ2
GRA - N	S50C+Ni	SUJ2+Ni	SUS304	SUJ2
GRA - B	S50C +phosphate	SUJ2	SUS304	SUJ2

GRA-N No Surface finished to V-groove surface of the rail.



★ Each of load and torque changes oppositely in stroke variation

Base Mounting Dimensions (mm)								Basic Dynamic Load Rating C(N)	Basic Static Load Rating Co(N)	Allow-able Load Fu(N)	Static Rated Moment			Weight (kg)		Table Moving Accuracy (μm)			
T ₃	W ₁	W ₂	W ₅	W ₆	N ₁ *P ₁	Q ₁	M ₁				M _R (N·m)	M _P (N·m)	M _Y (N·m)	Standard	Antirust	Center Parallelism	Side Parallelism		
11	38	21	27	26.5	1*40	22.5	M5	6,617	9,357	3,119	124.8	87.3	76.4	0.64	1.17	2	5		
								9,097	14,035	4,678	187.1	196.5	180.1	0.95	1.72			3	7
								10,264	16,375	5,458	218.3	267.5	286.6	1.25	2.27				
								12,496	21,053	7,018	280.7	442.1	466.7	1.56	2.83				
								14,612	25,732	8,577	343.1	660.4	690.5	1.87	3.39				
								16,646	30,410	10,137	405.5	922.4	957.9	2.18	3.94	4	8		
								18,612	35,089	11,696	467.8	1228.1	1187.2	2.49	4.50				
15	42	29	26	37	1*50	30	M6	13,923	21,053	7,018	315.8	2525.6	221.1	1.31	2.39	3	6		
								16,592	26,316	8,772	394.7	394.7	434.2	1.93	3.50			4	8
								21,592	36,842	12,281	552.6	773.7	828.9	2.56	4.61				
								26,285	47,369	15,790	710.5	1279.0	1207.9	3.16	5.70	3	7		
								30,744	57,895	19,298	868.4	1910.5	1823.7	3.78	6.81				
								35,024	68,421	22,807	1026.3	2668.4	2565.8	4.41	7.93				
								39,160	78,948	26,316	1184.2	3552.6	3434.2	5.03	9.04				
21	68.4	38.3	46	49.5	1*100	55	M8	46,991	72,741	24,247	1745.8	1697.3	1527.6	5.35	9.30	3	7		
								61,165	101,838	33,946	2444.1	3326.7	3564.3	7.96	13.79			4	8
								67,898	116,386	38,795	2793.3	4345.1	4073.5	10.47	18.18				
								80,829	145,482	48,494	3491.6	6789.2	6449.7	13.06	22.66				
								93,191	158,400	52800	2640.0	8870.4	8500.8	15.65	27.14				