

841

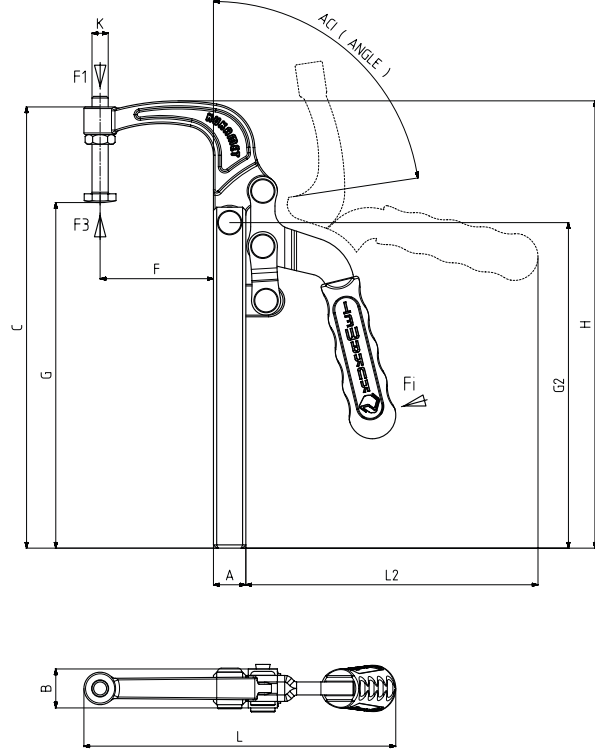
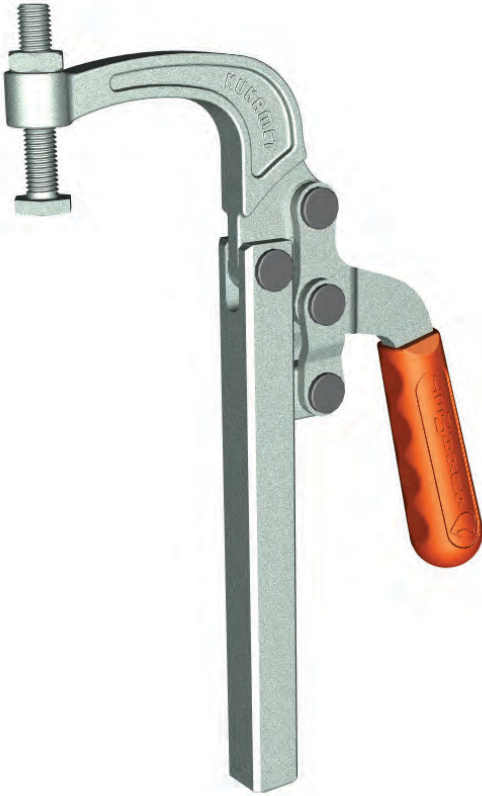


new

Squeezing Type Toggle Clamps

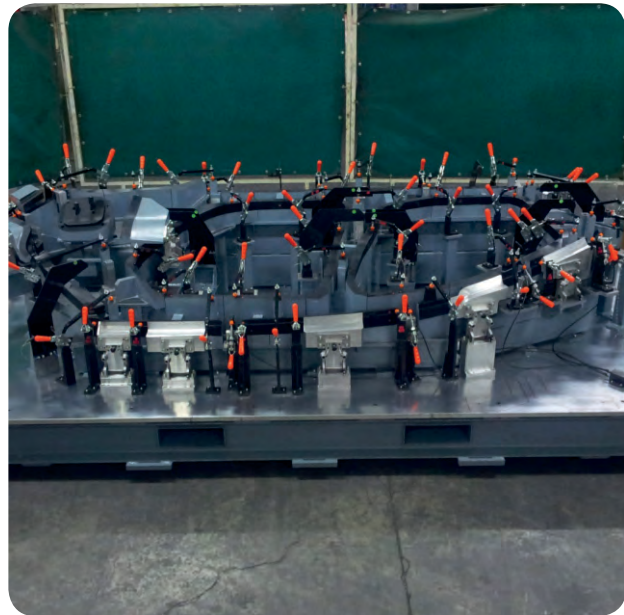
MODEL NO	F1 (N)	F3 (N)	F _i	(ANGLE)	(WEIGHT) (gr)
			VERİM (YIELD) (F1:F _i)		
841-2	3500	4000	9:1	82°	1320

F1 : BASKI KUVVETİ (EXERTING FORCE), F3 : TUTMA KAPASİTESİ (HOLDING CAPACITY),
F_i : UYGULAMA KUVVETİ (APPLIED FORCE)



Body Mounting Base With mounting bar

Product Features;
The products are strong and suited for heavy duty applications.
The clamping jaw is made of hot forged steel.
The remaining parts are made of galvanized steel for corrosion resistance.



MODEL NO	A	B	C	D	E	F	G min.	G max.	G2	H	J	K	L	L2	M	N
841-2	20 x 20	24	272			70	205	248	200	275		M10	193	180		



تلفن : (021) 33913364 - 33951660

فکس : (021) 33985603