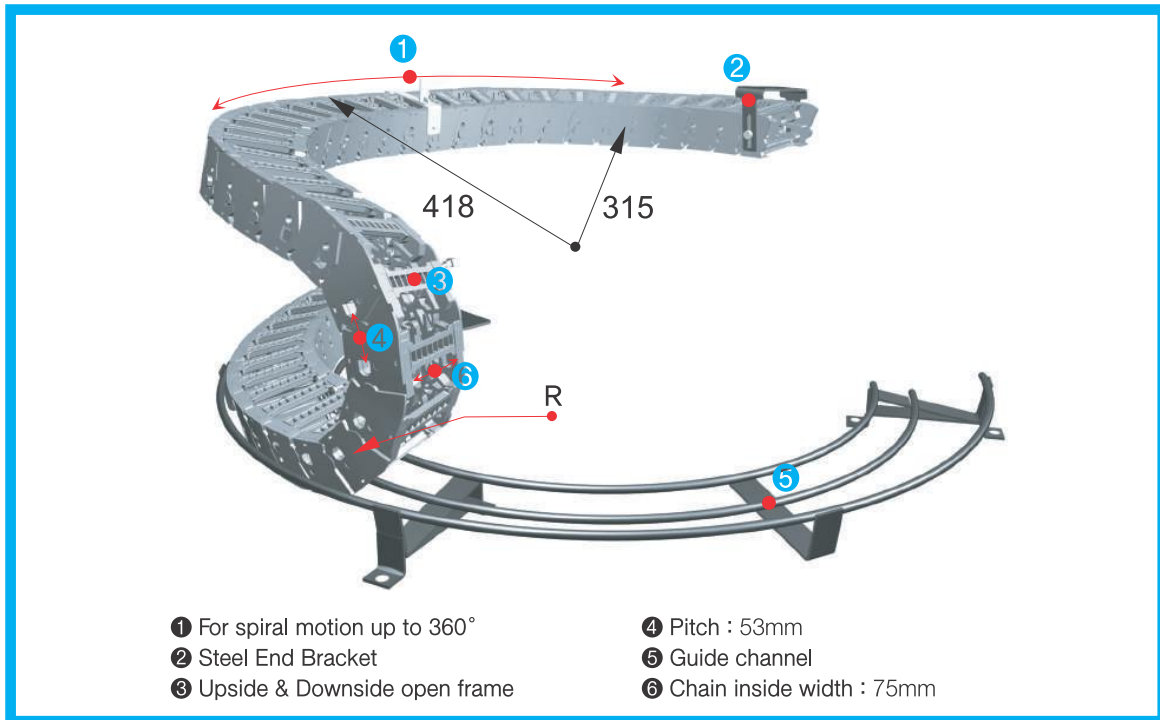
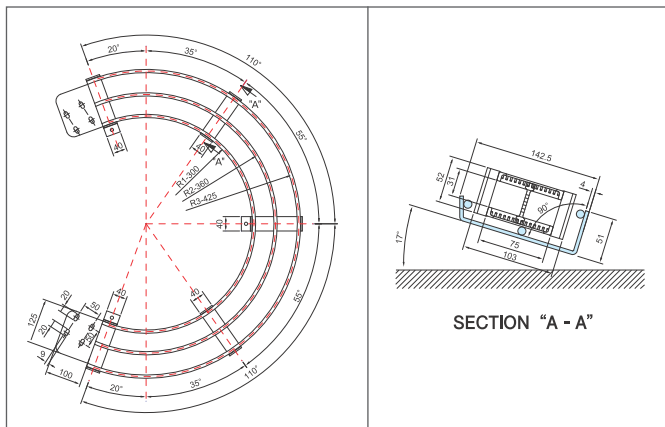


HX3553



» Guide Channel



Bending Radius (R)	
90	140

(Dimensions in mm)

» Calculation of required Number of Links

$$N = \left(\frac{\pi \times Or \times B}{360^\circ \times P} \right) + \frac{Lp}{P}$$

- N : Number of Links
- Or : Outer Radius
- B : Rotation angle
- P : Chain pitch
- Lp : $\pi R + 6p$

» Application

: Robot, Rotation Machine



» Ordering

HX3553, 075, R90 - 1000L : 10ST

