

## Actuator LD2

LD2 features its compact design, which is suitable for light load applications in constrained space, such as window opener and partition walls.



### Feature

---

- Main applications: Industrial, furniture
- Input voltage: 24V DC
- Max. load: 800N (push / pull)
- Max. speed at no load: 18 mm/sec
- Max. speed at full load: 14.1 mm/sec
- Stroke: 50 ~ 300 mm
- IP Protection level: IP43
- Color: Aluminum gray
- Preset limit switches
- Duty cycle: 10%, max. 2 min. continuous operation in 20 min.
- Ambient operation temperature: -25°C ~ +65°C
- Certified: CE marking, EMC Directive 2014/30/EU and 2004/108/EC



## Option

- IP54 Protection level
- Clamp: Clamp connection is available if rear connector is not preferred. Please contact our sales for details (Fig. 1)
- Mounting bracket (MB22) (Fig. 2)



Fig. 1



Fig. 2

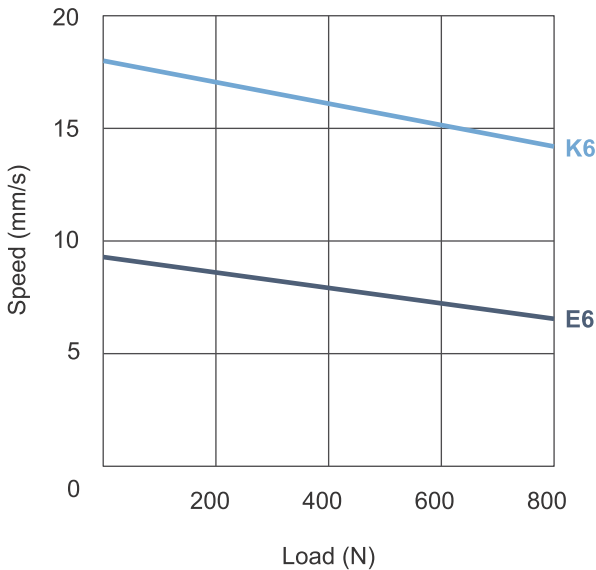
## Compatibility

Product	Model	LD2 spec
Control box	T control, CS1, CS2, CBT2, CB3T, CB4M	- Without positioning sensor feedback - 4-pin Moteck F-type DIN plug

## Performance Data

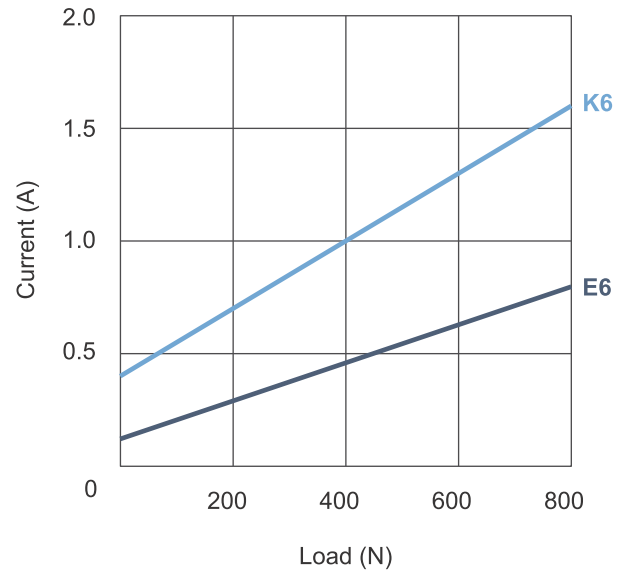
Model No.	Push / Pull Max. (N)	Typical Speed (mm/s)		Typical Current (A)		Noise level (dB)
		No load	Full load	No load	Full load	
LD2-24-30-E6-XXX-CXX-XXXX	800	9.3	6.5	0.13	0.8	≤ 55
LD2-24-30-K6-XXX-CXX-XXXX	800	18.0	14.1	0.4	1.6	≤ 70

Speed vs. Load

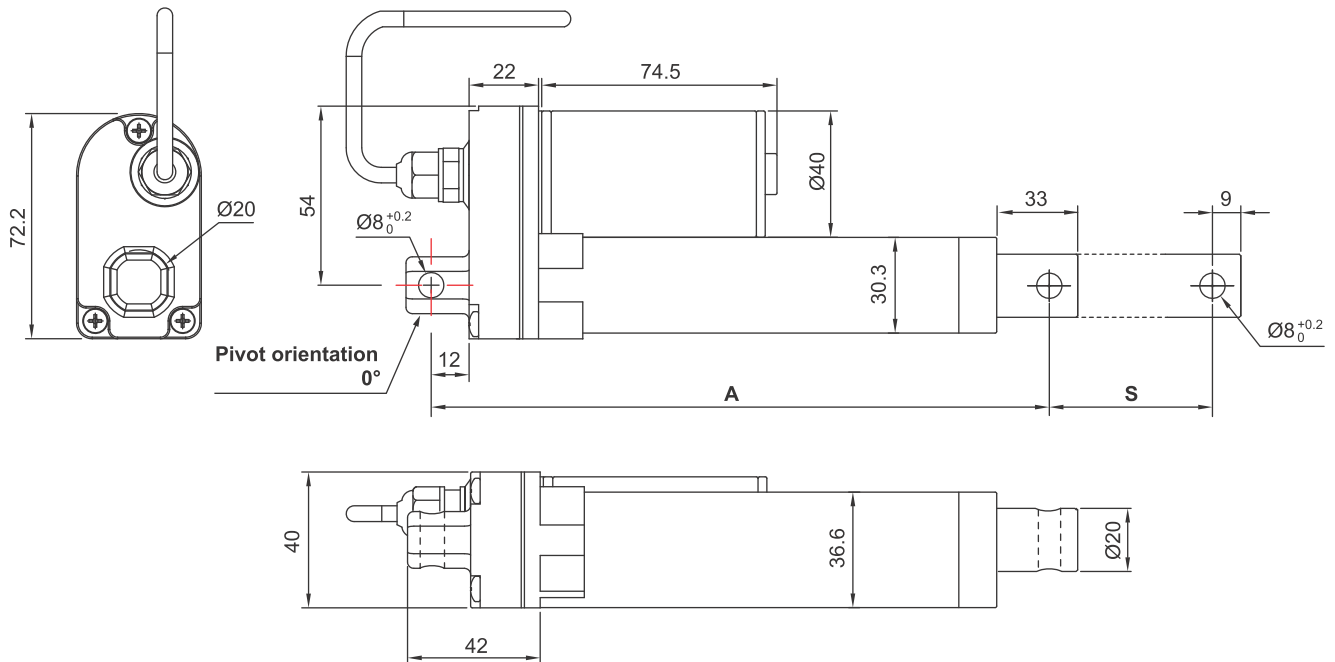


Current vs. Load

24V DC



## Dimensions



**Note:** As an example in 0° orientation for rear connector.

### Installation Dimension

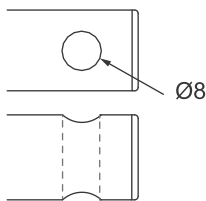
Front connector code	Retracted length (A)	Stroke (S)					
		50	100	150	200	250	300
1	$A \geq S + 109 \text{ mm } (\pm 3 \text{ mm})$	159	209	260	311	362	413
2	$A \geq S + 128 \text{ mm } (\pm 3 \text{ mm})$	178	228	278	328	378	428
3	$A \geq S + 138 \text{ mm } (\pm 3 \text{ mm})$	188	238	288	338	388	438

Available stroke (S) range = 50 ~ 300 mm

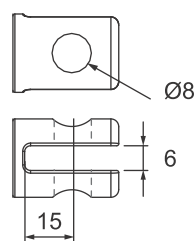
Extended length = S + A

### Front connector

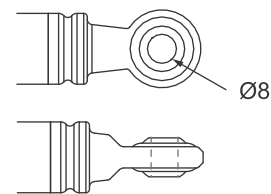
1: Drilled hole



2: Plastic slot

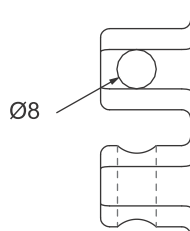


3: Spherical rod eye

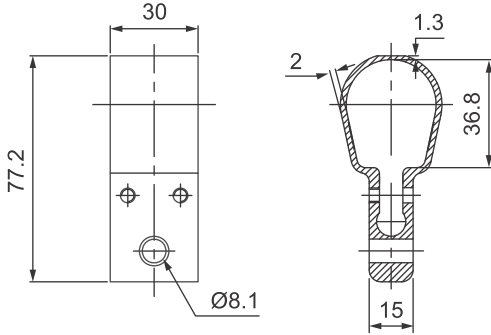


### Rear connector

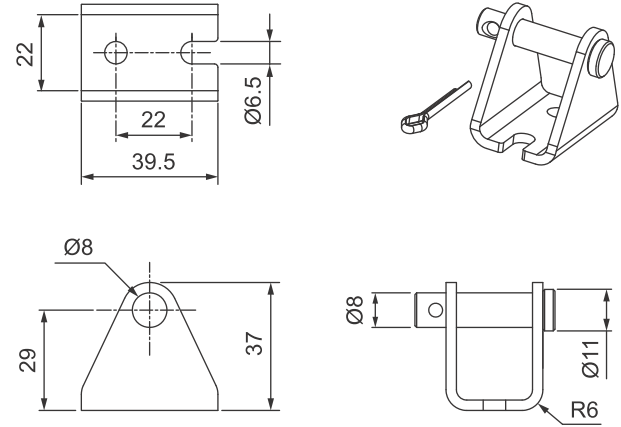
2: Metal



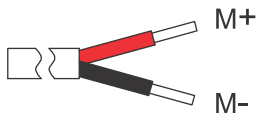
## Clamp



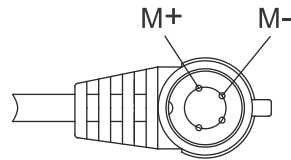
## Mounting bracket (MB22)



## Wiring & Cable plug



Wiring



4-pin Moteck F-type DIN plug



F-type

**Note:** Connect (M+) to "+" & (M-) to "-" of DC power, the actuator will extend.



## Ordering Key

**LD2 - 24 - 30 - E6 - 100 - C 3 2 - 54 M2**

<b>Input voltage</b>	<b>24:</b> 24V DC
<b>Gear ratio</b>	<b>30:</b> 30:1
<b>Motor and Spindle type</b>	<b>E6</b> <b>K6</b> (Refer to Performance Data)
<b>Stroke</b>	<b>050:</b> 50 mm <b>100:</b> 100 mm <b>150:</b> 150 mm <b>200:</b> 200 mm <b>250:</b> 250 mm <b>300:</b> 300 mm
<b>Front connector</b>	<b>1:</b> Drilled hole <b>2:</b> Plastic slot <b>3:</b> Spherical rod eye (Refer to Dimensions)
<b>Rear connector</b>	<b>2:</b> Metal (Refer to Dimensions)
<b>IP Protection level</b>	<b>43:</b> IP43 (standard) <b>54:</b> IP54
<b>Mounting bracket (MB22)</b>	<b>Blank:</b> None <b>M1:</b> Mounting bracket x 1 <b>M2:</b> Mounting bracket x 2

