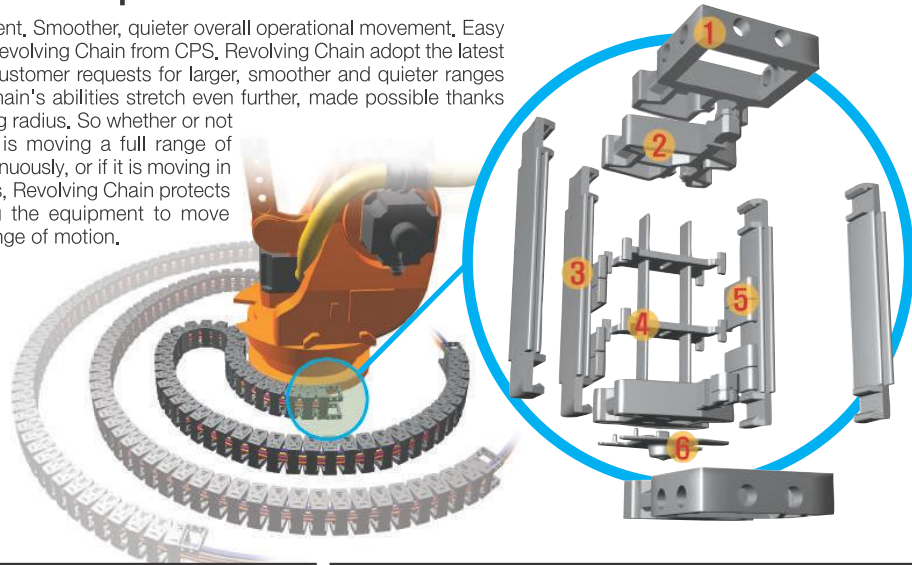


## » Part name and description

Safer equipment management, Smoother, quieter overall operational movement, Easy installation, Patented new Revolving Chain from CPS, Revolving Chain adopt the latest technological efforts with customer requests for larger, smoother and quieter ranges of movement, Revolving Chain's abilities stretch even further, made possible thanks to the patented free-bending radius. So whether or not your operating equipment is moving a full range of more than 360degrees continuously, or if it is moving in different shorter movements, Revolving Chain protects your cables while allowing the equipment to move freely throughout the full range of motion.



### 1 Easy Bracket

The end of the cable chain, used to mount the application to the operating machinery or moving apparatus, CPS has improved the end bracket by making it possible to mount the cable chain from the front, side, bottom or top.

### 2 Side Band

Developed and patented by CPS, As a result of the sideband connection method, virtually no noise is produced during operation, Which is possible by eliminating all points of friction.

### 3 Frame

It is a unit that connects to side band and inner surface is smoothly machined to protect cables from friction.

### 4 Divider & Separator

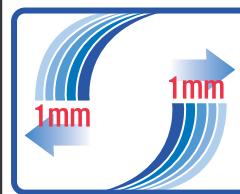
Used to separate the cables inside of the cable chain and protect them from twisting and breaking.

### 5 Stopper

It is a unit to adjust the divider's position by considering number of cables in cable chain.

### 6 Ball Caster

Attached to the bottom of the sidebands, ball casters help to facilitate smooth and quiet movement of the cable chain, CPS ball casters are used every 8 link. (Can be changed according to application environment)

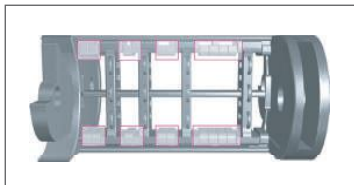


**Adjustable Bending Radius per 1mm!**

Revolving Chain adjusts to the machine or application movement by creating various bending radius automatically. It can be adjusted by a unit of 1mm.

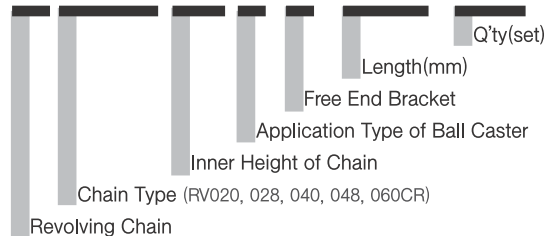
## » Stopper System

Stopper decides the location of divider which is settled in side of cable chain and control the position of divider according to the inserted cable's size and quantity. The items are classified as ST-M1, ST-M2, ST-S1, ST-S2 and please refer following drawings.



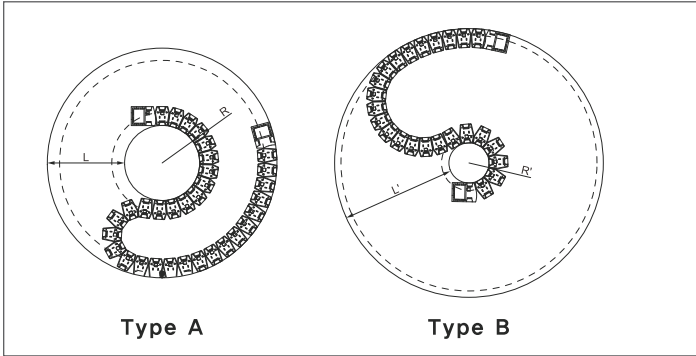
## » Ordering

**RV 048CR, 200, A / F - 1000L : 10ST**



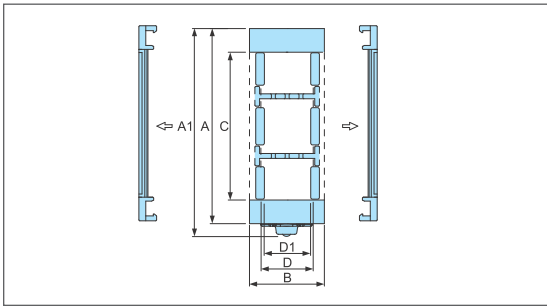
## RV020CR

### » Chain cross section



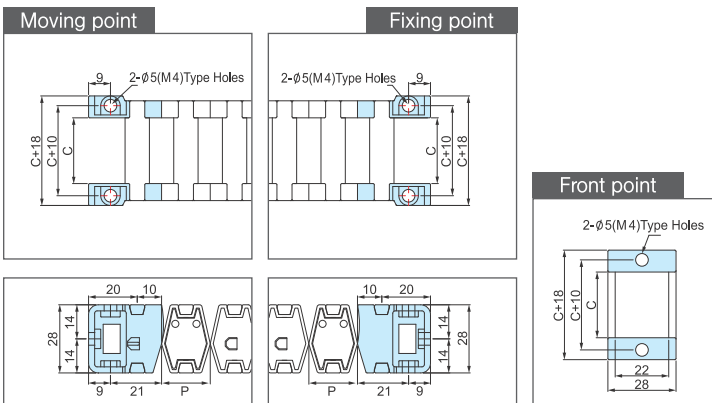
Type A	Minimum distance (L)	130
	Minimum reverse bending (R)	40
Type B	Minimum distance (L')	150
	Minimum reverse bending (R')	30

There are two installation choices, A or B corresponding with the bending radius of the side band, Choose A or B installation when there is insufficient distance between R, R' (Inner Bending Radius) and L, L' (Reverse)



Chain Type	A (A1)	B	C	D (D1)
RV 020CR	30	28	16	22
	41		27	
	51		37	
	61		47	
	81		67	
	91		77	

### » Bracket type



Chain Type	Pitch	C
RV 020CR	20	16
		27
		37
		47
		67
		77

(Dimensions in mm)

