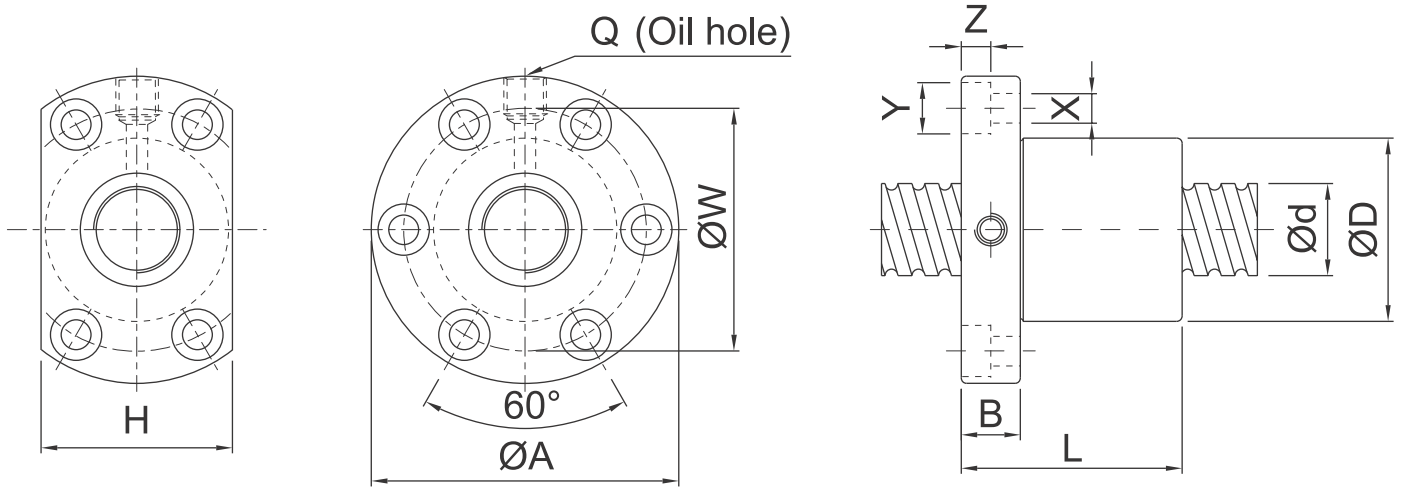


SFM Series Specifications (Design for Milling)



Unit: mm

Model No.	d	l	Da	Dimension											Load Rating		K kgf/ μm
				D	A	B	L	W	H	X	Y	Z	Q	n	Ca (kgf)	Coa (kgf)	
☆ SFM03205-4	32	5	3.175	48	74	12	52	60	60	6.5	11	6.5	M8	1x4	1922	6343	53
☆ SFM0325T-4		5.08	3.175	48	74	12	53	60	60	6.5	11	6.5	M8	1x4	1922	6343	53

Note : For double ball screw nut order, please contact **TBIMOTION** in advance.

※☆ Left helix available

