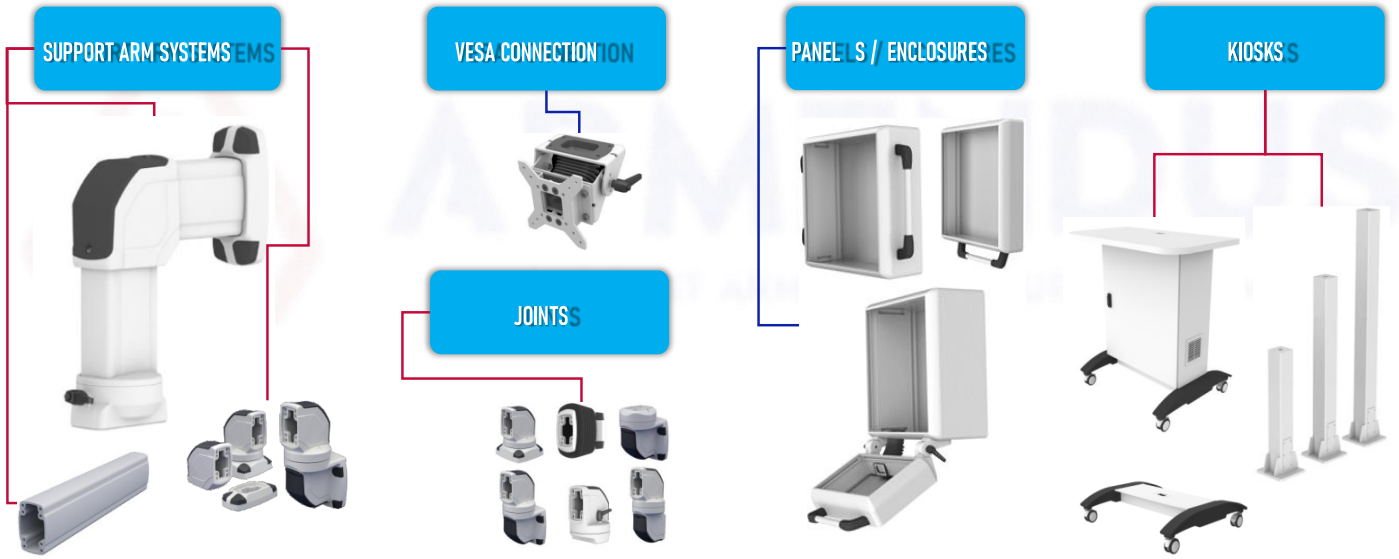
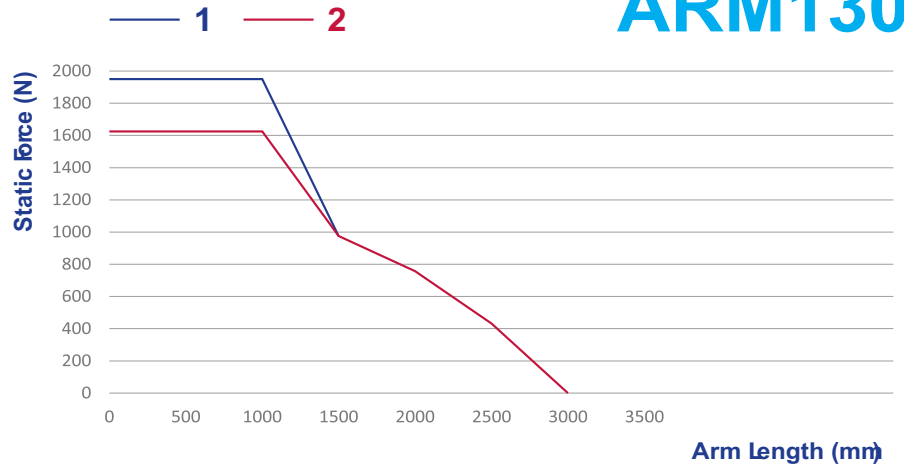
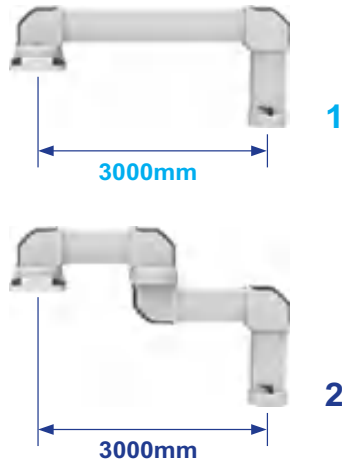


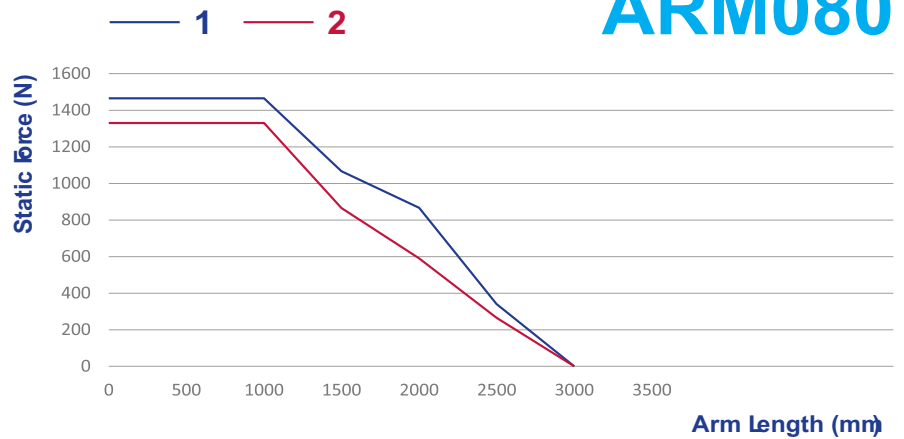
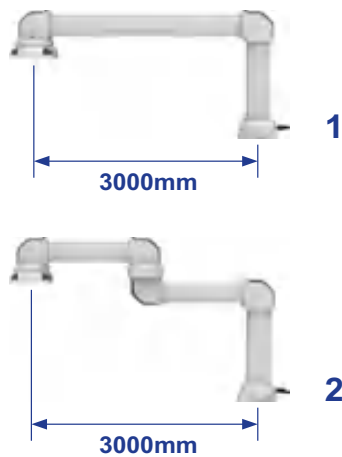
## پنل و اتصالات ماشین آلات صنعتی



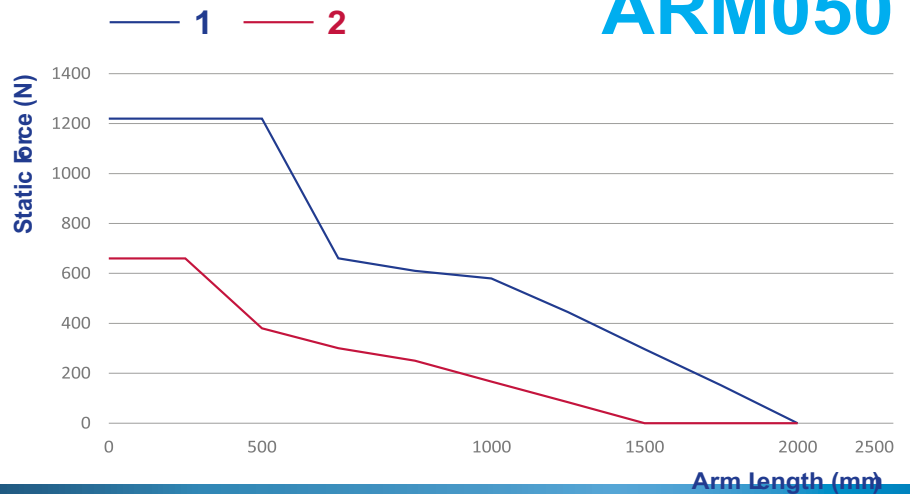
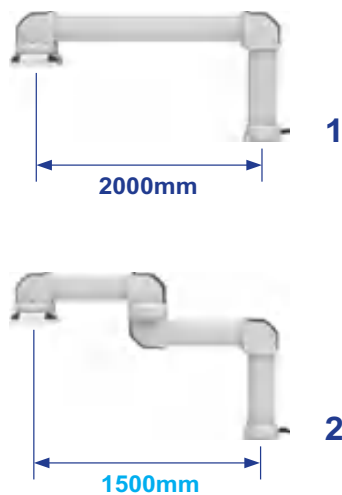
## ARM130



## ARM080

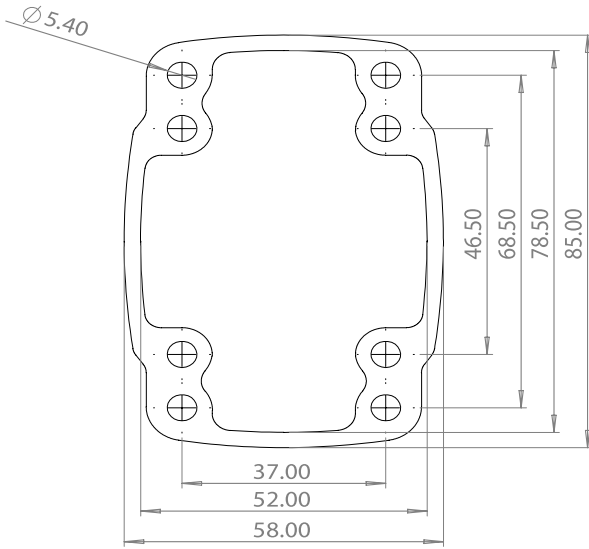


## ARM050



## Support Arm Profile

## ARM080.025



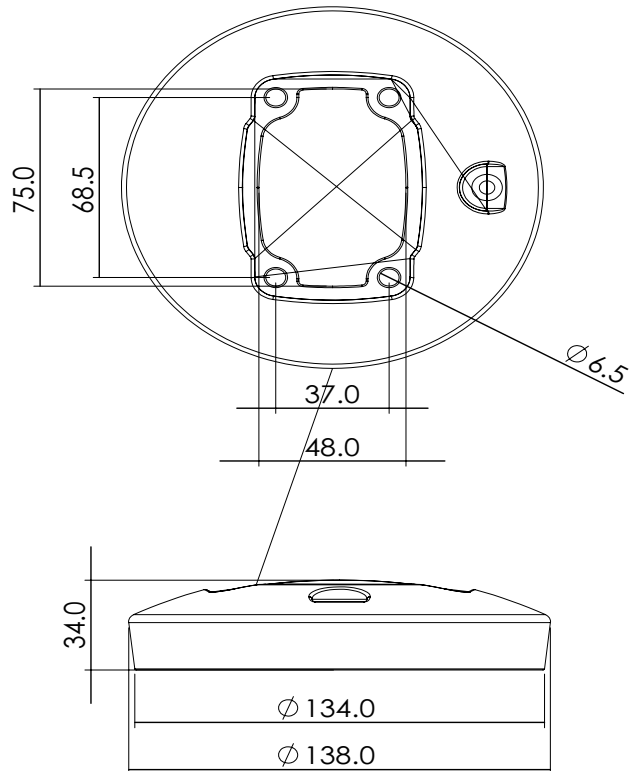
ARM080 Operator Arm Systems determines the working and movement area of the ARM series. It is produced for medium-sized control panels. In addition to its modern structure, it is designed with advanced technology conditions and works with other modules at high efficiency bringing the operator arm to the fore. This operator arm can be produced in any requested lengths. The load capacity of a 1m long operator arm is up to 80kg. RAL 7035 light gray paint is used for this module with also sealing feature.

| Model No   | Description                  | Length (mm) | Weight (mm) | Ral Code | Package Dimension |
|------------|------------------------------|-------------|-------------|----------|-------------------|
| ARM080.025 | 080 Support Profile - 250mm  | 250         | 1000        | 7035     | 55 x 90 x 260     |
| ARM080.050 | 080 Support Profile - 500mm  | 500         | 2000        | 7035     | 55 x 90 x 510     |
| ARM080.075 | 080 Support Profile - 750mm  | 750         | 3000        | 7035     | 55 x 90 x 760     |
| ARM080.100 | 080 Support Profile - 1000mm | 1000        | 4000        | 7035     | 55 x 90 x 1010    |
| ARM080.125 | 080 Support Profile - 1250mm | 1250        | 5000        | 7035     | 55 x 90 x 1260    |
| ARM080.150 | 080 Support Profile - 1500mm | 1500        | 6000        | 7035     | 55 x 90 x 1510    |
| ARM080.175 | 080 Support Profile - 1750mm | 1750        | 7000        | 7035     | 55 x 90 x 1760    |
| ARM080.200 | 080 Support Profile - 2000mm | 2000        | 8000        | 7035     | 55 x 90 x 2010    |



## ARM080.310

## Panel Coupling

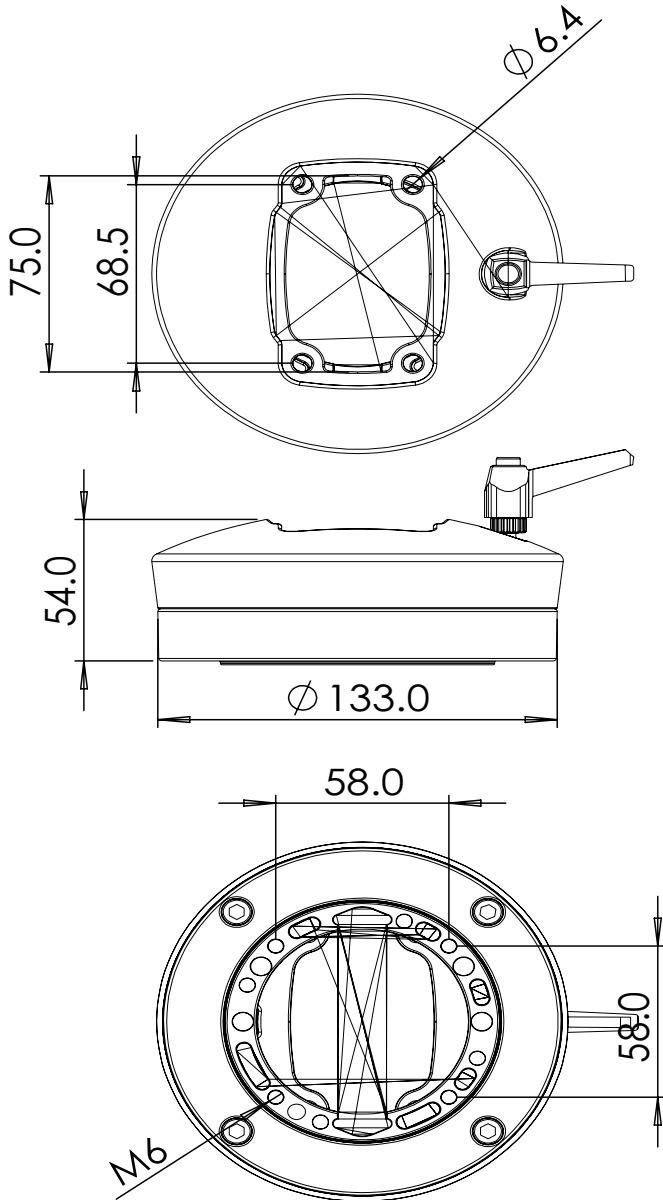


Ø134mm Panel Coupling provides the connection between the operator arm and the operator panel. ARM080.310 is a fixed module. The diameter is 130mm and produced for wide panels with depth.

|                   |               |
|-------------------|---------------|
| Weight            | 440 gr        |
| Color Ral No      | RAL 7035      |
| Package           | 1             |
| Package Dimension | 135x40x135 mm |
| Material          | Aluminum      |
| Movement          | Fixed         |
| Diameter          | Ø134 mm       |

## Rotatable Panel Coupling

## ARM080.320



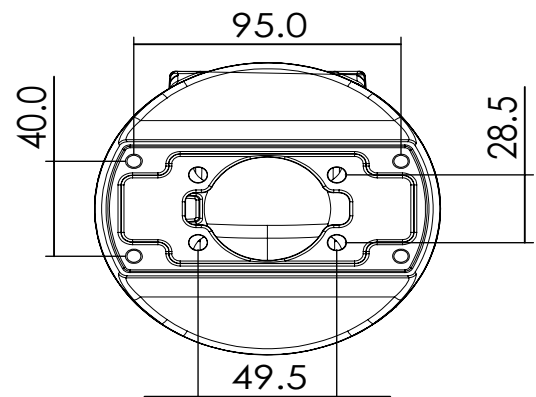
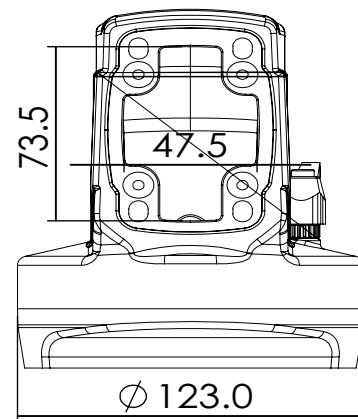
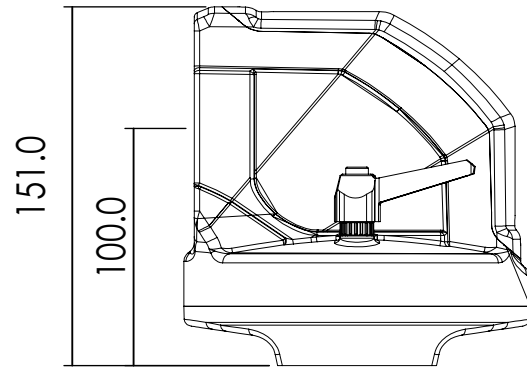
ARM080.320 Rotatable Panel Coupling provides the connection between the operator arm and the operator panel. The diameter is 133mm with a rotation capacity of 315° allowing the operator to rotate the panel to any desired position. It is produced for panel types with high depth ratio.

|                   |                |
|-------------------|----------------|
| Weight            | 1240 gr        |
| Color Ral No      | RAL 7035       |
| Package           | 1              |
| Package Dimension | 150x65x140 mm  |
| Material          | Aluminum       |
| Movement          | Rotatable 315° |
| Diameter          | Ø133 mm        |



## ARM080.400

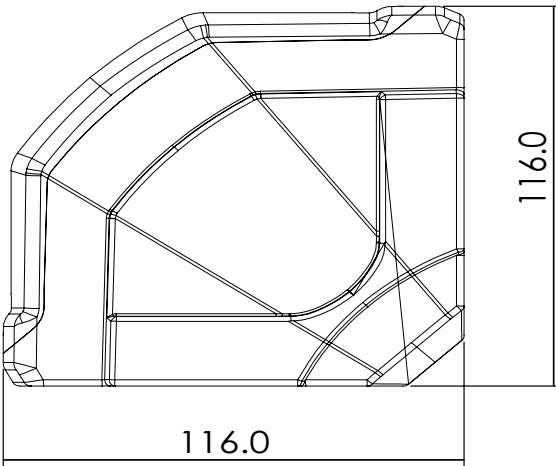
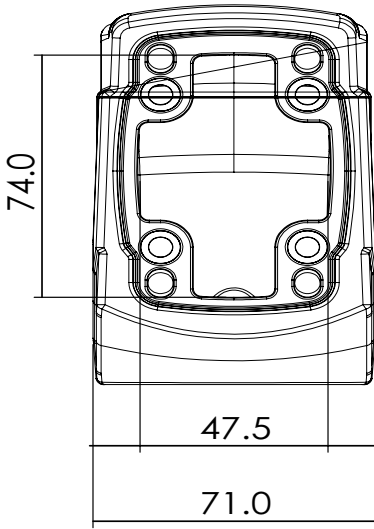
## Rotatable Panel 90° Angle Coupling



ARM080.400 Rotatable Panel 90° Angle Coupling is suitable for an operator panel that requires positioning directly after a 90° angle corner turn. Max. diameter is 123mm and the rotation angle is 315° in total. The ability to rotate around itself provides flexibility for the operator using the panel in bringing it to a desired position. ARM080.400 is an ideal product that will be used for the panel types with more depth.

|                   |                           |
|-------------------|---------------------------|
| Weight            | 1780 gr                   |
| Color Ral No      | RAL 7035 / Cover RAL 7016 |
| Package           | 1                         |
| Package Dimension | 150x160x140 mm            |
| Material          | Aluminum                  |
| Movement          | Rotatable 315°            |
| Diameter          | Ø123 mm                   |

## ARM080.420



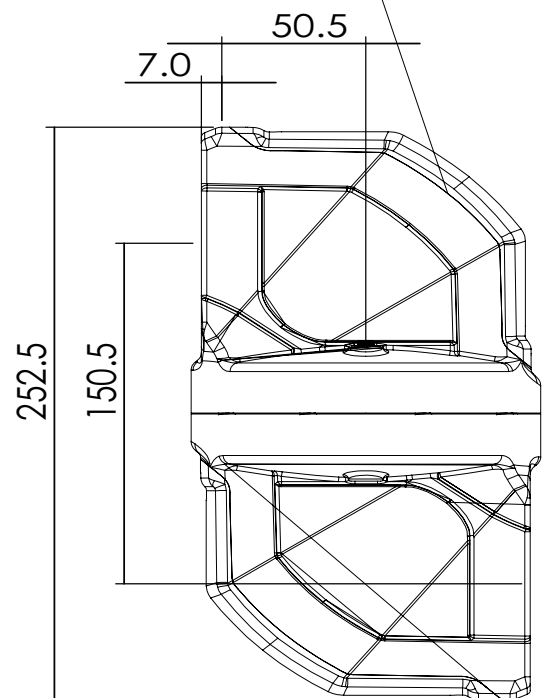
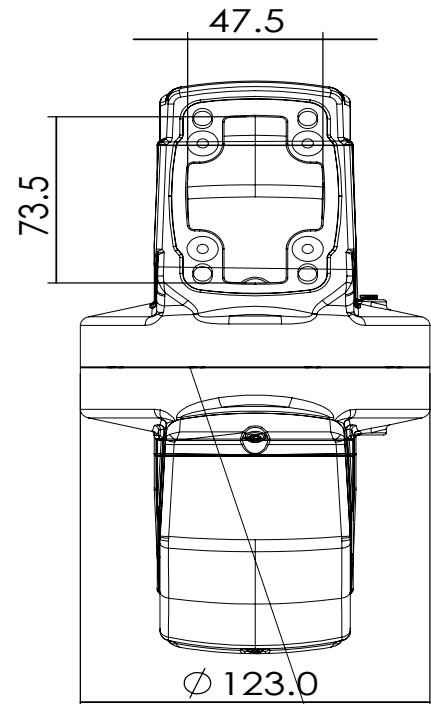
ARM080.420 90° Angle Piece is a fixed corner module that connects the operator arms in horizontal and vertical axis. Based on the structural features and usage conditions, this product can be used for medium loads panels positioned in medium distance and without any compatibility issues.

|                   |                           |
|-------------------|---------------------------|
| Weight            | 640 gr                    |
| Color Ral No      | RAL 7035 / Cover RAL 7016 |
| Package           | 1                         |
| Package Dimension | 125x75x115 mm             |
| Material          | Aluminum                  |
| Movement          | Fixed                     |



## ARM080.500

## Rotatable Intermediate Hinge



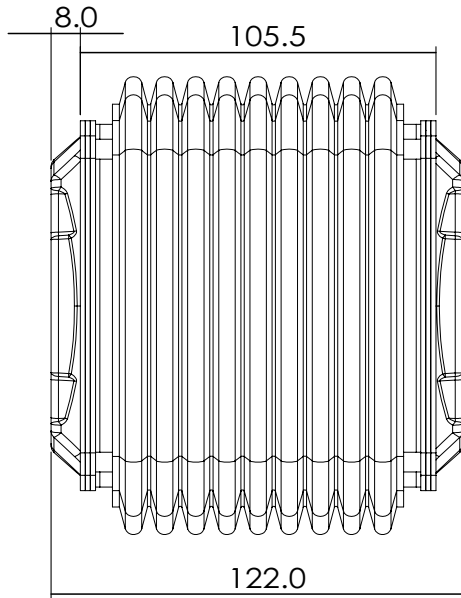
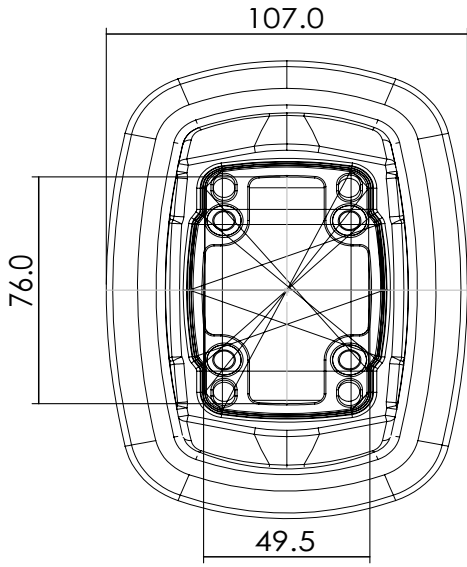
ARM080.500 Rotatable Intermediate Hinge module is used to ensure two operator arms on the horizontal axis are mounted on the assembly point and move at a semi-independent angle (315°) from each other. This product is an indispensable product for medium loads and medium length configurations in terms of structure and usage.

|                          |                           |
|--------------------------|---------------------------|
| <b>Weight</b>            | 2060 gr                   |
| <b>Color Ral No</b>      | RAL 7035 / Cover RAL 7016 |
| <b>Package</b>           | 1                         |
| <b>Package Dimension</b> | 250x130x125 mm            |
| <b>Material</b>          | Aluminum                  |
| <b>Movement</b>          | Rotatable 315°            |



## Steel Interconnection Module - With Bellows

### ARM080.505



ARM080.505 Steel Interconnection Module - With Bellows is used to mount two operator arms to the connection points horizontally enabling them to move at 90° to the right or 90° to the left. The cast steel body of this product safely combines heavy and long arm configurations.

|                   |                            |
|-------------------|----------------------------|
| Weight            | 2200 gr                    |
| Color Ral No      | RAL 7035 / Bellow RAL 7016 |
| Package           | 1                          |
| Package Dimension | 180x140x120 mm             |
| Material          | Steel Casting              |
| Movement          | Right 90° - Left 90°       |

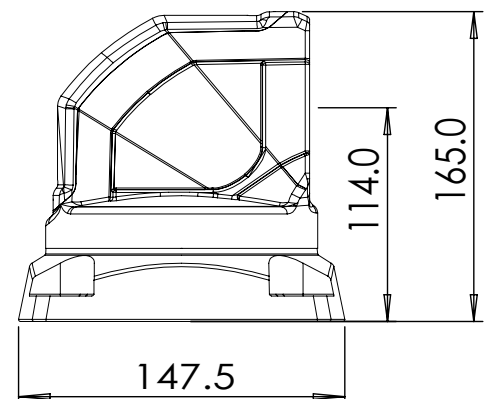
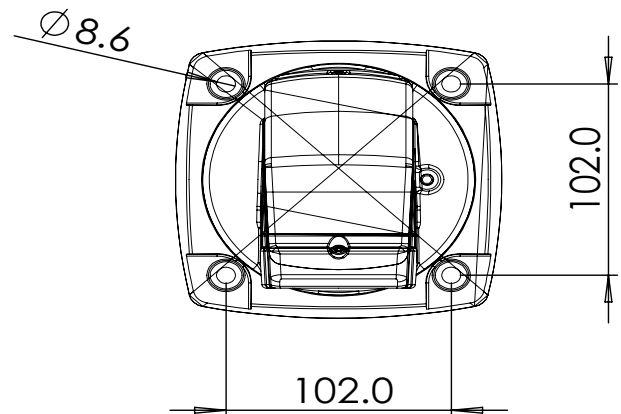
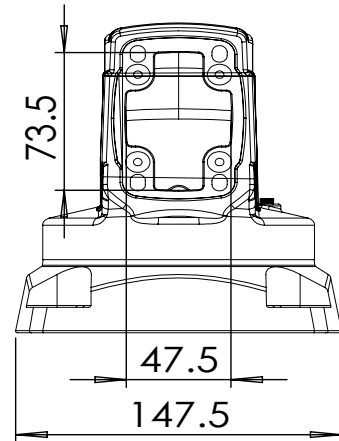


تلفن : (021) 33913364 - 33951660

فکس : (021) 33985603

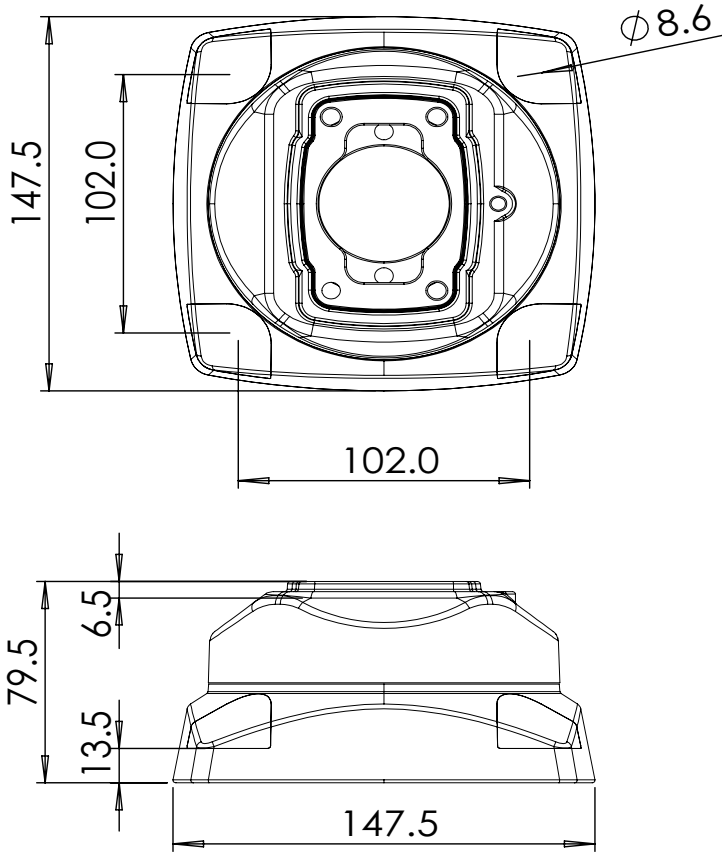
## ARM080.600

## Rotatable Top Mounted 90° Angle Joint



ARM080.600 Rotatable Top Mounted 90° Angle Joint is produced to provide a connection for a high position point. It allows a smooth rotation for the panel horizontally and provides a 315° movement mobility to the right or left. This product is designated for configurations with medium loads.

|                   |                           |
|-------------------|---------------------------|
| Weight            | 2590 gr                   |
| Color Ral No      | RAL 7035 / Cover RAL 7016 |
| Package           | 1                         |
| Package Dimension | 160x170x150 mm            |
| Material          | Aluminum                  |
| Movement          | Rotatable 315°            |



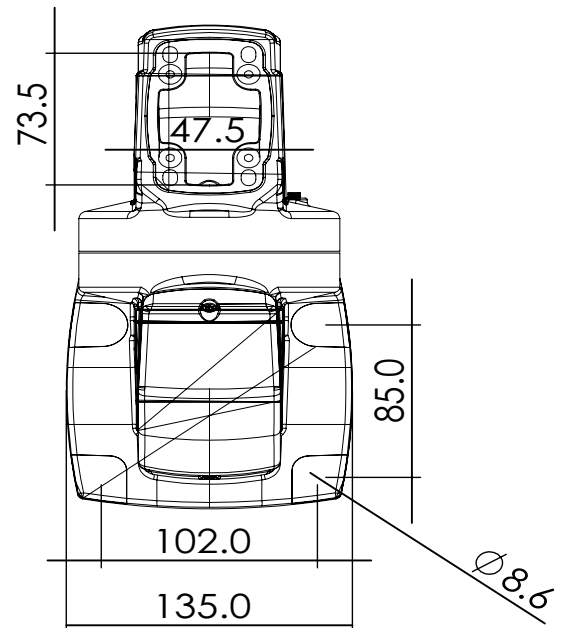
ARM080.610 Rotatable Top Mounted Vertical Outlet provides a 315° rotation movement to the right and left. It is designated for medium loads configurations and can also serve as a "Fixed Kiosk"

|                   |                           |
|-------------------|---------------------------|
| Weight            | 1950 gr                   |
| Color Ral No      | RAL 7035 / Cover RAL 7016 |
| Package           | 1                         |
| Package Dimension | 155x90x140 mm             |
| Material          | Aluminum                  |
| Movement          | Rotatable 315°            |

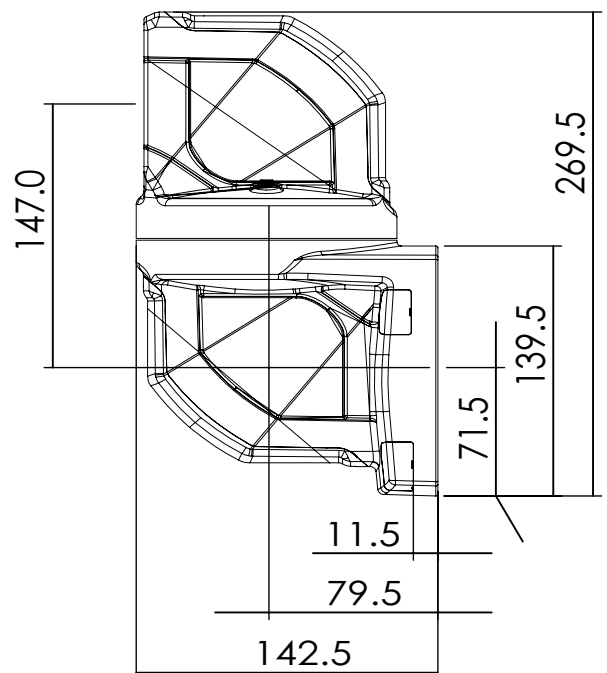


## ARM080.700

## Rotatable Wall-Mounted Hinge Horizontal Outlet



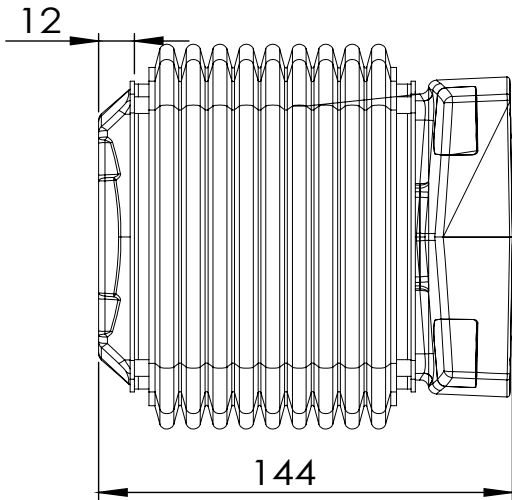
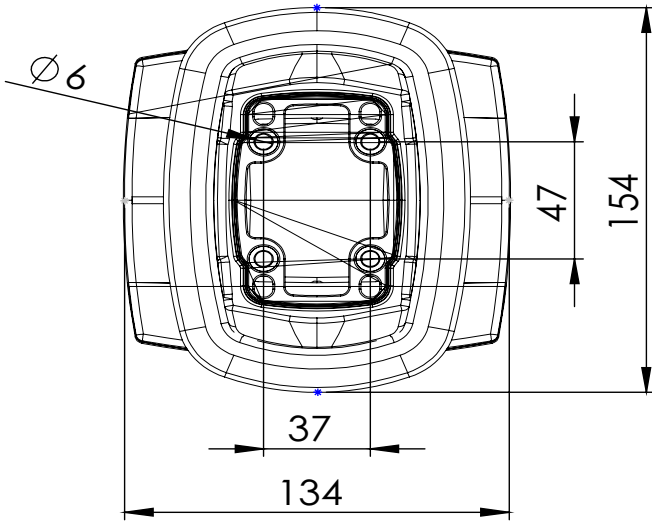
ARM080.700 Rotatable Wall-Mounted Hinge Horizontal Outlet is designed to create a connection point to any preferred point where it is unavailable on the ground. It allows the operator arm to move at a 315° left and right horizontally for medium loads configurations.



|                   |                           |
|-------------------|---------------------------|
| Weight            | 2550 gr                   |
| Color Ral No      | RAL 7035 / Cover RAL 7016 |
| Package           | 1                         |
| Package Dimension | 275x145x150 mm            |
| Material          | Aluminum                  |
| Movement          | Rotatable 315°            |

## Steel Wall Mounted Module - With Bellows

### ARM080.705



The Steel Wall-Mounted Module - With Bellows helps fixing the operator arms horizontally which are positioned on vertical surfaces. This product with its cast steel body gives reliability for heavy loads and long-distance arm configurations. It allows a mobility of 90° to the right and left.

|                   |                            |
|-------------------|----------------------------|
| Weight            | 3300 gr                    |
| Color Ral No      | RAL 7035 / Bellow RAL 7016 |
| Package           | 1                          |
| Package Dimension | 185x155x135 mm             |
| Material          | Steel Casting              |
| Movement          | Right 90° - Left 90°       |

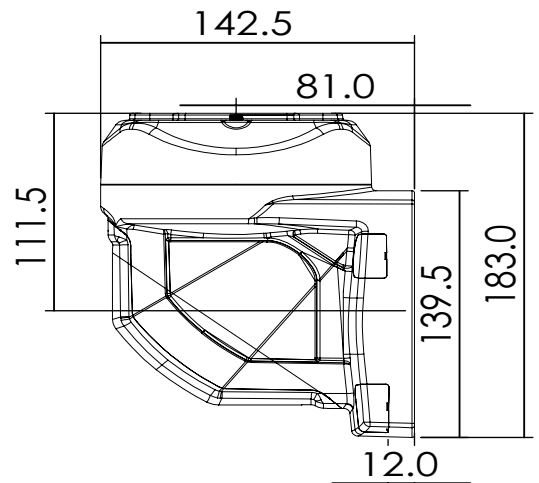
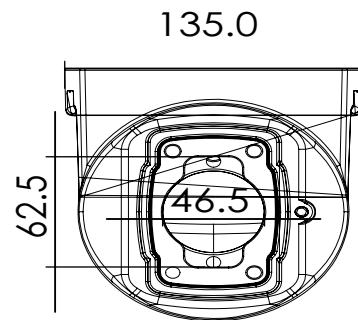
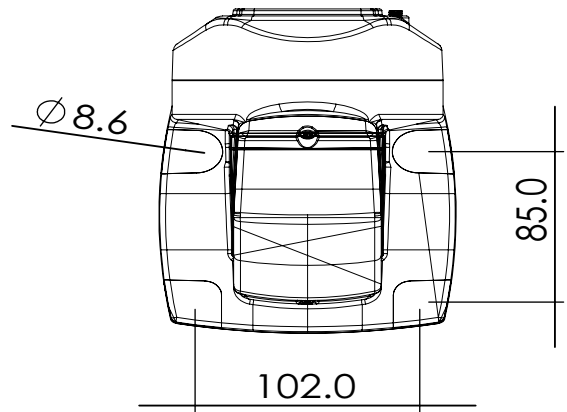


تلفن : (021) 33913364 - 33951660

فکس : (021) 33985603

## ARM080.710

## Rotatable Wall-Mounted Hinge Vertical Outlet

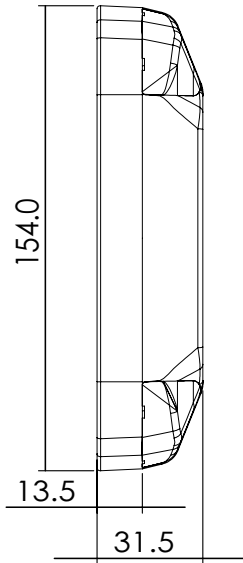
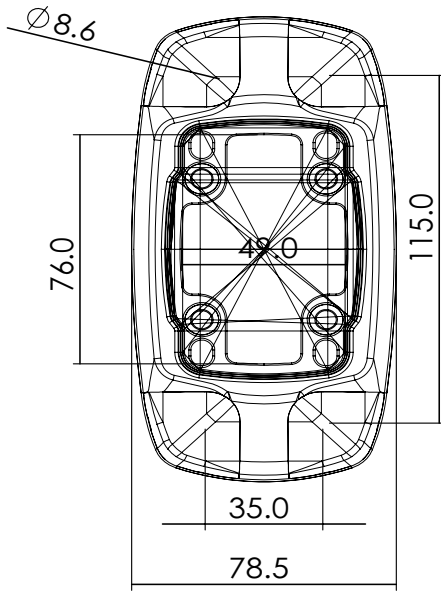


ARM80.710 Rotatable Wall-Mounted Hinge Vertical Outlet is designed to create a connection point to any preferred point vertically. It allows the operator arm to move at a 315° left and right for medium loads configurations.

|                   |                           |
|-------------------|---------------------------|
| Weight            | 2280 gr                   |
| Color Ral No      | RAL 7035 / Cover RAL 7016 |
| Package           | 1                         |
| Package Dimension | 200x145x145 mm            |
| Material          | Aluminum                  |
| Movement          | Rotatable 315°            |

## Wall-Socket Mounting Bracket

## ARM080.800



ARM080.800 Wall-Socket Mounting Bracket is a fixed connection that can be easily connected to vertical and horizontal surfaces. It is produced for medium loads configurations.

|                   |                           |
|-------------------|---------------------------|
| Weight            | 320 gr                    |
| Color Ral No      | RAL 7035 / Cover RAL 7016 |
| Package           | 1                         |
| Package Dimension | 165x75x35 mm              |
| Material          | Aluminum                  |
| Movement          | Fixed                     |

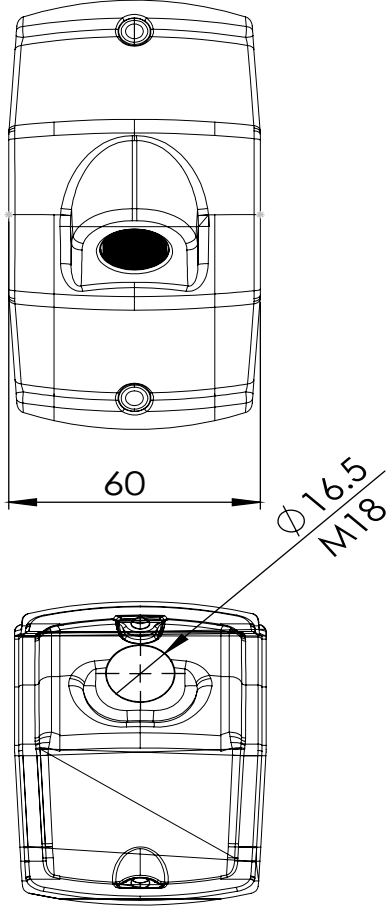


تلفن : (021) 33913364 - 33951660

فکس : (021) 33985603

## Warning Lamp Cover (M18)

## ARM080.811



ARM080.811 Warning Lamp Cover (M18) is placed on the corner module ensuring an area for the warning lamp to be placed. The warning lamp connection diameter is M18×1.5

\* Warning lamp hole can be drilled with the desired size.

|                   |              |
|-------------------|--------------|
| Weight            | 130 gr       |
| Color Ral No      | RAL 7016     |
| Package           | 1            |
| Package Dimension | 145x50x70 mm |
| Material          | Aluminum     |
| Movement          | Fixed        |



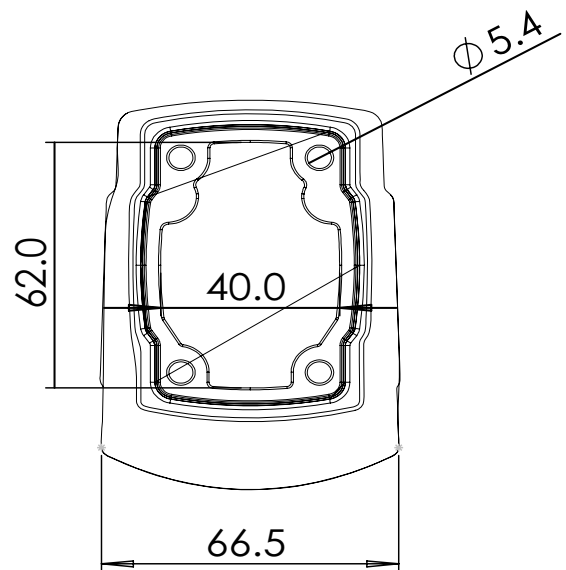
تلفن : (021) 33913364 - 33951660

فکس : (021) 33985603

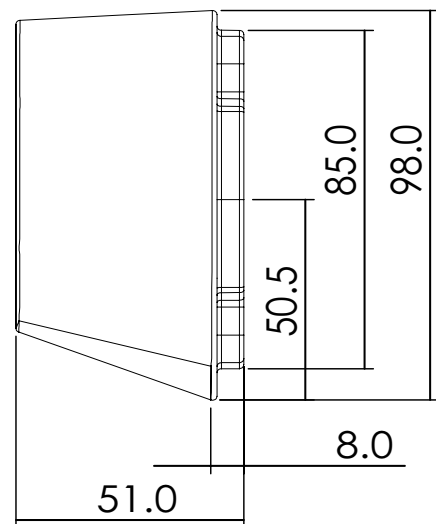


## ARM080.820

## 080 / 050 Support t Arm Adaptor



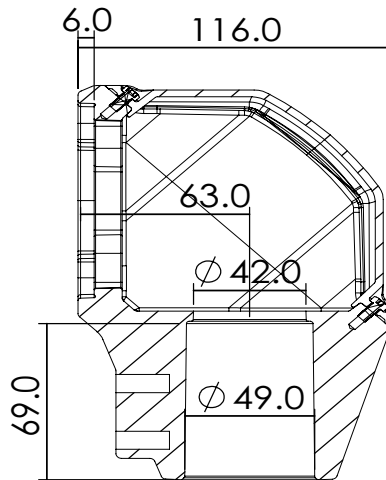
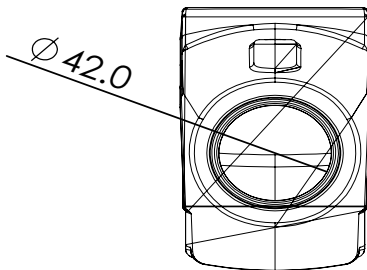
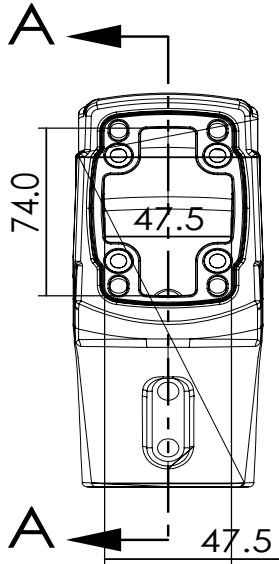
080/050 Support Arm Adaptor is used to secure the connection between ARM080 and ARM050 Its is designed for configurations of heavy loads. The configurations with this product prevent vibrating and sagging as a result of heavy loads. This support Arm Adaptor can be used horizontally or vertically.



|                   |                |
|-------------------|----------------|
| Weight            | 500 gr         |
| Color Ral No      | RAL 7035       |
| Package           | 1              |
| Package Dimension | 150x160x140 mm |
| Material          | Aluminum       |
| Movement          | Fixed          |

## 080/Ø48 Adaptor

## ARM080.825



Armendus ARM080.825 is an 080/Ø48 Adaptor produced in accordance with operator systems and industrial machines belonging to different sectors, it is designed to fit all profile models. With its waterproof module, you can connect tube profiles of different weights and lengths and mount them on durable surfaces.

|                   |                           |
|-------------------|---------------------------|
| Weight            | 1000 gr                   |
| Color Ral No      | RAL 7035 / Cover RAL 7016 |
| Package           | 1                         |
| Package Dimension | 190x80x120 mm             |
| Material          | Aluminum                  |
| Movement          | Fixed                     |

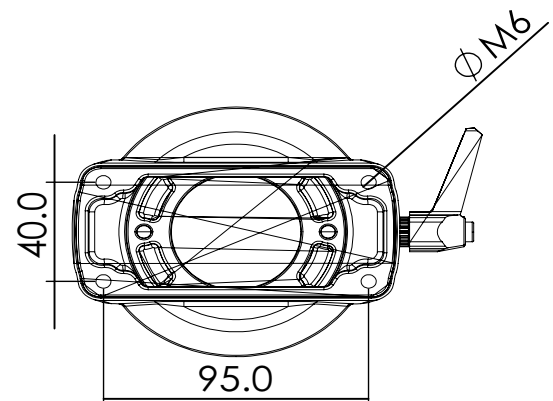
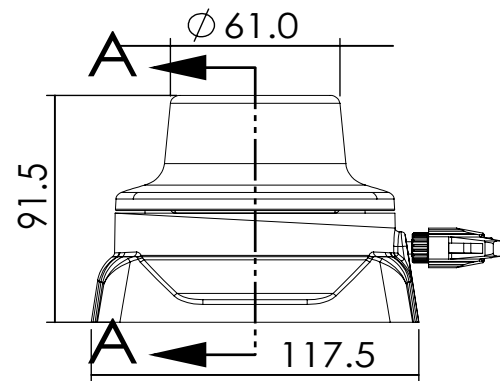


تلفن : (021) 33913364 - 33951660

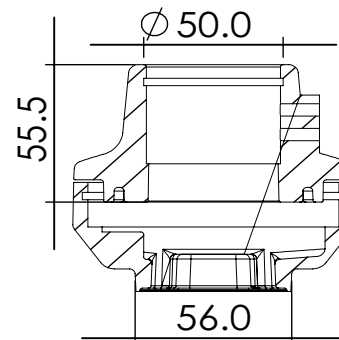
فکس : (021) 33985603

## ARM080.826

## Ø48 Adaptor



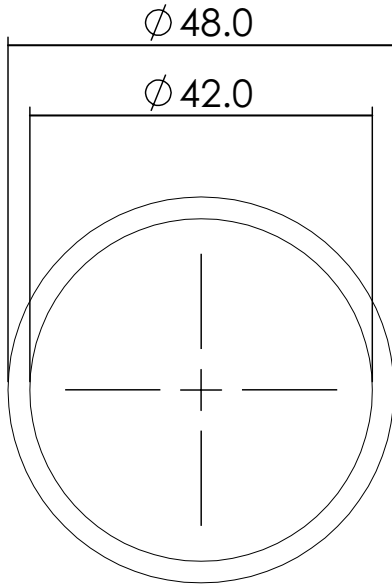
ARM080.826 Ø48 adaptor has an ergonomic structure used to connect the operating panels to the mechanical system. You can adjust the rotation angle at the desired position with the switch lever located on the side surface of the module.



|                   |                |
|-------------------|----------------|
| Weight            | 930 gr         |
| Color Ral No      | RAL 7035       |
| Package           | 1              |
| Package Dimension | 140x120x110 mm |
| Material          | Aluminum       |
| Movement          | Rotatable 350° |

## Ø48 Pipe Profile

## ARM080.827



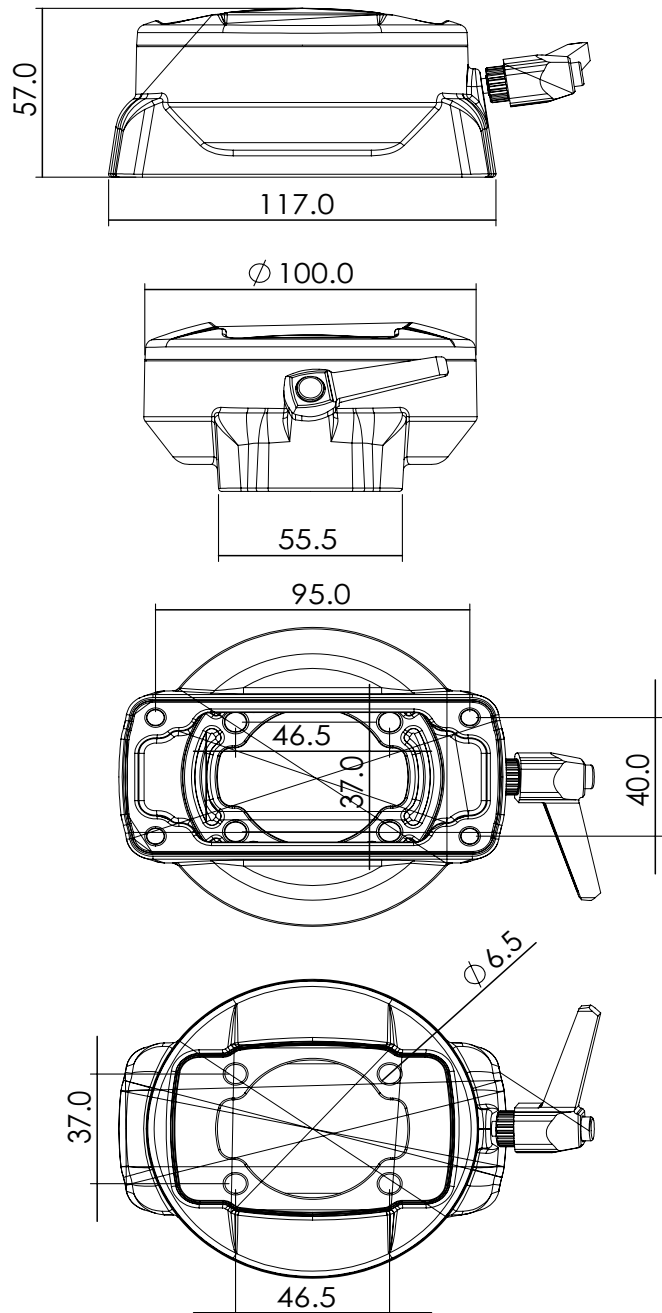
ARM080.827 Ø48 pipe profile is compatible with all kinds of mechanical tools. Armendus expert team produced and developed this profile pipe with high standards.

|                   |              |
|-------------------|--------------|
| Weight            | 800 gr       |
| Color Ral No      | RAL 7035     |
| Package           | 1            |
| Package Dimension | 250x50x50 mm |
| Material          | Aluminum     |



## ARM080.830

## Rotatable Panel Adaptor Vertical

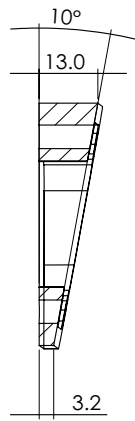
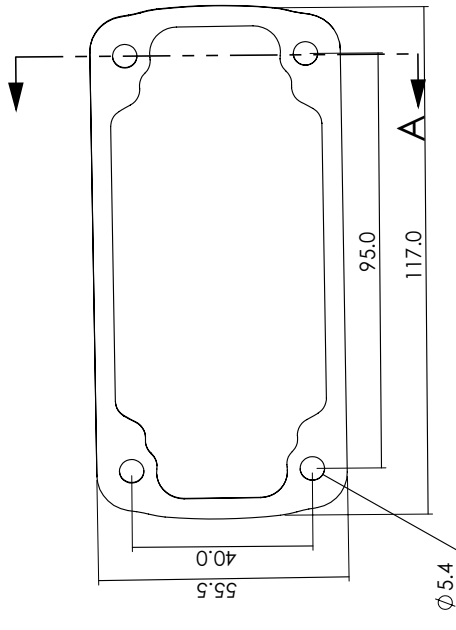


ARM080.830 Rotatable Panel Adaptor Vertical is the connector between the operator panel and the operator arm. The dimension of the adaptor surface is 118x65mm which allows a 315° smooth rotation to the left and right. This product is designed for medium loads and a suitable depth ratio.

|                   |                |
|-------------------|----------------|
| Weight            | 930 gr         |
| Color Ral No      | RAL 7035       |
| Package           | 1              |
| Package Dimension | 140x120x110 mm |
| Material          | Aluminum       |
| Movement          | Rotatable 350° |

## 10° Angle Piece

## ARM080.831



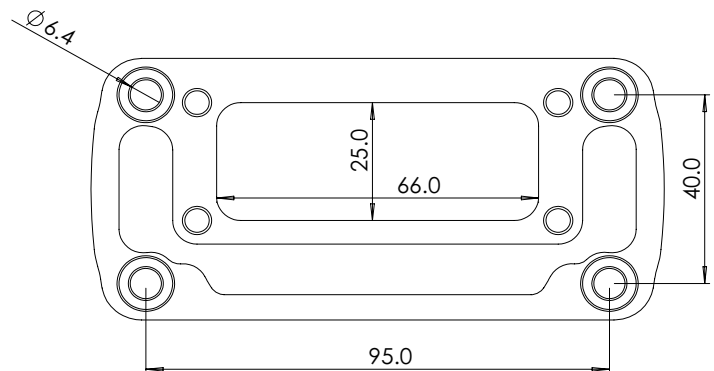
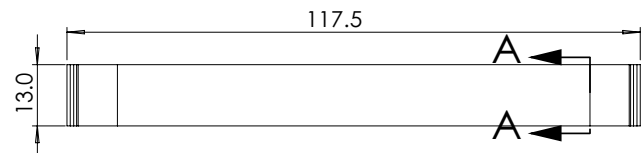
An angle of 10 degrees has been applied to ARM080.831, which is produced in full compliance with the connection points of the parts to be mounted on industrial panels. Bolt connection holes and cable passage feature have been developed to ensure the connection between the panel and the modu

|                   |              |
|-------------------|--------------|
| Weight            | 190 gr       |
| Color Ral No      | RAL 7035     |
| Package           | 1            |
| Package Dimension | 170x35x80 mm |
| Material          | Aluminum     |
| Movement          | Fixed        |

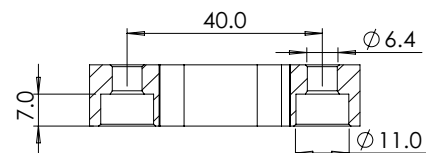


## ARM080.832

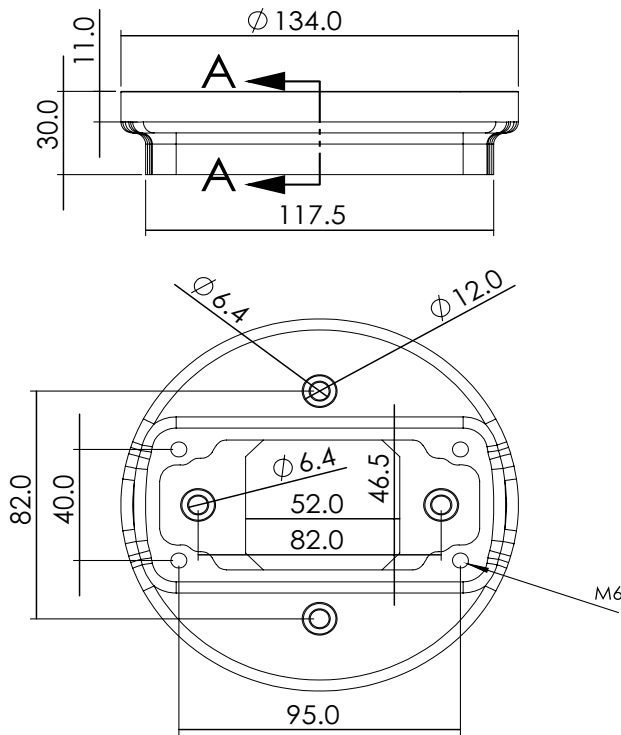
## 080 Panel Adaptor



ARM080.832 adaptor serves as a connection between the modules compatible with the carrier and the supporting systems of the machines, is the essential element to optimize the functioning of the panels and mechanical equipment. It has a convenient and practical structure by the connection and the holes on the adaptor.



|                   |              |
|-------------------|--------------|
| Weight            | 235 gr       |
| Color Ral No      | RAL 7035     |
| Package           | 1            |
| Package Dimension | 170x40x80 mm |
| Material          | Aluminum     |
| Movement          | Fixed        |



ARM080.833 Ø134mm Panel Adaptor is used for different dimensions between modules providing a practical and important element between connection modules and panel connection.

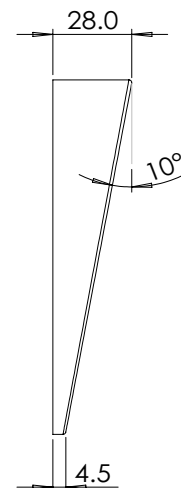
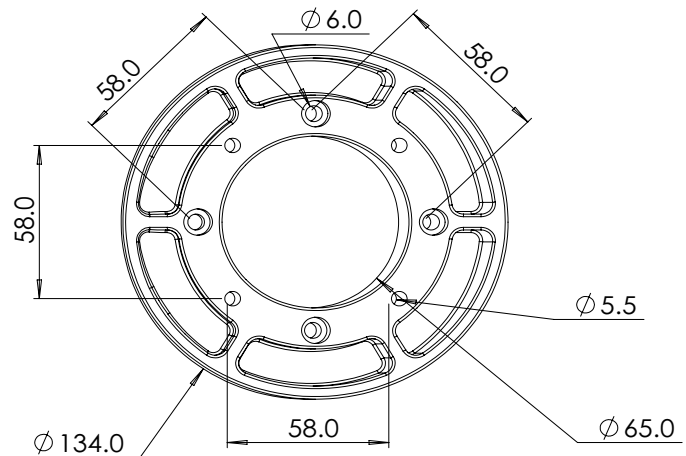
|                   |               |
|-------------------|---------------|
| Weight            | 700 gr        |
| Color Ral No      | RAL 7035      |
| Package           | 1             |
| Package Dimension | 135x45x130 mm |
| Material          | Aluminum      |
| Movement          | Fixed         |
| Diameter          | Ø134 mm       |





## ARM080.834

## Ø134 mm 10° Panel Adaptor

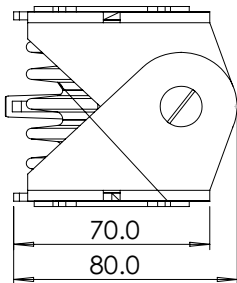
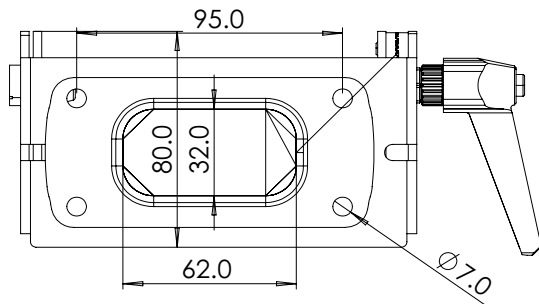
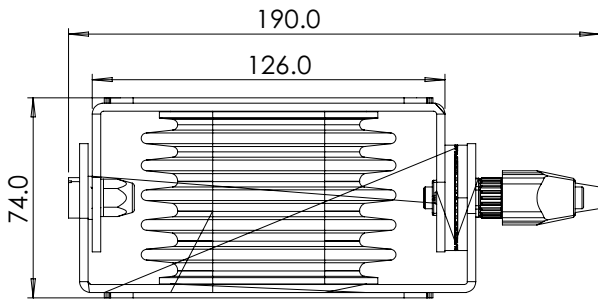


ARM080.833 Ø134mm Panel Adaptor is used for different dimensions between modules providing a practical and important element between connection modules and panel connection. This module has connection points that will facilitate its assembly to the panel to be used.

|                   |               |
|-------------------|---------------|
| Weight            | 380 gr        |
| Color Ral No      | RAL 7035      |
| Package           | 1             |
| Package Dimension | 135x45x130 mm |
| Material          | Aluminum      |
| Movement          | Fixed         |
| Diameter          | Ø134 mm       |

## Panel Tilting Adaptor

## ARM080.835



The flexible structure of ARM080.835 is among the technical support elements produced for industrial panels to provide maximum performance in a compact form. This module is provided with a bellows that can move up and down. There are bolt connection holes and cable passage holes opened on the module for a perfect assembly.

|                   |                               |
|-------------------|-------------------------------|
| Weight            | 750 gr                        |
| Color Ral No      | RAL 7035<br>(Bellow RAL 7016) |
| Package           | 1                             |
| Package Dimension | 195x90x95 mm                  |
| Material          | Sheet Steel                   |
| Movement          | +30° / - 40°                  |

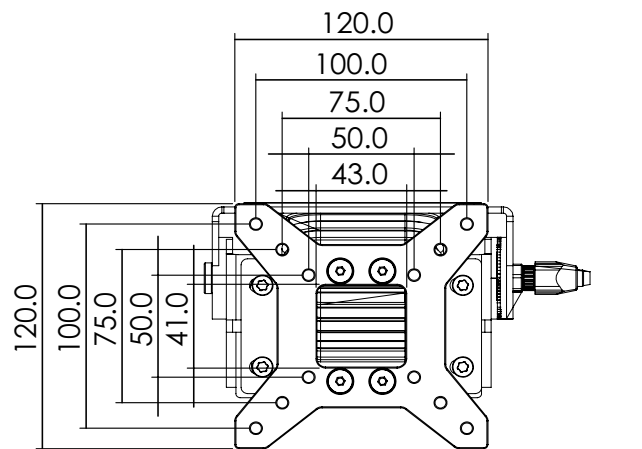


تلفن : (021) 33913364 - 33951660

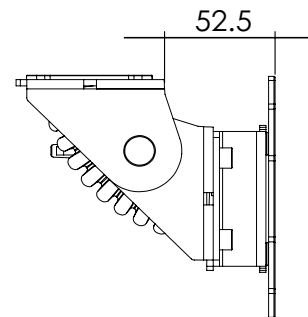
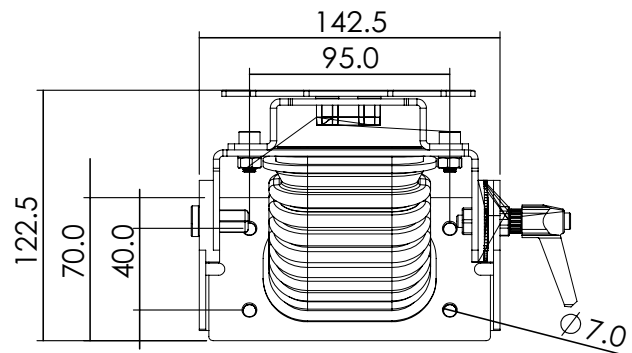
فکس : (021) 33985603

## ARM080.836

## Vesa Panel Tilting Adaptor Moving



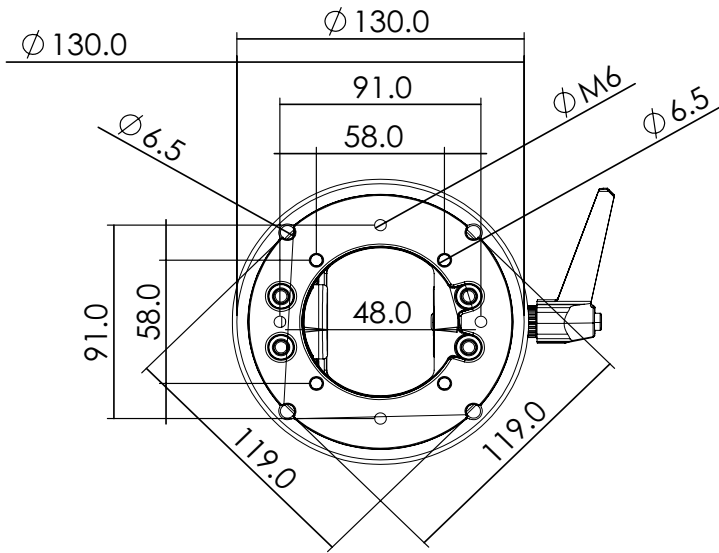
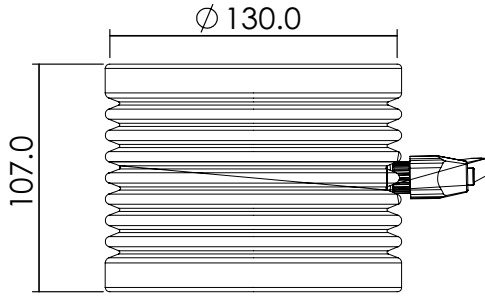
ARM080.836 Vesa connection module is one of the improved and newest version of support and connection equipment. It is produced with high standards by professional Armendus teams. The maximum mobility of the bellows, which is installed in this module connects all equipment at every angle.



|                   |                               |
|-------------------|-------------------------------|
| Weight            | 1200 gr                       |
| Color Ral No      | RAL 7035<br>(Bellow RAL 7016) |
| Package           | 1                             |
| Package Dimension | 180x110x150 mm                |
| Material          | Sheet Steel                   |
| Movement          | +30° / - 40°                  |

## Ø130 mm Panel Tilting Adaptor - With Bellows

### ARM080.840



Ø130 mm Panel Tilting Adaptor - With Bellows has been developed using high quality material, it is made of movable parts and is intended to be compatible with panels of different types and models. The module stands out with its up and down mobility and sealing feature.

|                   |                               |
|-------------------|-------------------------------|
| Weight            | 1150 gr                       |
| Color Ral No      | RAL 7035<br>(Bellow RAL 7016) |
| Package           | 1                             |
| Package Dimension | 140x155x110 mm                |
| Material          | Aluminum                      |
| Movement          | +30° / - 40°                  |



تلفن : (021) 33913364 - 33951660

فکس : (021) 33985603