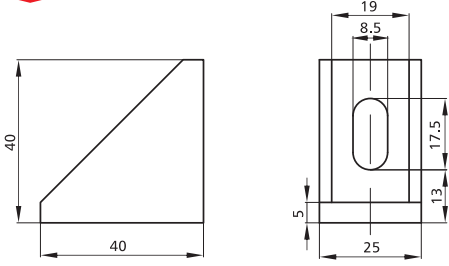
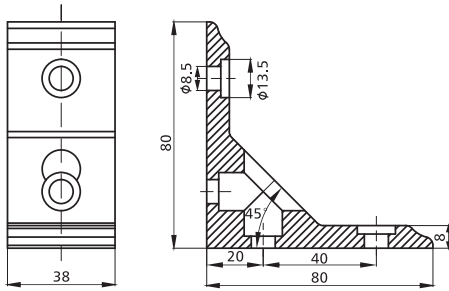
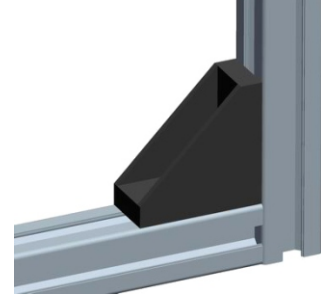


Alu Profile Accessories/Connectors/Angle Connectors & Caps

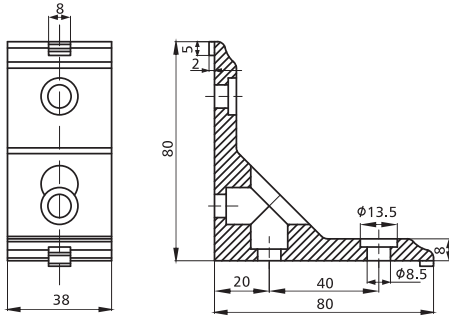
NEW



2540



3880



3880-T



Item No.	Material	Finish	PCS/CTN	KGS/CTN	CTN SIZE(mm)
2540	Die-cast Alu	Dull Polished	300	9	350*225*180
3880	Die-cast Alu	Dull Polished	100	15.65	350*225*180
3880-T	Die-cast Alu	Dull Polished	100	15.65	350*225*180

