

| Model | Matching Drivers |
|-----------------|--|
| 20CM003 | EM3E-522 / EM415S |
| 20CM005 | EM3E-522 / EM415S |
| 28CM006 | EM3E-522 / EM415S |
| 28CM010 | EM3E-522 / EM415S |
| 28CM013 | EM3E-522 / EM415S |
| 35CM015 | EM3E-522 / EM415S |
| 35CM04 | EM3E-522 / EM415S |
| 42CM02 | EM3E-522 / EM415S / EM542S / Em402 / Dm422 |
| 42CM02-1A | EM3E-522 / EM415S / EM542S / Em402 / Dm422 |
| 42CM04 | EM3E-522 / EM415S / EM542S / Em402 / Dm422 |
| 42CM04-1A | EM3E-522 / EM415S / EM542S / Em402 / Dm422 |
| 42CM06 | EM3E-522 / EM3E-542 / EM542S / Mx3660 / Mx4660 / Em402 / Em503 / Dm422 / Dm556 |
| 42CM06-1A | EM3E-522 / EM3E-542 / EM415S / EM542S / Em402 / Dm422 |
| 42CM08 | EM3E-522 / EM3E-542 / EM542S / Mx3660 / Mx4660 / Em402 / Em503 / Dm422 / Dm556 |
| 42CM08-1A | EM3E-522 / EM3E-542 / EM415S / EM542S / Em402 / Dm422 |
| 57CM06 | EM3E-542/EM3E-556/EM542S/EM556S/Mx3660/Mx4660/Em503/Dm556/Dm856/DM805-AI |
| 57CM13 | EM3E-542/EM3E-556/EM542S/EM556S/MX3660/MX4660/DM556/DM856/DM805-AI |
| 57CM13-3A | EM3E-542/EM3E-556/EM542S/EM556S/MX3660/MX4660/EM503/EM705/DM556/DM856/DM870/DM805-AI |
| 57CM23 | EM3E-556/EM3E-870/EM556S/MX3660/MX4660/EM705/DM556/DM856/DM870/DM805-AI |
| 57CM23-3A | EM3E-542/EM3E-556/EM542S/EM556S/MX3660/MX4660/EM503/EM705/DM556/DM856/DM870/DM805-AI |
| 57CM23-4A | EM3E-556/EM3E-870/EM556S/MX3660/MX4660/EM705/DM556/DM856/DM870/DM805-AI |
| 57CM23-4A-0-I6 | EM3E-556/EM3E-870/EM556S/MX3660/MX4660/EM705/DM556/DM856/DM870/DM805-AI |
| 57CM26 | EM3E-556/EM3E-870/EM556S/MX3660/MX4660/EM705/DM556/DM856/DM870/DM805-AI |
| 57CM26-4A | EM3E-556/EM3E-870/EM556S/MX3660/MX4660/EM705/DM556/DM856/DM870/DM805-AI |
| 57-CM26-4A-0-I6 | EM3E-556/EM3E-870/EM556S/MX3660/MX4660/EM705/DM556/DM856/DM870/DM805-AI |
| D57CM21 | E,3E-556/EM3E-870/EM556S/MX3660/MX4660/EM705/EM806/DM856/DM805-AI |
| D57CM21-4A | EM3E-556/EM3E-870/EM556S/MX3660/MX4660/EM503/EM705/EM806/DM556/DM856/DM870/DM805-AI |



| Model | Matching Drivers |
|-----------------|---|
| D57CM31 | EM3-556/EM3E-870/EM556S/MX3660/MX4660/EM705/EM806/DM856/DM805-AI |
| D57CM31-4A | EM3E-556/EM3E-870/EM556S/MX3660/MX4660/EM503/EM705/EM806/DM556/DM856/DM870/DM805-AI |
| D57CM31-4A-0-I9 | EM3E-556/EM3E-870/EM556S/MX3660/MX4660/EM503/EM705/EM806/DM556/DM856/DM870/DM805-AI |
| 60CM22X | EM3E-556/EM3E-870/EM556S/MX3660/MX4660/EM705/EM806/DM556/DM856/DM870/DM805-AI |
| 60CM30X | EM3E-556/EM3E-870/EM556S/MX3660/MX4660/EM705/EM806/DM556/DM856/DM870/DM805-AI |
| 86CM35 | EM3E-556/EM3E-870/EM556S/MX3660/MX4660/EM705/EM806/DM856/DM870/DM805-AI |
| 86CM45 | EM3E-870/MX3660/MX4660/EM705/EM806/DM856/DM870/DM805-AI |
| 86CM80 | EM3E-870/EM705/EM806/DM870/DM805-AI/DM1182/DM2282 |
| 86CM85 | EM3E-870/EM705/EM806/DM870/DM805-AI/DM1182/DM2282 |
| 86CM120 | EM3E-870/EM705/EM806/DM870/DM805-AI/DM1182/DM2282 |



NEMA 23 2-phase

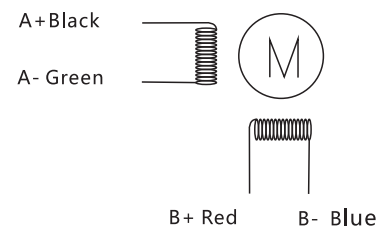
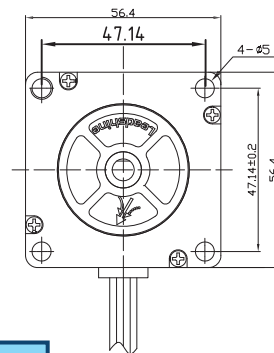
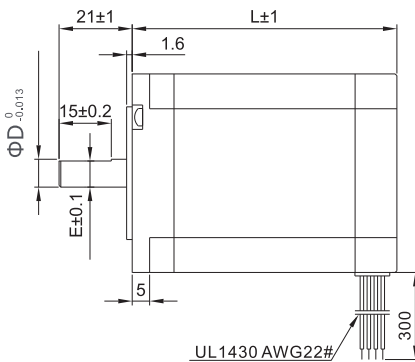
Overview:

CM series NEMA 23 (including the Large NEMA 23) two-phase stepper motor covers multiple types of standard motors from 0.6 N.m to 3.1 N.m, along with the motors with double shafts, brake, and waterproof to apply to various applications.



Standard Models:

| Length (mm) | Model | Holding Torque (N.m) | Rate Current (A) | Resistance/Phase(Ω) | Inductance/Phase(mH) | Detent Torque | Inertia (Kg cm ²) | Matching Drives |
|-------------|-----------|----------------------|------------------|---------------------|----------------------|---------------|-------------------------------|-----------------|
| 41 | 57CM06 | 0.6 | 3 | 0.7 | 1.4 | 0.02 | 0.12 | EM542S |
| 55 | 57CM13-3A | 1.3 | 3 | 0.8 | 2.8 | 0.04 | 0.3 | EM542S |
| | 57CM13 | 1.3 | 4 | 0.42 | 1.6 | | | EM542S/EM556S |
| | 57CM12X | 1.2 | 4 | 0.6 | 1.4 | | | EM542S/EM556S |
| | 57CM21X | 2.1 | 4 | 0.6 | 2.4 | | | EM542S/EM556S |
| 76 | 57CM23-3A | 2.1 | 3 | 1.1 | 4.2 | 0.07 | 0.48 | EM542S |
| | 57CM23-4A | 2.3 | 4 | 0.5 | 2 | | | EM542S/EM556S |
| 76 | 57CM23 | 2.3 | 5 | 0.38 | 1.75 | | | EM556S |
| | 57CM22X | 2.2 | 5 | 0.34 | 1.74 | | | 0.07 |
| 85 | 57CM26-4A | 2.6 | 4 | 0.8 | 3.2 | 0.08 | 0.52 | EM542S/EM556S |
| | 57CM26 | 2.6 | 5 | 0.44 | 2 | | | EM556S/EM870S |

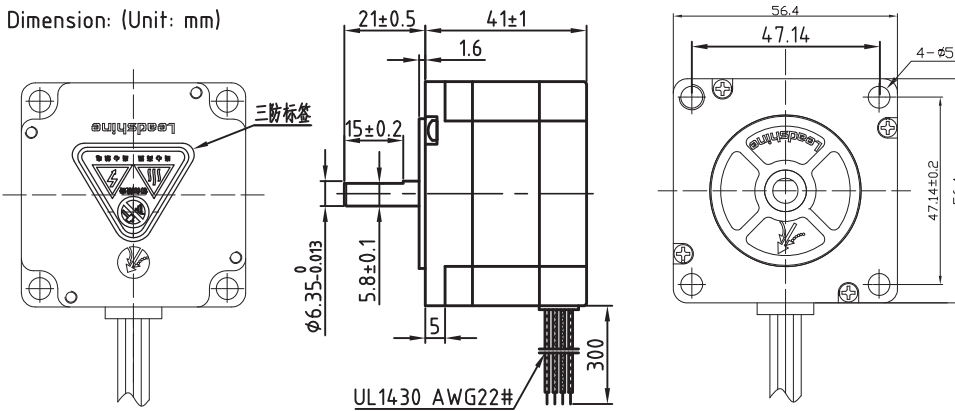


| Model | L(mm) | D(mm) | E(mm) |
|----------------|-------|-------|-------|
| 57CM06 | 41 | 6.35 | 6.85 |
| 57CM13 | 55 | 6.35 | 6.85 |
| 57CM13-3A | 55 | 6.35 | 6.85 |
| 57CM23 | 76 | 8 | 8.5 |
| 57CM23-3A | 76 | 8 | 8.5 |
| 57CM23-4A | 76 | 8 | 8.5 |
| 57CM23-4A-0-16 | 76 | 6.35 | 6.85 |
| 57CM26 | 84 | 8 | 8.5 |
| 57CM26-4A | 84 | 8 | 8.5 |
| 57CM26-4A-0-16 | 84 | 6.35 | 6.85 |

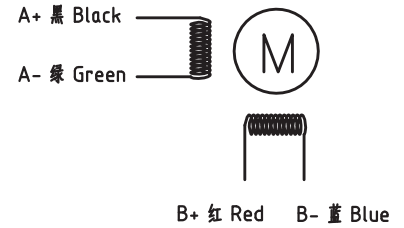


57CM06

Dimension: (Unit: mm)



Motor Connctions:

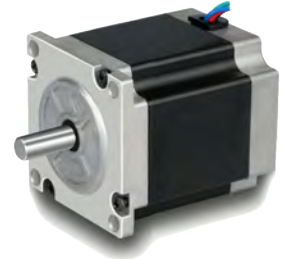


Common Rating

| | |
|-----------------------|-----------------------|
| Step angle | 1.8° |
| Position accuracy | 1.8±0.9° |
| Dielectric strength | 500VAC 1min |
| Insulation resistance | 100MΩ(500VDC) |
| Insulation class | B |
| Temp rise(Max) | 80K |
| Radial play | Max.0.02mm(Load 450g) |
| Axial play | Max.0.08mm(Load 900g) |

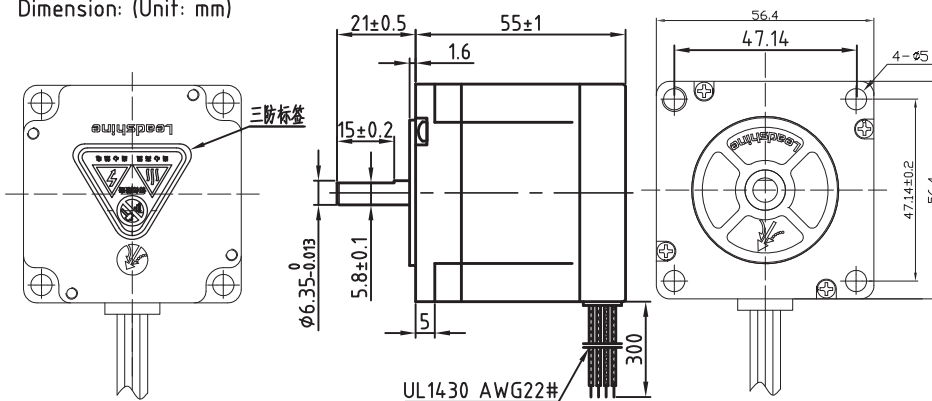
Specification:

| | |
|--------------------------|-------------------------|
| Current/phase | 3.0 A |
| Voltage | 2.1 V |
| DC Resistance/phase ±10% | 0.7 Ω |
| Inductance/phase ±20% | 1.4 mH |
| Holding torque | 0.6 N·M |
| Defent torque | 0.026 N·M |
| Inertia | 0.12 kg·cm ² |
| Weight | 0.45 kg |

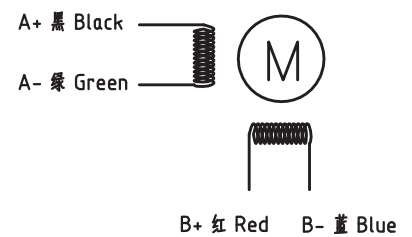


57CM13

Dimension: (Unit: mm)



Motor Connctions:



Common Rating

| | |
|-----------------------|-----------------------|
| Step angle | 1.8° |
| Position accuracy | 1.8±0.9° |
| Dielectric strength | 500VAC 1min |
| Insulation resistance | 100MΩ(500VDC) |
| Insulation class | B |
| Temp rise(Max) | 80K |
| Radial play | Max.0.02mm(Load 450g) |
| Axial play | Max.0.08mm(Load 900g) |

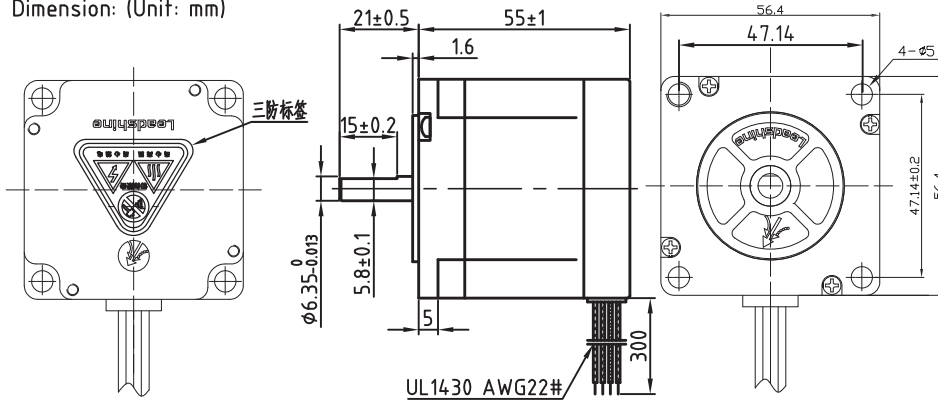
Specification:

| | |
|--------------------------|--------------------------|
| Current/phase | 4.0 A |
| Voltage | 1.68 V |
| DC Resistance/phase ±10% | 0.42 Ω |
| Inductance/phase ±20% | 1.6 mH |
| Holding torque | 1.3 N·M |
| Defent torque | 0.04 N·M |
| Inertia | 0.300 kg·cm ² |
| Weight | 0.7 kg |

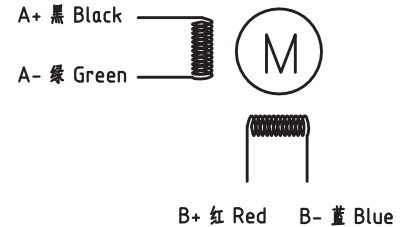


57CM13-3A

Dimension: (Unit: mm)



Motor Connctions:



Common Rating

| | |
|-----------------------|-----------------------|
| Step angle | 1.8° |
| Position accuracy | 1.8±0.9° |
| Dielectric strength | 500VAC 1min |
| Insulation resistance | 100MΩ(500VDC) |
| Insulation class | B |
| Temp rise(Max) | 80K |
| Radial play | Max.0.02mm(Load 450g) |
| Axial play | Max.0.08mm(Load 900g) |

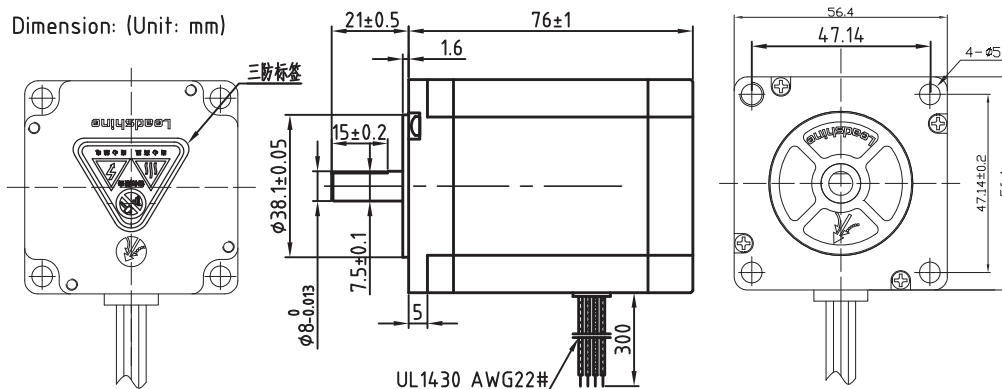
Specification:

| | |
|--------------------------|--------------------------|
| Current/phase | 3.0 A |
| Voltage | 2.4 V |
| DC Resistance/phase ±10% | 0.8 Ω |
| Inductance/phase ±20% | 2.8 mH |
| Holding torque | 1.3 N·M |
| Detent torque | 0.04 N·M |
| Inertia | 0.300 kg·cm ² |
| Weight | 0.7 kg |

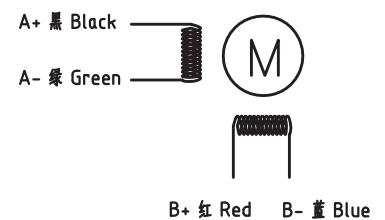


57CM23

Dimension: (Unit: mm)



Motor Connctions:



Common Rating

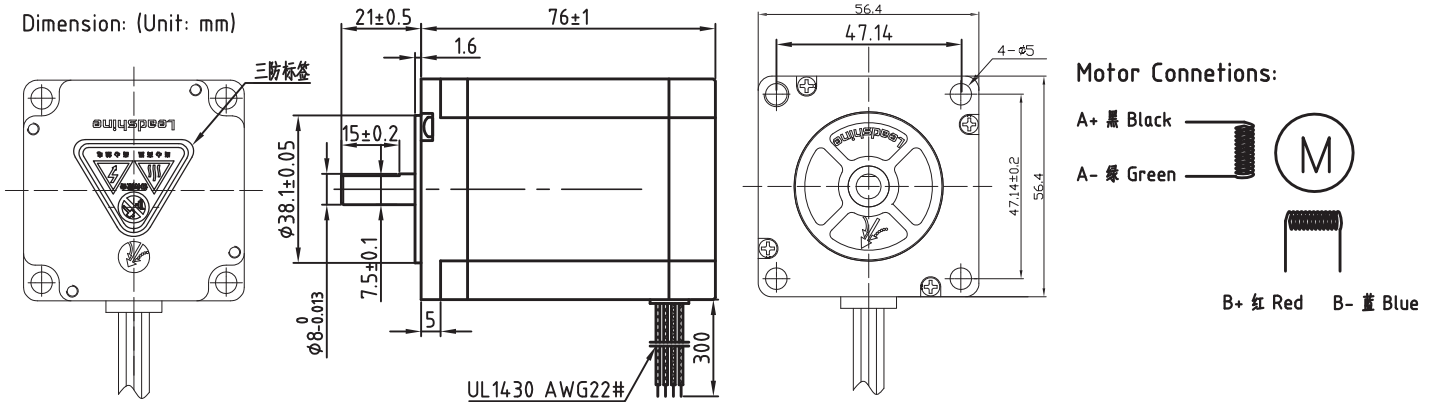
| | |
|-----------------------|-----------------------|
| Step angle | 1.8° |
| Position accuracy | 1.8±0.9° |
| Dielectric strength | 500VAC 1min |
| Insulation resistance | 100MΩ(500VDC) |
| Insulation class | B |
| Temp rise(Max) | 80K |
| Radial play | Max.0.02mm(Load 450g) |
| Axial play | Max.0.08mm(Load 900g) |

Specification:

| | |
|--------------------------|--------------------------|
| Current/phase | 5.0 A |
| Voltage | 1.9 V |
| DC Resistance/phase ±10% | 0.38 Ω |
| Inductance/phase ±20% | 1.75 mH |
| Holding torque | 2.3 N·M |
| Detent torque | 0.068 N·M |
| Inertia | 0.480 kg·cm ² |
| Weight | 1.1 kg |



57CM23-3A



Common Rating

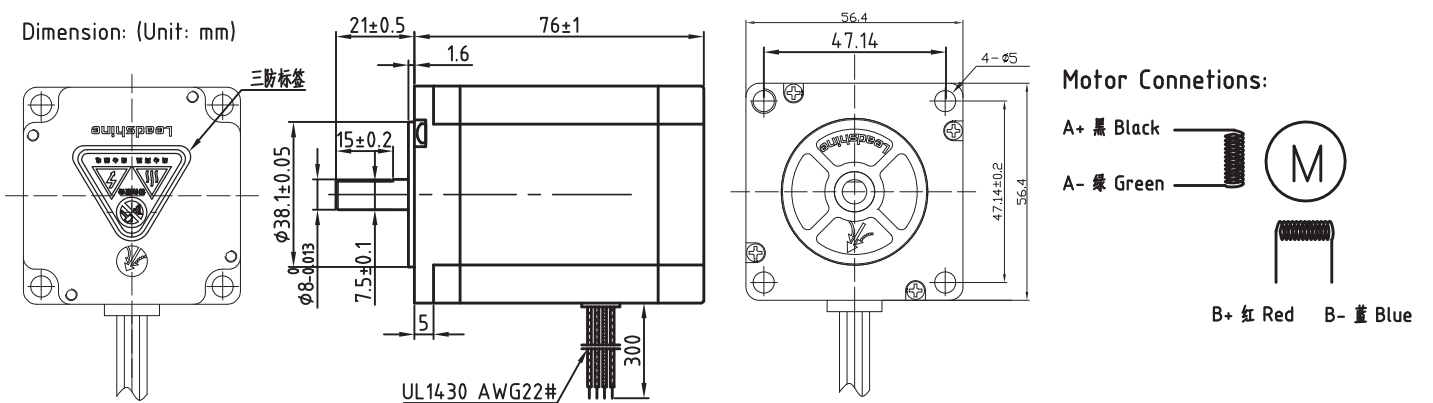
| | |
|-----------------------|-----------------------|
| Step angle | 1.8° |
| Position accuracy | 1.8±0.9° |
| Dielectric strength | 500VAC 1min |
| Insulation resistance | 100MΩhm(500VDC) |
| Insulation class | B |
| Temp rise(Max) | 80K |
| Radial play | Max.0.02mm(Load 450g) |
| Axial play | Max.0.08mm(Load 900g) |

Specification:

| | |
|--------------------------|--------------------------|
| Current/phase | 3.0 A |
| Voltage | 3.6 V |
| DC Resistance/phase ±10% | 1.2 Ω |
| Inductance/phase ±20% | 4 mH |
| Holding torque | 2.3 N·M |
| Defent torque | 0.068 N·M |
| Inertia | 0.480 kg·cm ² |
| Weight | 1.1 kg |



57CM23-4A

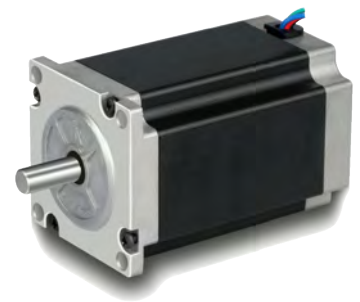


Common Rating

| | |
|-----------------------|-----------------------|
| Step angle | 1.8° |
| Position accuracy | 1.8±0.9° |
| Dielectric strength | 500VAC 1min |
| Insulation resistance | 100MΩhm(500VDC) |
| Insulation class | B |
| Temp rise(Max) | 80K |
| Radial play | Max.0.02mm(Load 450g) |
| Axial play | Max.0.08mm(Load 900g) |

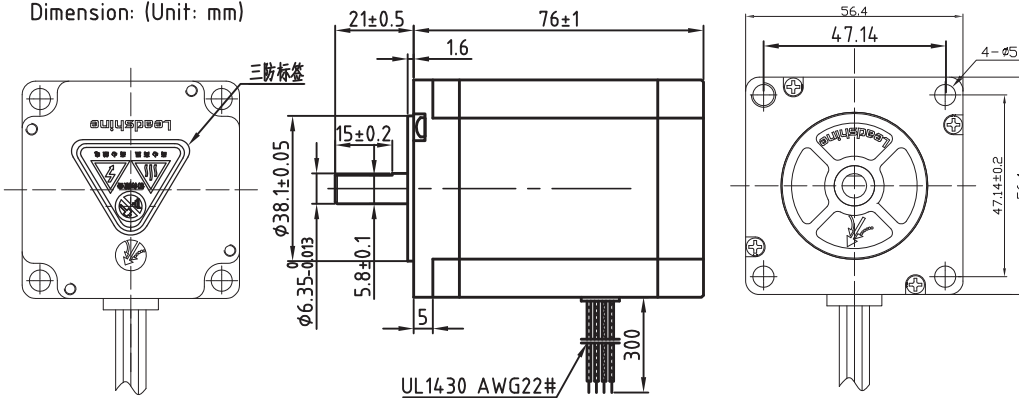
Specification:

| | |
|--------------------------|--------------------------|
| Current/phase | 4.0 A |
| Voltage | 2.0 V |
| DC Resistance/phase ±10% | 0.5 Ω |
| Inductance/phase ±20% | 2.0 mH |
| Holding torque | 2.3 N·M |
| Defent torque | 0.068 N·M |
| Inertia | 0.480 kg·cm ² |
| Weight | 1.1 kg |

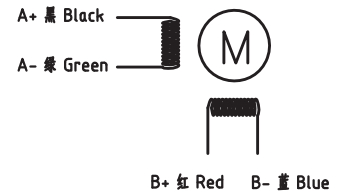


57CM23-4A-0-16

Dimension: (Unit: mm)



Motor Connctions:



Common Rating

| | |
|-----------------------|-----------------------|
| Step angle | 1.8° |
| Position accuracy | 1.8±0.9° |
| Dielectric strength | 500VAC 1min |
| Insulation resistance | 100MΩhm(500VDC) |
| Insulation class | B |
| Temp rise(Max) | 80K |
| Radial play | Max.0.02mm(Load 450g) |
| Axial play | Max.0.08mm(Load 900g) |

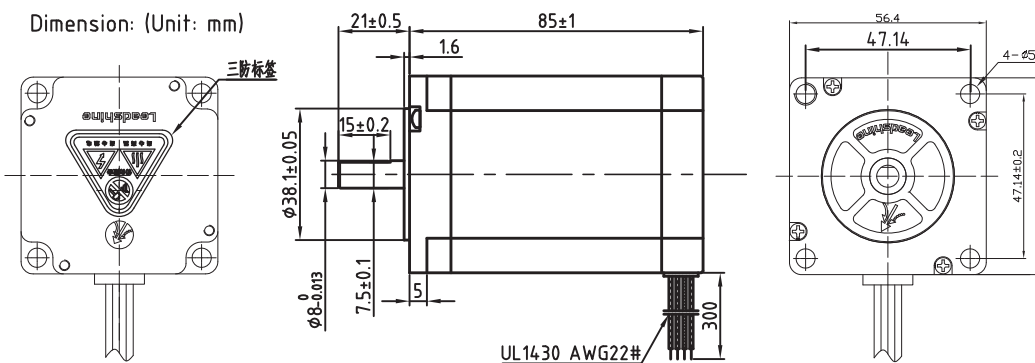
Specification:

| | |
|--------------------------|--------------------------|
| Current/phase | 4.0 A |
| Voltage | 2.0 V |
| DC Resistance/phase ±10% | 0.5 Ω |
| Inductance/phase ±20% | 2.0 mH |
| Holding torque | 2.3 N·M |
| Detent torque | 0.068 N·M |
| Inertia | 0.480 kg·cm ² |
| Weight | 1.1 kg |

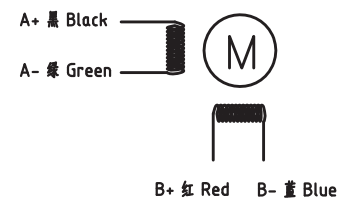


57CM26

Dimension: (Unit: mm)



Motor Connctions:



Common Rating

| | |
|-----------------------|-----------------------|
| Step angle | 1.8° |
| Position accuracy | 1.8±0.9° |
| Dielectric strength | 500VAC 1min |
| Insulation resistance | 100MΩhm(500VDC) |
| Insulation class | B |
| Temp rise(Max) | 80K |
| Radial play | Max.0.02mm(Load 450g) |
| Axial play | Max.0.08mm(Load 900g) |

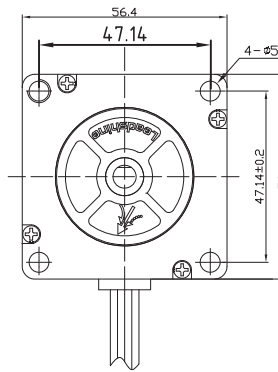
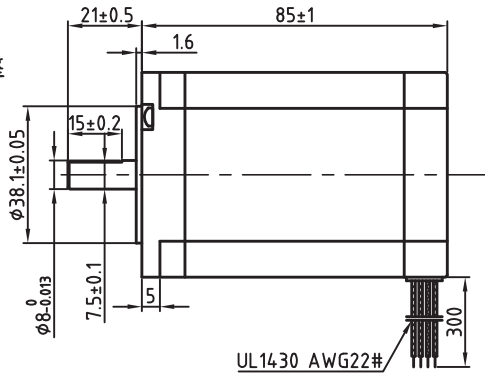
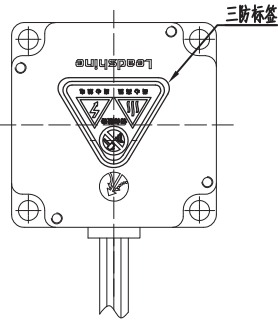
Specification:

| | |
|--------------------------|-------------------------|
| Current/phase | 5.0 A |
| Voltage | 2.2 V |
| DC Resistance/phase ±10% | 0.44 Ω |
| Inductance/phase ±20% | 2.0 mH |
| Holding torque | 2.6 N·M |
| Detent torque | 0.068 N·M |
| Inertia | 0.52 kg·cm ² |
| Weight | 1.4 kg |

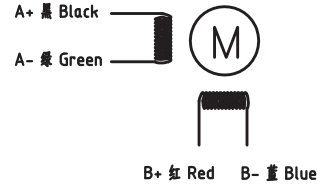


57CM26-4A

Dimension: (Unit: mm)



Motor Connctions:



Common Rating

| | |
|-----------------------|-----------------------|
| Step angle | 1.8° |
| Position accuracy | 1.8±0.9° |
| Dielectric strength | 500VAC 1min |
| Insulation resistance | 100MΩ(500VDC) |
| Insulation class | B |
| Temp rise(Max) | 80K |
| Radial play | Max.0.02mm(Load 450g) |
| Axial play | Max.0.08mm(Load 900g) |

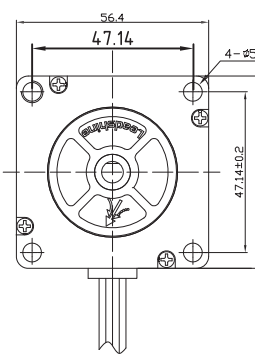
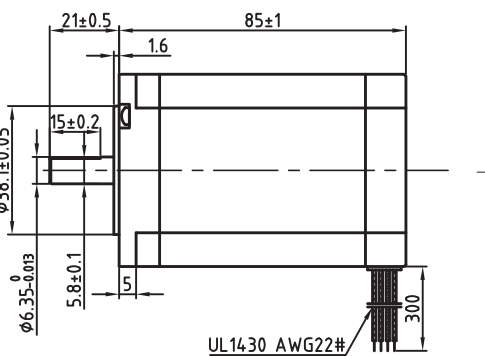
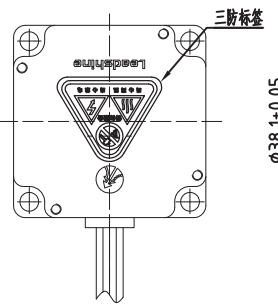
Specification:

| | |
|--------------------------|-------------------------|
| Current/phase | 4.0 A |
| Voltage | 3.2 V |
| DC Resistance/phase ±10% | 0.8 Ω |
| Inductance/phase ±20% | 3.2 mH |
| Holding torque | 2.6 N·M |
| Detent torque | 0.068 N·M |
| Inertia | 0.52 kg·cm ² |
| Weight | 1.4 kg |

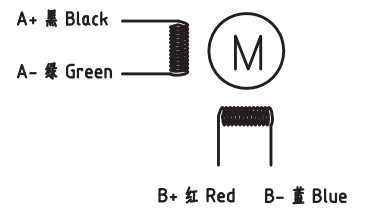


57CM26-4A-0-16

Dimension: (Unit: mm)



Motor Connctions:



Common Rating

| | |
|-----------------------|-----------------------|
| Step angle | 1.8° |
| Position accuracy | 1.8±0.9° |
| Dielectric strength | 500VAC 1min |
| Insulation resistance | 100MΩ(500VDC) |
| Insulation class | B |
| Temp rise(Max) | 80K |
| Radial play | Max.0.02mm(Load 450g) |
| Axial play | Max.0.08mm(Load 900g) |

Specification:

| | |
|--------------------------|-------------------------|
| Current/phase | 4.0 A |
| Voltage | 3.2 V |
| DC Resistance/phase ±10% | 0.8 Ω |
| Inductance/phase ±20% | 3.2 mH |
| Holding torque | 2.6 N·M |
| Detent torque | 0.068 N·M |
| Inertia | 0.52 kg·cm ² |
| Weight | 1.4 kg |

