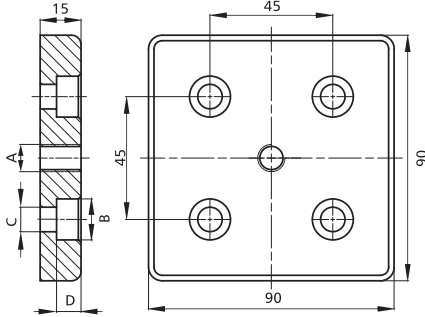


## Alu Profile Accessories/Connectors/End Connectors



Item No.	A	B	C	D	Material	Finish	PCS/CTN	KGS/CTN	CTN SIZE(mm)
K9090-4-4	M8	Φ 15.5	Φ9(M8)	9	Die-Cast Alu	Dull Polished	35	8.20	225*170*180
K9090-4-5	M10						35	8.10	225*170*180
K9090-4-6	M12						35	8.00	225*170*180
K9090-4-7	M14						35	7.95	225*170*180
K9090-4-8	M16						35	7.85	225*170*180
K9090-6-4	M8	Φ20	Φ13(M12)	8.5	Die-Cast Alu	Dull Polished	35	7.70	225*170*180
K9090-6-5	M10						35	7.65	225*170*180
K9090-6-6	M12						35	7.60	225*170*180
K9090-6-7	M14						35	7.55	225*170*180
K9090-6-8	M16						35	7.50	225*170*180

