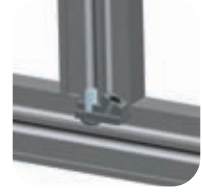
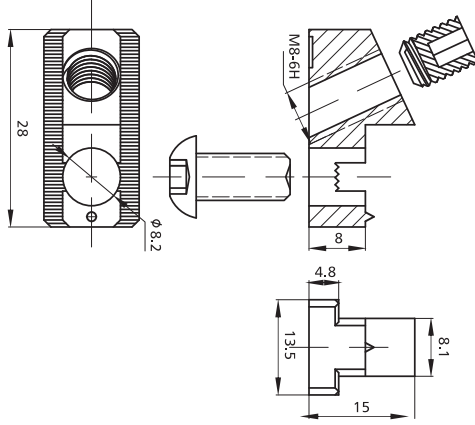


Alu Profile Accessories/Connectors/Inner Connectors



Slot	Item No.	Material	Finish	Max.Torque	PCS/CTN	KGS/CTN	CTN SIZE (mm)
8	2060-4	Powder Metallurgy	Grey	10 N·m	500	14.10	225*170*180
8 NEW	2060-4S	Steel	Zinc Blue	15 N·m	500	14.8	225*170*180

