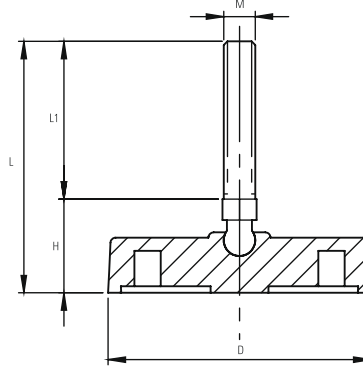


## EP100 SERIES (13 SW) Ø100 Polyamide Articulated Feet

CODE	D (mm)	M	L (mm)	L1 (mm)	H (mm)	Load kg / pcs
EP10 0845	100	M8x45	85	45	40	800
EP10 0860	100	M8x60	100	60	40	800
EP10 1045	100	M10x45	85	45	40	800
EP10 1060	100	M10x60	100	60	40	800
EP10 1075	100	M10x75	115	75	40	800
EP10 1090	100	M10x90	130	90	40	800
EP10 1012	100	M10x120	160	120	40	800
EP10 1245	100	M12x45	85	45	40	800
EP10 1260	100	M12x60	100	60	40	800
EP10 1275	100	M12x75	115	75	40	800
EP10 1290	100	M12x90	130	90	40	800
EP10 1212	100	M12x120	160	120	40	800



(Floor Mount Option)

