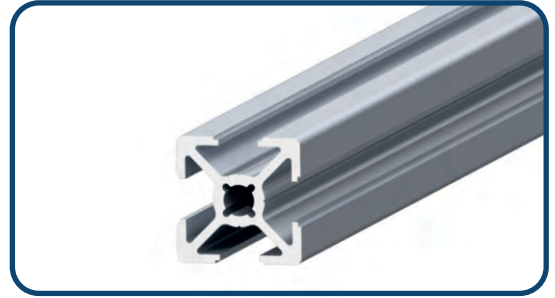
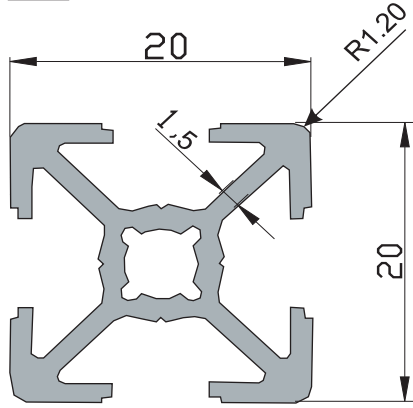
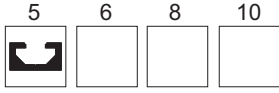


## OBC-20\*20



Part No.	Wy cm <sup>3</sup>	Wx cm <sup>3</sup>	Ly cm <sup>4</sup>	Lx cm <sup>4</sup>	L mm	coating	Material	Area cm <sup>2</sup>	Weight kg/m
OBC-20*20	0.61	0.61	0.61	0.61	6000	Anodizad	AL-6063	1.42	0.32

L(Standard) : 6050 mm



