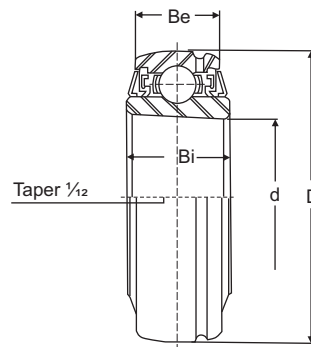


## UK X

Ball Bearings (with adapter mounted)  
(normal-dury)



TRL type seal



SR type seal

Bearing No.	Bore Dia of Bearing	Dimensions (mm)			Basic Load Rating kg.	Basic Load Rating kg.	Weight kg.
	d (mm)	D	Bi	Be			
UK X05	25	62	26	19	1950	1130	0.27
UK X06	30	72	27	20	2570	1540	0.43
UK X07	35	80	29	21	3270	1790	0.53
UK X08	40	85	30	22	3510	2040	0.58
UK X09	45	90	31	23	3510	2320	0.67
UK X10	50	100	33	25	4330	2940	0.89
UK X11	55	110	36	26	5240	3610	1.15
UK X12	60	120	38	28	5720	4000	1.45
UK X13	65	125	40	29	6220	4400	1.62
UK X15	75	140	44	32	7260	5300	2.10
UK X16	80	150	46	34	8390	6180	2.64
UK X17	85	160	48	36	9600	7140	3.25
UK X18	90	170	50	40	10900	8170	3.80
UK X20	100	190	54	43	13300	10500	5.36

