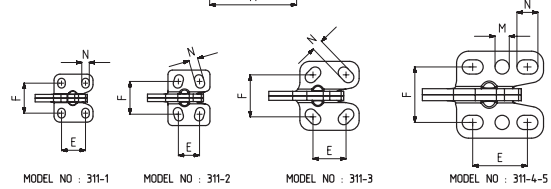
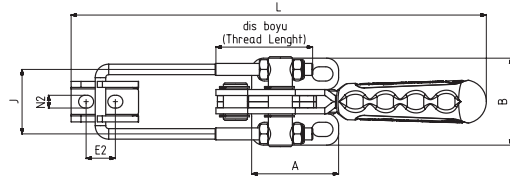
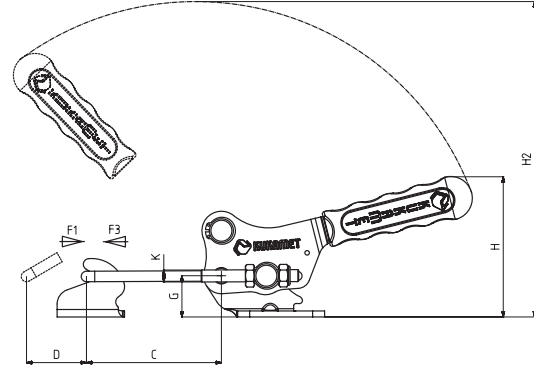




## Latch Toggle Clamps With U Hook

MODEL NO	(STAINLESS)	(BLACK)	F1 (N)	F3 (N)	STROK (DIŞ BOYU) (STROKE) (thread length)	(WEIGHT) (gr)
311-1	S 311 - ....	B 311 - ....	1000	1500	45	135
311-2	S 311 - ....	B 311 - ....	1500	2000	45	175
311-3	S 311 - ....	B 311 - ....	2200	3200	75	335
311-4	S 311 - ....	B 311 - ....	7000	8000	95	815
311-5	S 311 - ....	B 311 - ....	10000	11000	110	1185

F1 : BASKI KUVVETİ ( EXERTING FORCE ), F3 : TUTMA KAPASİTESİ ( HOLDING CAPACITY )  
Paslanmaz U Kancalı ürünlerin çekme kuvvetleri %30 daha azdır. ( Stainless stell latch clamp's tensile strength are %30 more less )



## Body Mounting Base Horizontal



MODEL NO	A	B	C min.	C max.	D	E	E2	F	G	H	H2	J	K	L min.	L max.	M	N	N2
311-1	26	32	35	65	20	16	10	18,5 - 21,5	13	55	110	23	M4	135	165		5x6,5	Ø 5
311-2	28	37	32	62	25	13 - 15	10 - 14	19 - 24,5	17	58	120	23	M4	142	172		6 x 9	5,5 x 7,5
311-3	39,5	46	32	67	35	19 - 25	16	25 - 31	21,5	67	160	30	M 6	177	212		7,5x11,5	Ø 6,5
311-4	58	58	45	95	44	32 - 41	18 - 21	37	27,5	91	200	43	M8	233	282	Ø 9,5	9,5x14	8,5x10
311-5	58	58	45	127	44	32 - 41	18 - 21	37	27,5	93,5	204,5	45	M10	233	315	Ø 9,5	9,5x14	8,5x10

C Dimension is for short U Hook. Please See Accessories Page.



تلفن : (021) 33913364 - 33951660

فکس : (021) 33985603