

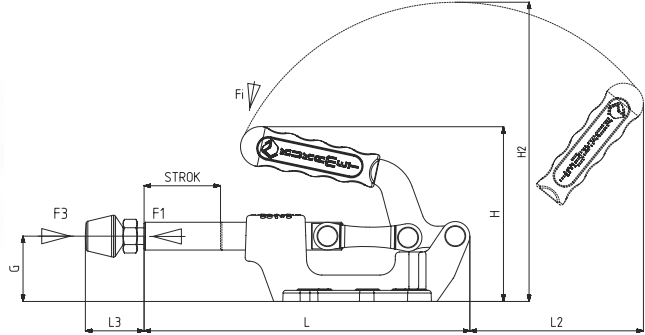
531



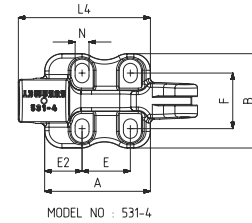
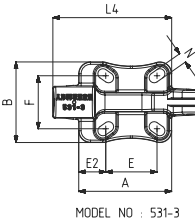
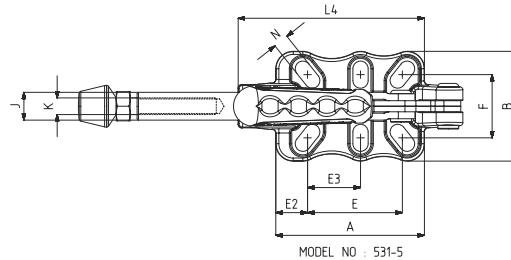
Straight Line Push-Pull Type Toggle Clamps

MODEL NO	F1 (N)	F3 (N)	Fi	BASKI VIDASI (SQUEEZE SCREW)	STROK	(WEIGHT) (gr)
			VERİM (YIELD) (F1:Fi)			
531 - 3 (Ø 12)	2500	3700	16:1	M8X50	38	635
531 - 3 (Ø 14)	2500	4000	16:1	M8X50	38	645
531 - 4 (Ø 16)	4500	8100	23:1	M10X70	47	1140
531 - 4 (Ø 18)	4500	8800	23:1	M10X70	47	1150
531 - 5 (Ø 20)	7500	18450	30:1	M12X80	55	1835

F1 : BASKI KUVVETİ (EXERTING FORCE) , F3 : TUTMA KAPASİTESİ (HOLDING CAPACITY)
Fi : UYGULAMA KUVVETİ (APPLIED FORCE)



Body Mounting Base Horizontal, Casting

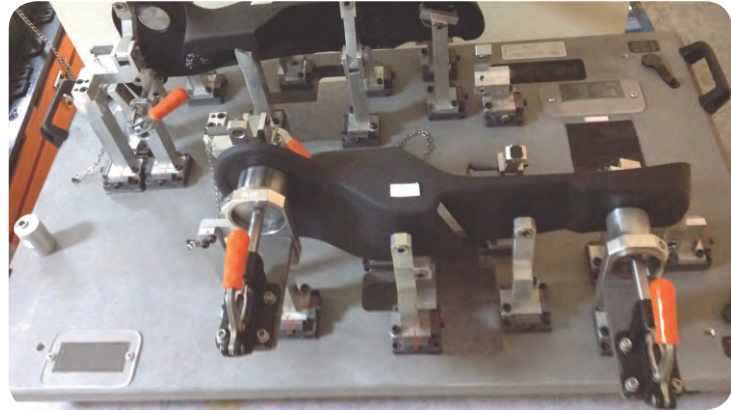


Product Features ;

The products are strong and suited for heavy duty applications.

The body is made of strong GGG-60 casting and coated with black electrostatic powder paint.

The rod is made of hard chrome plated steel for high wear and corrosion resistance and the mechanism parts are made of galvanized steel for corrosion resistance.



MODEL NO	A	B	C	D	E	E2	E3	F	G	H	H2	J	K	L	L2	L3 Min	L3 Max	L4	M	N
531 - 3 (Ø 12)	67	58			32,5 - 41	17,5 - 21,5		35 - 41	32	88	142	12	M8	155	85	24	58	85,5		7 x 12
531 - 3 (Ø 14)	67	58			32,5 - 41	17,5 - 21,5		35 - 41	32	88	142	14	M8	155	85	24	58	85,5		7 x 12
531 - 4 (Ø 16)	76	68			34,5	27		36 - 44	39	107	179	16	M10	187	105	32	81	95		10 x 14
531 - 4 (Ø 18)	76	68			34,5	27		36 - 44	39	107	179	18	M10	187	105	32	81	95		10 x 14
531 - 5 (Ø 20)	107	79			61,5 - 75	19,5 - 26	34,5 - 41,5	37 - 54	47	125	216	20	M12	235	125	39	94	134		11 x 22



تلفن : (021) 33913364 - 33951660

فکس : (021) 33985603