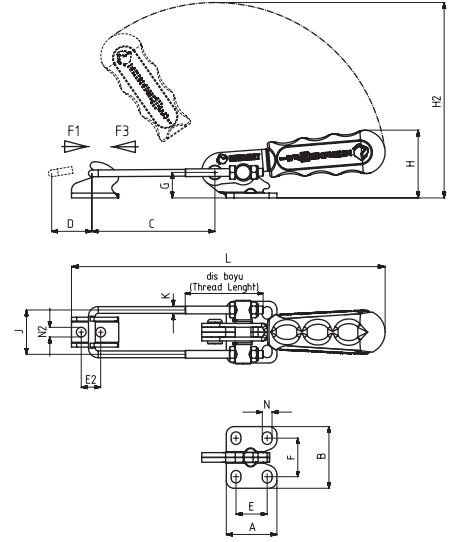
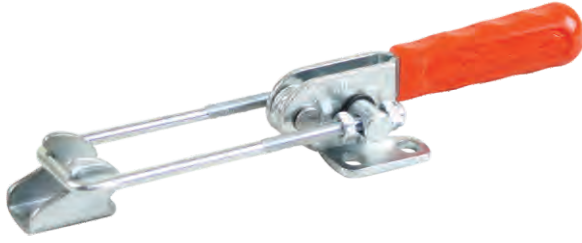




Latch Toggle Clamps With U Hook

MODEL NO	(STAINLESS)	SİYAH (BLACK)	F1 (N)	F3 (N)	STROK (DIŞ BOYU) (STROKE) (thread length)	(WEIGHT) (gr)
321-1	S 321 -	B 321 -	1000	1500	45	115

F1 : BASKI KUVVETİ (EXERTING FORCE), F3 : TUTMA KAPASİTESİ (HOLDING CAPACITY)
Paslanmaz U Kancalı ürünlerin çekme kuvvetleri %30 daha azdır. (Stainless stell latch clamp's tensile strength are %30 more less)



Body Mounting Base Horizontal

MODEL NO	A	B	C min.	C max.	D	E	E2	F	G	H	H2	J	K	L min.	L max.	M	N	N2
321-1	26	32	35	65	20	16	10	18,5-21,5	13	33	99	23	M4	135	165		5x6,5	Ø 5

