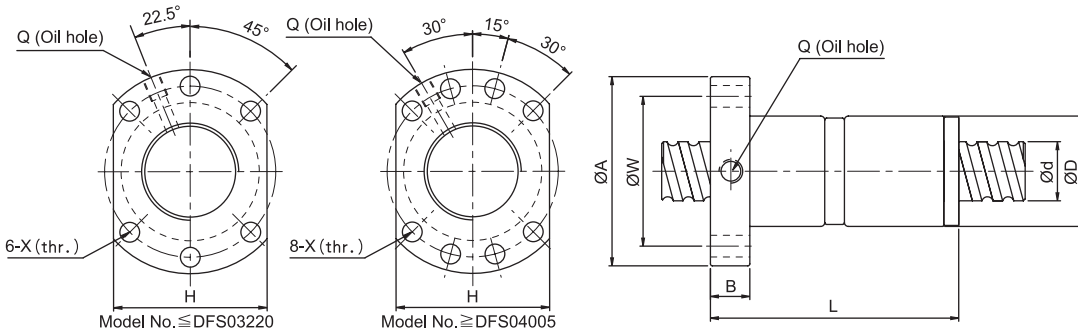


DFS (DIN 69051 FORM B) Series Specifications

کاتالوگ ۲۰۱۷



I: Lead Da: Ball Dia. n: Number of Circuits K: Stiffness (Kgf/μm)

Ca: Basic Dynamic Rating Load (Kgf) Coa: Basic Static Rating Load(Kgf)

Unit : mm

| Model No. | Dimensions | | | | | | | | | | | | | | | |
|--------------|------------|----|-------|------|-----|-----|-----|-----|-----|------|----|-------|-------|-------|-------|-----|
| | d | I | Da | D | A | B | L | W | H | X | Q | n | Ca | Coa | K | |
| DFS01605-3.8 | 15 | 5 | 2.778 | 28 | 48 | 10 | 73 | 38 | 40 | 5.5 | M6 | 3.8x1 | 1112 | 2507 | 41 | |
| DFS01610-2.8 | | 10 | 2.778 | 28 | 48 | 10 | 97 | 38 | 40 | 5.5 | M6 | 2.8x1 | 839 | 1821 | 31 | |
| DFS02005-3.8 | 20 | 5 | 3.175 | 36 | 58 | 10 | 75 | 47 | 44 | 6.6 | M6 | 3.8x1 | 1484 | 3681 | 50 | |
| DFS02006-4.8 | | 6 | 3.175 | 36 | 58 | 10 | 98 | 47 | 44 | 6.6 | M6 | 4.8x1 | 1811 | 4644 | 63 | |
| DFS02008-4.8 | | 8 | 3.175 | 36 | 58 | 10 | 116 | 47 | 44 | 6.6 | M6 | 4.8x1 | 1863 | 4861 | 66 | |
| DFS02010-3.8 | | 10 | 3.175 | 36 | 58 | 10 | 120 | 47 | 44 | 6.6 | M6 | 3.8x1 | 1516 | 3833 | 53 | |
| DFS02505-3.8 | 25 | 5 | 3.175 | 40 | 62 | 10 | 75 | 51 | 48 | 6.6 | M6 | 3.8x1 | 1650 | 4658 | 59 | |
| DFS02506-4.8 | | 6 | 3.175 | 40 | 62 | 10 | 98 | 51 | 48 | 6.6 | M6 | 4.8x1 | 2015 | 5879 | 75 | |
| DFS02508-4.8 | | 8 | 3.175 | 40 | 62 | 10 | 116 | 51 | 48 | 6.6 | M6 | 4.8x1 | 2009 | 5867 | 76 | |
| DFS02510-3.8 | | 10 | 3.175 | 40 | 62 | 12 | 122 | 51 | 48 | 6.6 | M6 | 3.8x1 | 1638 | 4633 | 61 | |
| DFS03205-3.8 | 32 | 5 | 3.175 | 50 | 80 | 12 | 82 | 65 | 62 | 9 | M6 | 3.8x1 | 1839 | 6026 | 71 | |
| DFS03206-4.8 | | 6 | 3.175 | 50 | 80 | 12 | 99 | 65 | 62 | 9 | M6 | 4.8x1 | 2247 | 7608 | 90 | |
| DFS03208-4.8 | 31 | 8 | 3.969 | 50 | 80 | 12 | 126 | 65 | 62 | 9 | M6 | 4.8x1 | 3015 | 9181 | 92 | |
| DFS03210-3.8 | | 10 | 3.969 | 50 | 80 | 13 | 122 | 65 | 62 | 9 | M6 | 3.8x1 | 2460 | 7255 | 75 | |
| DFS03220-2.8 | | 20 | 3.969 | 50 | 80 | 12 | 160 | 65 | 62 | 9 | M6 | 2.8x1 | 1907 | 5482 | 58 | |
| DFS04005-3.8 | 40 | 5 | 3.175 | 63 | 93 | 15 | 85 | 78 | 70 | 9 | M8 | 3.8x1 | 2018 | 7589 | 83 | |
| DFS04006-4.8 | | 6 | 3.175 | 63 | 93 | 14 | 98 | 78 | 70 | 9 | M6 | 4.8x1 | 2467 | 9583 | 106 | |
| DFS04008-4.8 | | 8 | 3.969 | 63 | 93 | 14 | 125 | 78 | 70 | 9 | M6 | 4.8x1 | 3327 | 11491 | 110 | |
| DFS04010-3.8 | 38 | 10 | 6.35 | 63 | 93 | 14 | 123 | 78 | 70 | 9 | M8 | 3.8x1 | 5035 | 13943 | 91 | |
| DFS04020-2.8 | | 20 | 6.35 | 63 | 93 | 14 | 162 | 78 | 70 | 9 | M8 | 2.8x1 | 3959 | 10715 | 73 | |
| DFS05005-3.8 | 50 | 5 | 3.175 | 75 | 110 | 15 | 85 | 93 | 85 | 11 | M8 | 3.8x1 | 2207 | 9542 | 96 | |
| DFS05010-3.8 | | 10 | 6.35 | 75 | 110 | 18 | 138 | 93 | 85 | 11 | M8 | 3.8x1 | 5638 | 17852 | 109 | |
| DFS05012-3.8 | | 48 | 12 | 6.35 | 75 | 110 | 18 | 147 | 93 | 85 | 11 | M8 | 3.8x1 | 5632 | 17836 | 110 |
| DFS05020-3.8 | | | 20 | 6.35 | 75 | 110 | 18 | 218 | 93 | 85 | 11 | M8 | 3.8x1 | 5749 | 18485 | 116 |
| DFS06310-3.8 | 61 | 10 | 6.35 | 90 | 125 | 18 | 140 | 108 | 95 | 11 | M8 | 3.8x1 | 6343 | 23308 | 130 | |
| DFS06316-3.8 | | 16 | 6.35 | 90 | 125 | 18 | 191 | 108 | 95 | 13.5 | M8 | 3.8x1 | 6327 | 23262 | 136 | |
| DFS06320-3.8 | | 20 | 7.144 | 95 | 135 | 20 | 226 | 115 | 100 | 13.5 | M8 | 3.8x1 | 7493 | 26424 | 142 | |
| DFS08010-3.8 | 77 | 10 | 6.35 | 105 | 145 | 20 | 140 | 125 | 110 | 13.5 | M8 | 3.8x1 | 6980 | 29563 | 149 | |
| DFS08020-3.8 | | 20 | 9.525 | 125 | 165 | 25 | 230 | 145 | 130 | 13.5 | M8 | 3.8x1 | 12145 | 43598 | 174 | |
| DFS10020-3.8 | 96 | 20 | 12.7 | 150 | 202 | 30 | 244 | 176 | 155 | 17.5 | M8 | 3.8x1 | 19633 | 71408 | 208 | |

Note: with sign ★ can be produced in left helix

